

LUNE™

Solar Wall Pack



The LUNE Solar Security Light is Foldable, adjustable, Ultra-thin, split and integrated selectable functions, super flexible. High performing 950LM bright LED's in 4000K color temperature is perfect for residential and commercial application.



- 7 in 1 installation integrated wall mounting, split wall mounting, portable, handing, magnet adsorption & standing installation
- Solar panel is 180 degree vertically and 360 degree horizontally adjustable, tool-free to set for best solar charging in different locations.
- The lighting direction is fully adjustable to 180 degrees, making it simple to achieve the desired lighting direction or area.
- Monocrystalline solar panel with tempered glass, high efficiency of 21%, rapid solar charging, and a lifespan of 20 years.
- Large capacity battery with protection against overcharging and over discharging, safe and durable.
- Detective with digital PIR sensor, 120 detective, high sensitivity.
- By optical design, this ultra-bright 950LM lamp has two distinct work modes for a variety of applications and weather conditions.
- IP65 rated
- 1 Year limited warranty



IEC62471



BEYOND
SOLAR



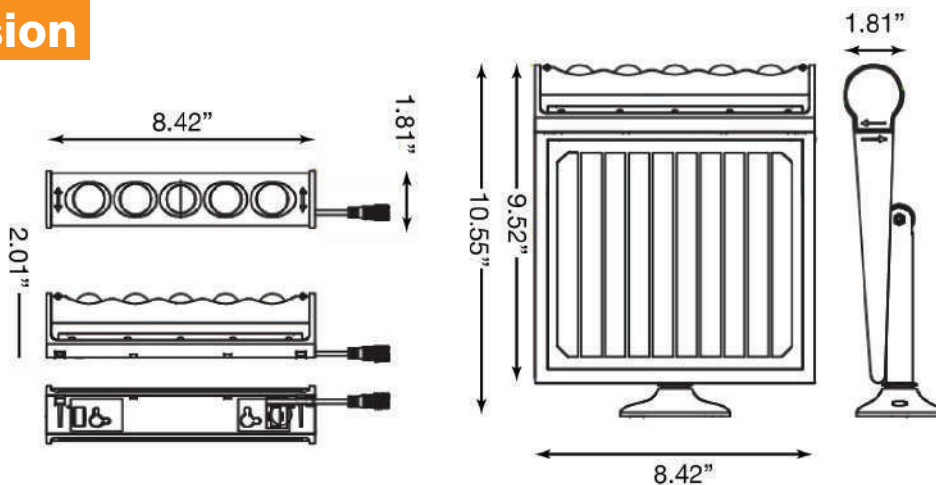
LUNE™ Solar Wall Pack

Specifications

Model #	SKU #	Power	PV Type	Solar Panel	Lithium Battery	Lumens	CCT	Sensor	Beam Angle	IP Rating
AVS-SLS-8W4	790107	8W	MONO	4.5W	4000 mAh	950 LM	4000K	PIR MOTION	120°	IP65

Model #.	AVS-SLS-8W4	Dimension	10.54 x 8.42 x 2.99 (Inches)
Power	8W	Lumens	950LM (Clear Lens)
Solar Panel	4.5Wp, 5.5V Mono with Tempered Glass	Battery Pack	18650/4000mAh/3.7V/14.8Wh, replaceable
LED Type	SMD2835*64pcs	CCT	4000K
Beam Angle	120°	RIP Sensor Range	Detection angle: 120° Detection area: 24ft
Charging Time By Solar	5~6 hours strong sunshine to fully charge	Lighting Time	Mode A: 3~5 Nights Mode B: 2~3 Nights
IP Class	IP65	Working Temp	-4F - 122F
Solar Panel Cable	9.8ft long	Housing Material	ABS+PC housing, Anti-UV, V0 material for fire-proof
Installation Height	Less than 13ft	Warranty	2 years(battery 1 year warranty)
Packing	Colorbox (1PC * Lamp, 2PCS * Screws with Flat & Spring Washers, 2PCS * Screws, 2PCS * Tape, 1PC*User Manual)		

Dimension



IEC62471



BEYOND
SOLAR



LUNE™ Solar Wall Pack

Geometric Smart Design



Geometric

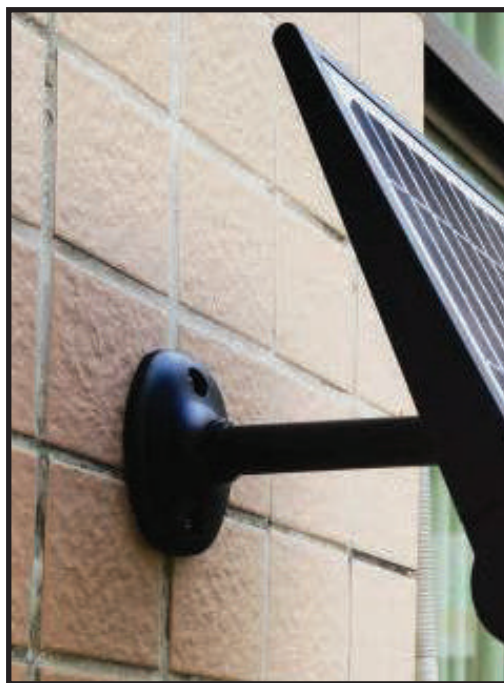


Foldable



Ultra-thin

Adjustable Bracket



IEC62471



BEYOND
SOLAR



LUNE™ Solar Wall Pack

Multifunctional With Different Working Modes



Please rotate the lamp head and press the button to select working mode.

1. Press the button 1st time, the lamp turns on and enter Mode A.
2. Press the button 2nd time, lamp shines once and turns to Mode B.
3. Press the button 3rd time, lamp turns off



Mode A

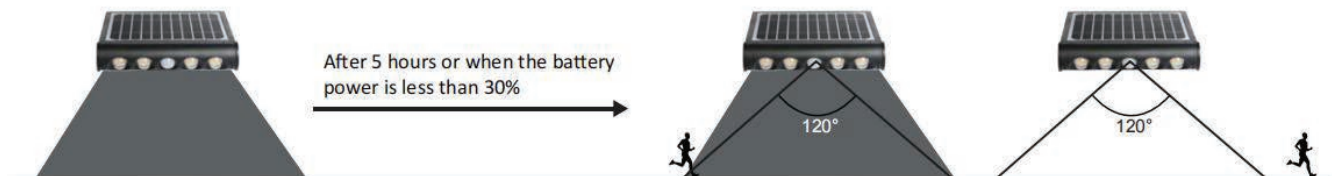
When battery power is more than 30% :
Lamp automatically lights up at night and turns to 100% brightness when motion is detected in the range ≤ 8 mtrs, then dim to 5% brightness after 20 seconds of no motion.



When battery power is less than 30%:

Lamp automatically lights up at night and turns to full brightness when motion is detected in the range ≤ 8 mtrs and then turn off after 20 seconds of no motion

Mode B



Lamp automatically light up at night and keep 100% brightness, after 5 hours or when battery capacity is less than 30%, lamp turns to energy saving mode: Lamp automatically turns to 100% brightness when motion is detected in the range ≤ 8 mtrs, then turns off after 10 seconds of no motion

Kind Remind: When the lamp is not connected with solar panel, the light sensor



IEC62471

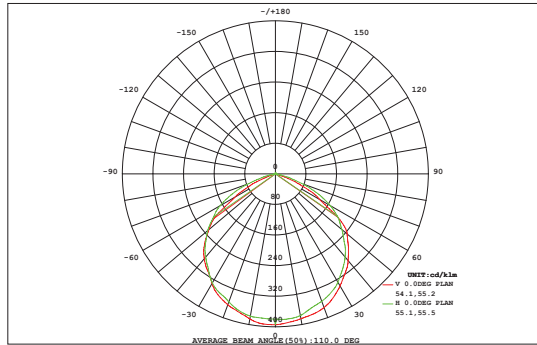


LUNE™ Solar Wall Pack

GONIOPHOTOMETERS SYSTEM TEST REPORT

LUMINAIRE PHOTOMETRIC TEST REPORT

Test:U:0V I:0A P:0W PF:0 Freq:0Hz Lamp Flux:911.175x1 lm		
NAME: Solar LED Security Light	TYPE:Talent	WEIGHT:
SPEC.:	DIM.:	SERIAL No.:
MFR.:	SUR.:	Shielding Angle:



DATA OF LAMP		PHOTOMETRIC DATA	
MODEL	LD-SSL-8W-Talent	Imax (cd/klm)	394.3
NOMINAL POWER (W)	8	AVAILABILITY (%)	96.9
RATED VOLTAGE (V)		Avai. FLUX (lm/klm)	969.1
NOMINAL FLUX (lm)	911.175	LOR (%)	100.0
LAMPS INSIDE	1	TOTAL FLUX (lm/klm)	1000
TEST VOLTAGE (V)		θ @50% (H,V)	109,111DEG

AREA FLUX DIAGRAM																			UNIT: lm/klm		Φ t	Φ a
90	0.00	0.03	0.08	0.16	0.24	0.24	0.20	0.15	0.09	0.08	0.14	0.18	0.22	0.22	0.14	0.07	0.03	0.00	2.27	0.00		
80	0.00	0.03	0.10	0.18	0.28	0.42	0.62	0.83	0.99	0.97	0.79	0.56	0.36	0.24	0.15	0.09	0.03	0.00	6.66	2.05		
70	0.00	0.04	0.09	0.28	0.83	1.60	2.43	3.16	3.63	3.60	3.07	2.30	1.44	0.69	0.22	0.08	0.03	0.00	23.5	21.8		
60	0.00	0.03	0.15	0.80	1.97	3.37	4.61	5.51	5.98	5.94	5.38	4.40	3.12	1.78	0.65	0.12	0.03	0.00	43.8	43.0		
50	0.00	0.03	0.35	1.51	3.21	4.93	6.35	7.33	7.81	7.75	7.17	6.17	4.70	2.95	1.33	0.26	0.03	0.00	61.9	61.4		
40	0.00	0.04	0.62	2.19	4.28	6.16	7.62	8.69	9.24	9.18	8.51	7.33	5.88	4.04	1.98	0.49	0.03	0.00	76.3	75.9		
30	0.00	0.05	0.87	2.75	5.09	6.97	8.55	9.70	10.4	10.3	9.45	8.26	6.71	4.83	2.53	0.73	0.04	0.00	87.1	86.8		
20	0.00	0.07	1.06	3.17	5.54	7.53	9.21	10.5	11.1	11.0	10.1	8.93	7.31	5.29	2.95	0.90	0.04	0.00	94.7	94.4		
10	0.00	0.08	1.14	3.40	5.77	7.85	9.70	11.0	11.5	11.4	10.7	9.48	7.64	5.57	3.15	0.97	0.04	0.00	99.4	99.2		
0	0.00	0.08	1.14	3.40	5.75	7.82	9.62	10.8	11.4	11.6	10.8	9.52	7.67	5.60	3.16	0.97	0.04	0.00	99.4	99.2		
-10	0.00	0.07	1.06	3.16	5.50	7.44	9.04	10.1	10.9	11.0	10.3	9.08	7.40	5.37	2.97	0.90	0.04	0.00	94.3	94.0		
-20	0.00	0.05	0.87	2.73	5.04	6.83	8.35	9.48	10.2	10.3	9.61	8.45	6.90	4.92	2.57	0.73	0.04	0.00	87.1	86.8		
-30	0.00	0.04	0.62	2.18	4.23	6.04	7.43	8.55	9.18	9.21	8.64	7.60	6.10	4.13	2.01	0.49	0.03	0.00	76.5	76.1		
-40	0.00	0.03	0.35	1.51	3.15	4.85	6.25	7.19	7.70	7.73	7.26	6.31	4.85	3.02	1.35	0.26	0.03	0.00	61.9	61.3		
-50	0.00	0.03	0.15	0.80	1.97	3.32	4.54	5.45	5.94	5.94	5.44	4.48	3.18	1.80	0.66	0.12	0.03	0.00	43.9	43.1		
-60	0.00	0.03	0.09	0.28	0.83	1.60	2.41	3.12	3.56	3.54	3.04	2.30	1.46	0.71	0.22	0.08	0.03	0.00	23.3	21.7		
-70	0.00	0.03	0.09	0.16	0.27	0.41	0.61	0.82	0.97	0.96	0.78	0.56	0.36	0.24	0.16	0.09	0.03	0.00	6.55	2.09		
-80	0.00	0.03	0.08	0.15	0.23	0.23	0.19	0.14	0.08	0.08	0.14	0.18	0.21	0.21	0.14	0.07	0.03	0.00	2.21	0.00		
-90	0.00	0.03	0.08	0.15	0.23	0.23	0.19	0.14	0.08	0.08	0.14	0.18	0.21	0.21	0.14	0.07	0.03	0.00	2.21	0.00		
	-90	-80	-70	-60	-50	-40	-30	-20	HORIZONTAL (DEG)	20	30	40	50	60	70	80	90					
Φ t	0.07	0.82	8.89	28.8	54.2	77.6	97.7	112	121	120	111	96.1	75.5	51.6	26.4	7.42	0.60	0.07	991	---		
Φ a	0.00	0.00	7.17	27.2	52.5	76.1	96.4	111	120	119	110	94.8	74.0	50.0	24.8	5.46	0.00	0.00	---	969		

one-half-peak spread: U:55.8,D:51.4 , L:56.3,R:53.3

NEMA Beam Type: Type 7



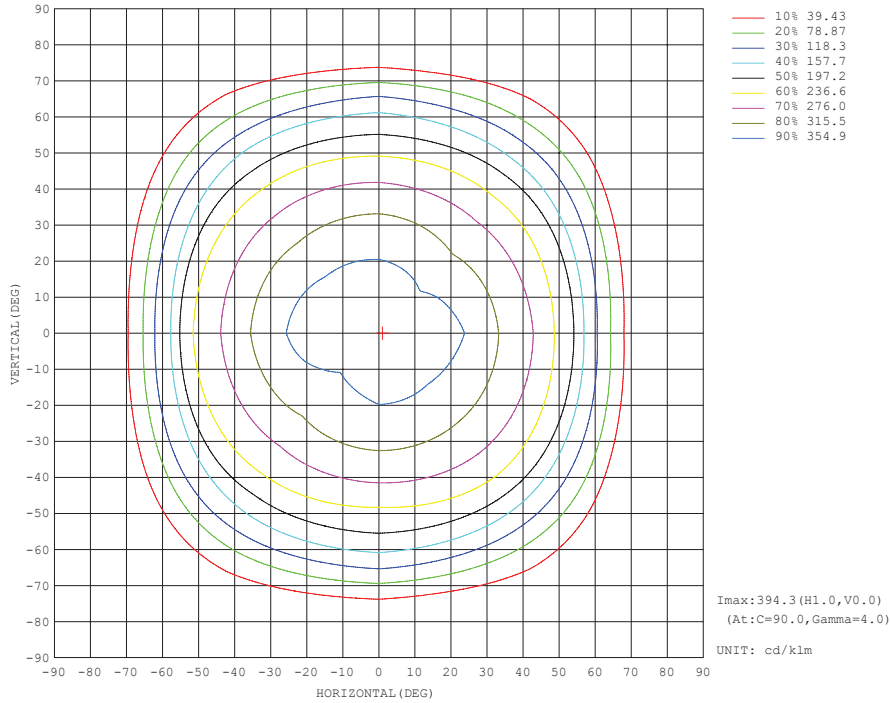
IEC62471



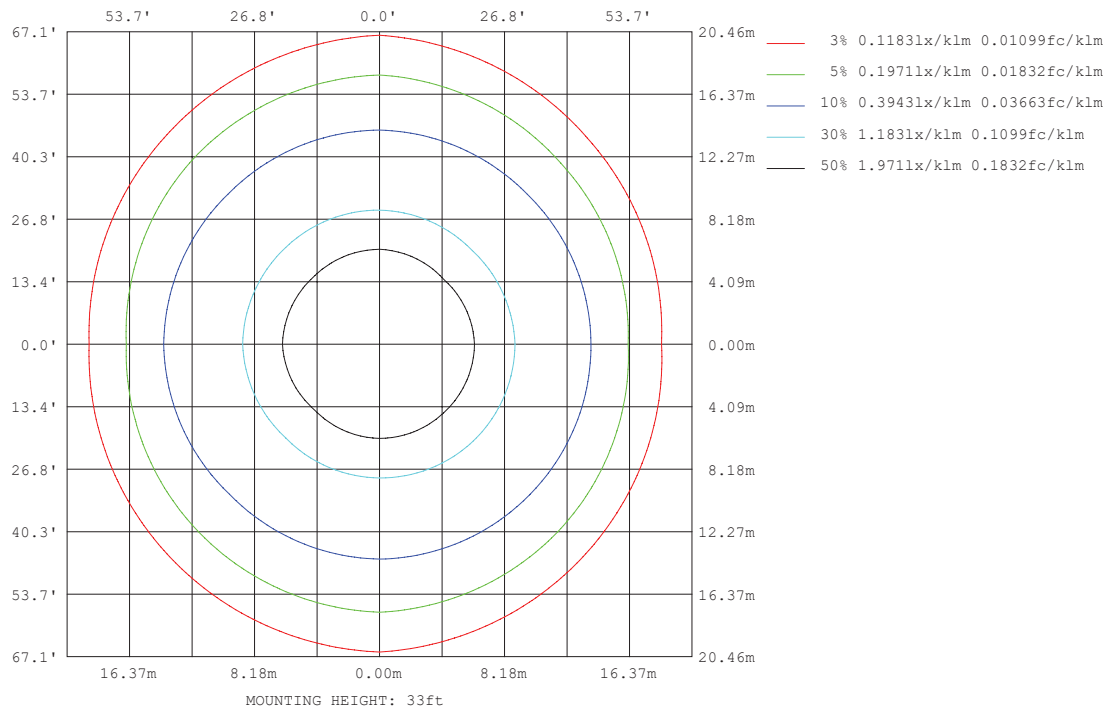
LUNE™ Solar Wall Pack

GONIOPHOTOMETERS SYSTEM TEST REPORT

ISOCANDELA DIAGRAM



ISOLUX DIAGRAM



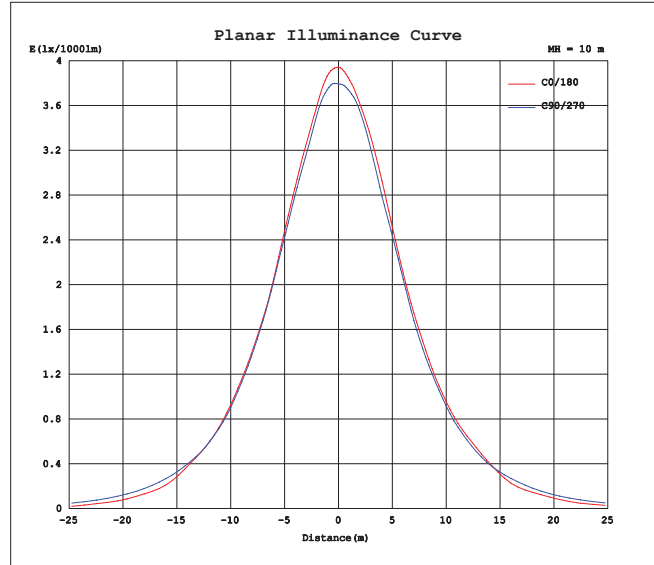
IEC62471



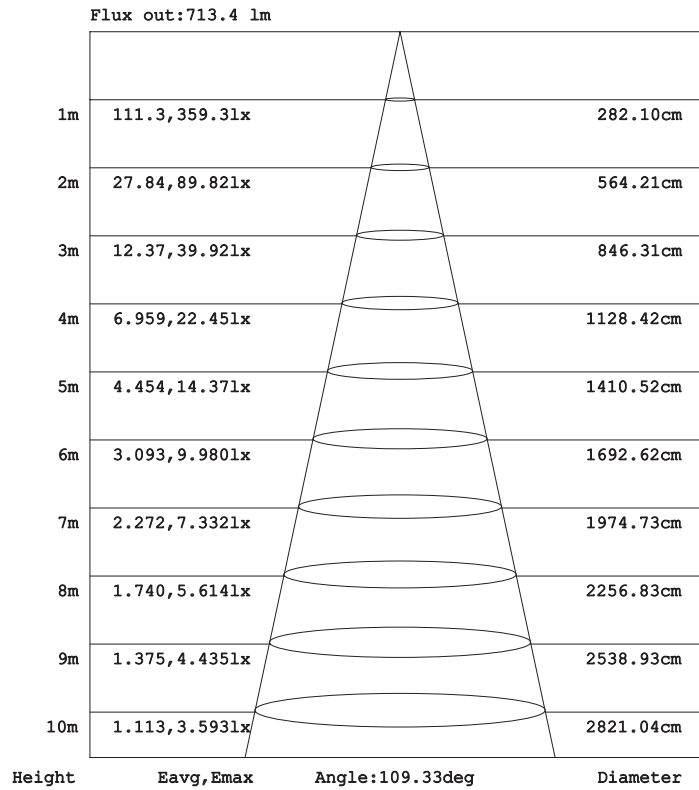
LUNE™ Solar Wall Pack

GONIOPHOTOMETERS SYSTEM TEST REPORT

Planar Illuminance Curve



AAI Figure



Note: The Curves indicate the illuminated area and the average illumination when the luminaire is at different distance.



IEC62471



BEYOND
SOLAR



LUNE™ Solar Wall Pack

Package Content



1PC * Lamp



2PCS * Screws with
Flat & Spring Washers
(for Wall Mount)

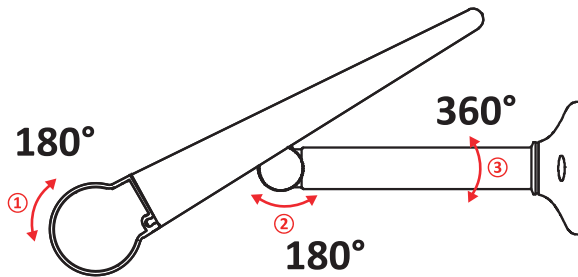


2PCS * Screws
(for Hanging)



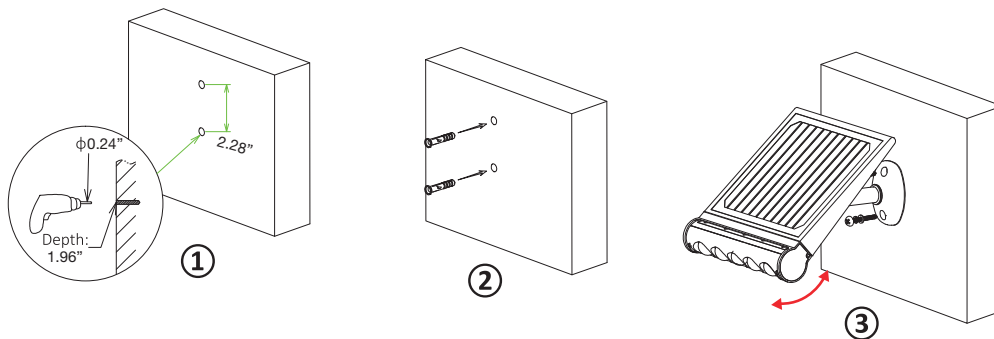
2PCS * Stickers

Installations



1. Rotate the lamp head to adjust lighting directions, 180° adjustable.
2. Rotate the screw to adjust solar panel vertically, 180° adjustable.
3. Hold the lamp base and rotate the lamp post to adjust whole lamp angle, 360° adjustable

Installation A: Integrated Wall Mount



The recommended mounting height is 6.5ft - 13ft

1. Please use the measure card to drill 2 holes ($\phi 0.24''$, depth 1.96'') with a spacing of 2.28''.
2. Fix the expansion plugs in the holes.
3. Use screws with flat & spring washers to fix the lamp on the wall. Adjust solar panel angle and lighting direction as needed.

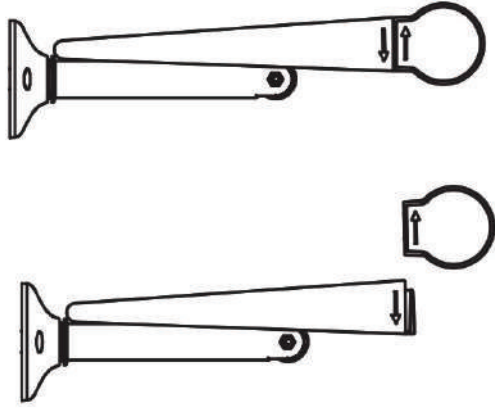


IEC62471



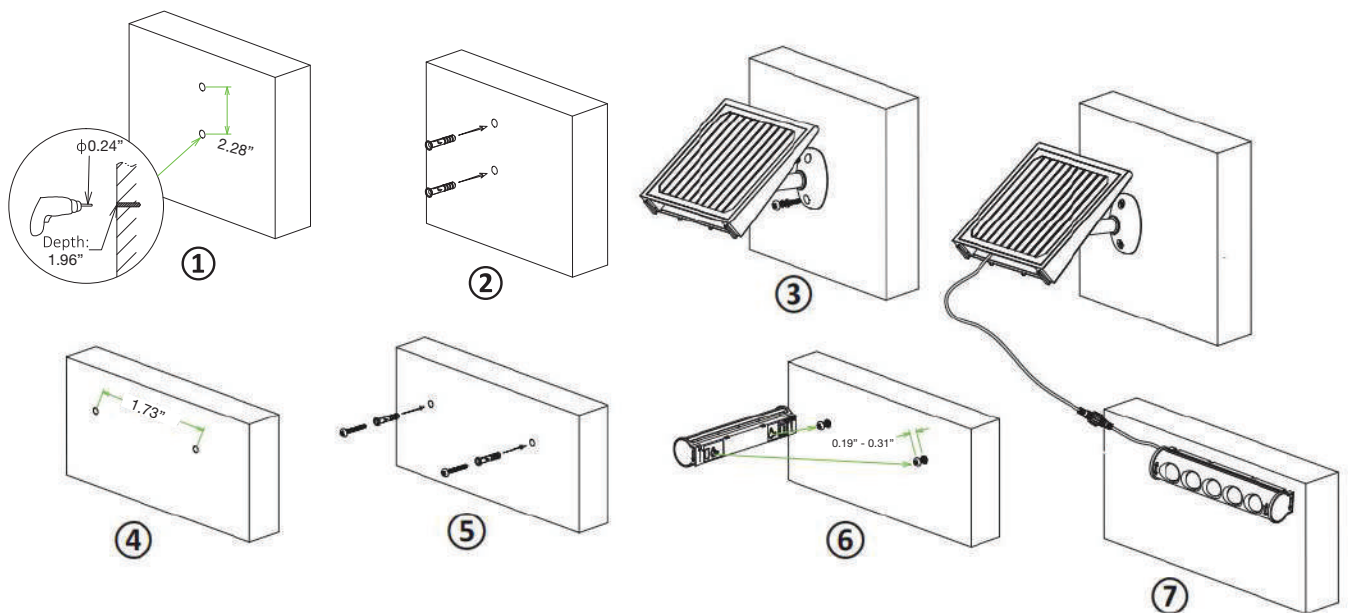
LUNE™ Solar Wall Pack

Installation B: Split Wall Mount



1. The lamp head can be removed according to the arrows on the side of the lamp for split installation.

2. The connection cable is 3m long, please confirm the installation position of the solar panel and the lamp before installation



1. Drill 2 holes ($\phi 0.24''$, depth 1.96'') with a spacing of 2.28''.
2. Fix the expansion plugs in the holes.
3. Use screws with flat & spring washers to fix the lamp on the wall.
4. Drill 2 holes ($\phi 0.24''$, depth 1.96'') with a spacing of 4.72''.
5. Fix the expansion plugs in the holes, then fix the screws into the expansion plugs, keeping the screws protruding 0.19''-0.31''.
6. Hang the lamp on the screws.
7. Connect the cable of solar panel to lam



IEC62471

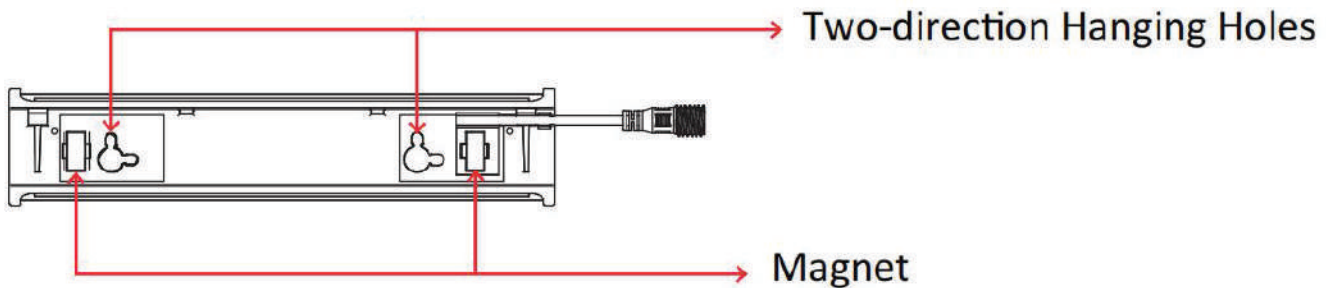


BEYOND
SOLAR



LUNE™ Solar Wall Pack

More Optional Installations



When the lamp is used as a split type, the lamp can also be installed in the following ways:

Installation C:

There is a magnet on the back of the lamp, lamp can be attached to a flat metal surface.

Installation D:

The lamp can be also directly pasted on the wall or other flat surface with provided 3M tape.

Installation E:

The lamp can be hung in 2 different directio

Notice

1. This is a solar powered lamp, please install the solar panel in a location where can get enough sunlight.
2. Please note the lighting time depends on sunshine duration & work mode.
3. Please connect the lamp to solar panel to get solar charging.
4. Built-in intelligent IC is with over-charge, over-discharge and over-voltage protection, safe and durable.
5. The lamp is equipped with an internal battery pack, which is replaceable. If any need, please contact the seller for correct new battery pack.
6. Non-professionals please do not disassemble the lamp.
7. Please do not dispose the battery with household garbage to a



IEC62471



BEYOND
SOLAR



LUNE™ Solar Wall Pack

Wide Applications

Widely used for Roof, Doorway, Pathway, Swimming Pool, Yard, Resort, Stairs, Entrance, Patio, Pavilion, Garage, Parking Lot, Campus etc.

Integrated Installation



IEC62471



BEYOND
SOLAR

