

HAWORTH

Market Wire Frame Desk

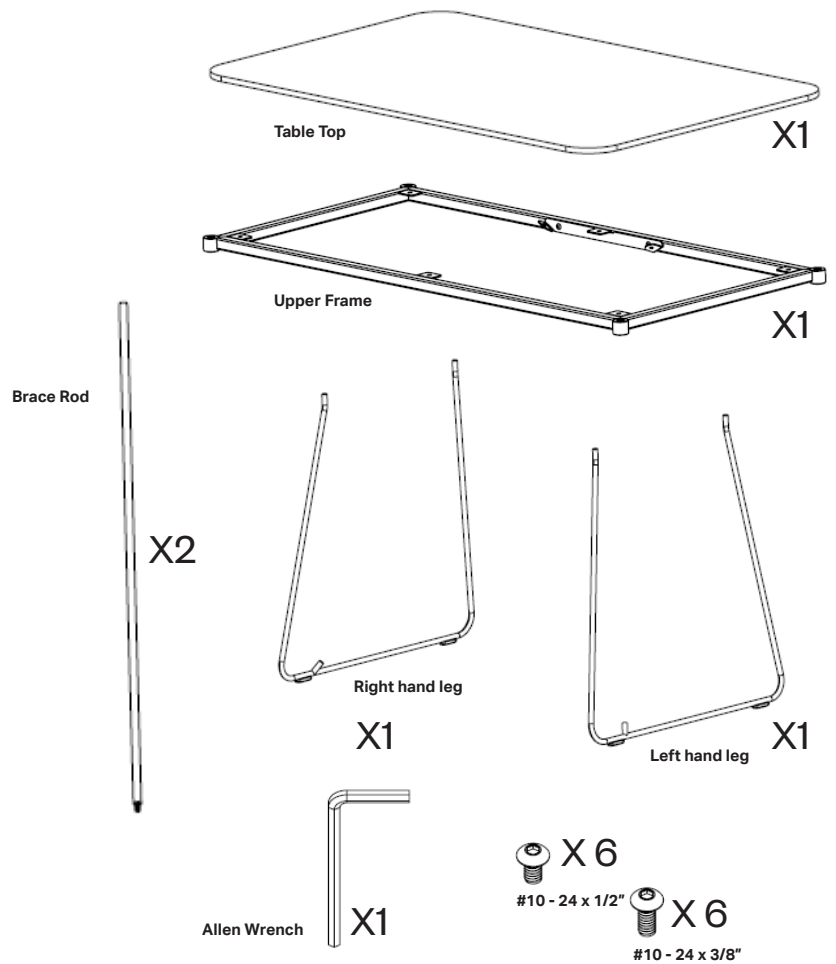
Care Instructions

- Dust with a clean, soft, lint free cloth.
- Wipe liquid spills off surface with a clean cloth immediately
- We do not recommend the use of chemical cleansers, abrasives, or furniture polish on our finish

Safety Instructions & Warnings

- Read all instructions before using products
- Failure to fully tighten screw may cause injuries
- Sitting/standing on product may cause risk or personal injury
- Periodically check fasteners to ensure tightness

Parts Required

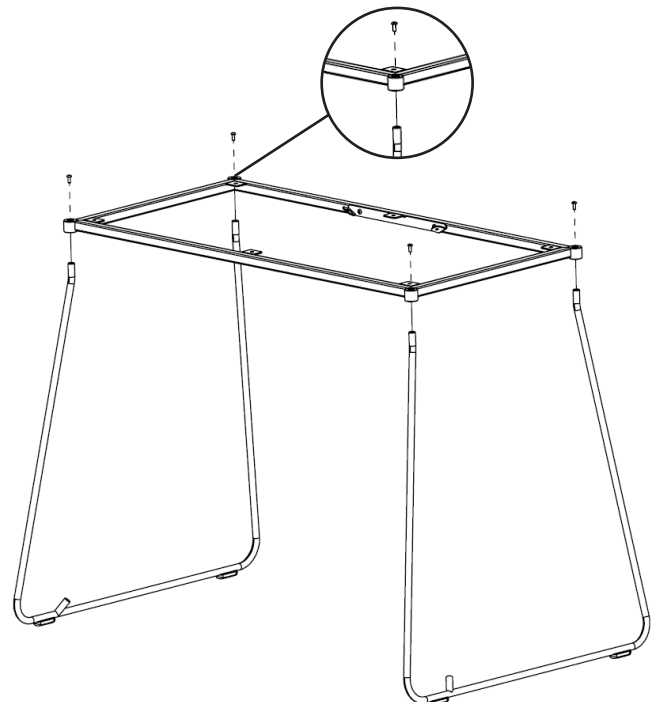


Assembly Instructions

How to assemble your table.

Step 1

Insert Right and Left Hand legs in Upper Frame. Secure with 10-24 x 1/2" long screws.



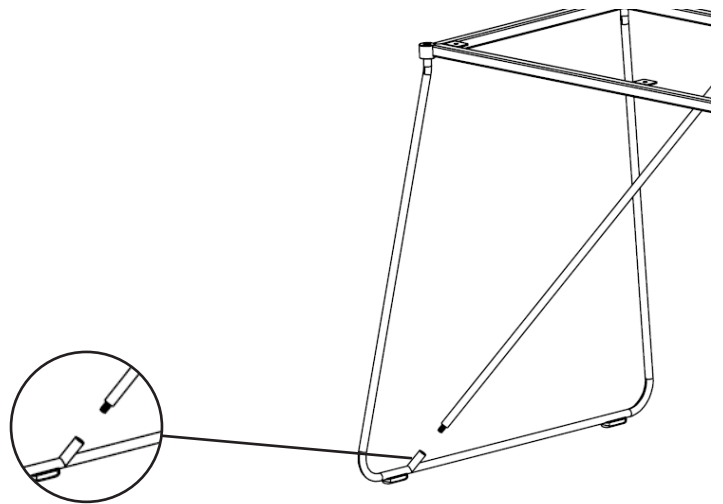
Questions or comments?

Contact us at 877-429-6784 ext. 1.

Assembly Instructions cont.

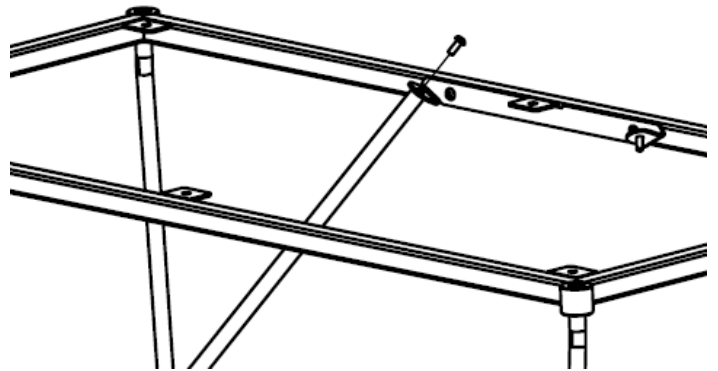
Step 2

Install Brace Rod into Brace Connector located on bottom of left-hand Leg.



Step 3

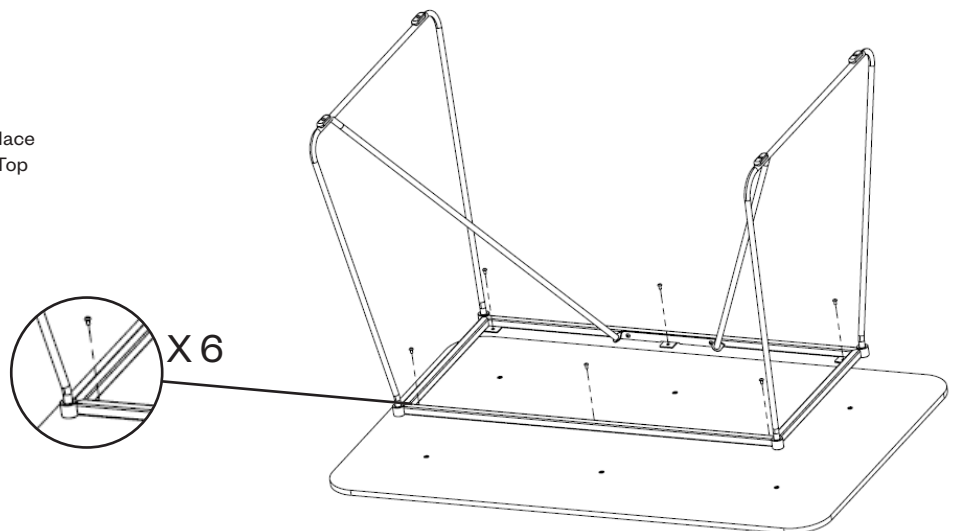
Align top of Brace Rod with Upper Frame Bracket. Secure with #10 - 24 x 1/2" screw.



Repeat Steps #2 and #3 to Install Brace Rod into Right Hand Leg

Step 4

Lay the table top upside down on a padded surface. Place the legs upside down and align Frame Assembly with Top Attachment holes. Secure with #10-24 x 3/8" screw.



Questions or comments?

Contact us at 877-429-6784 ext. 1.