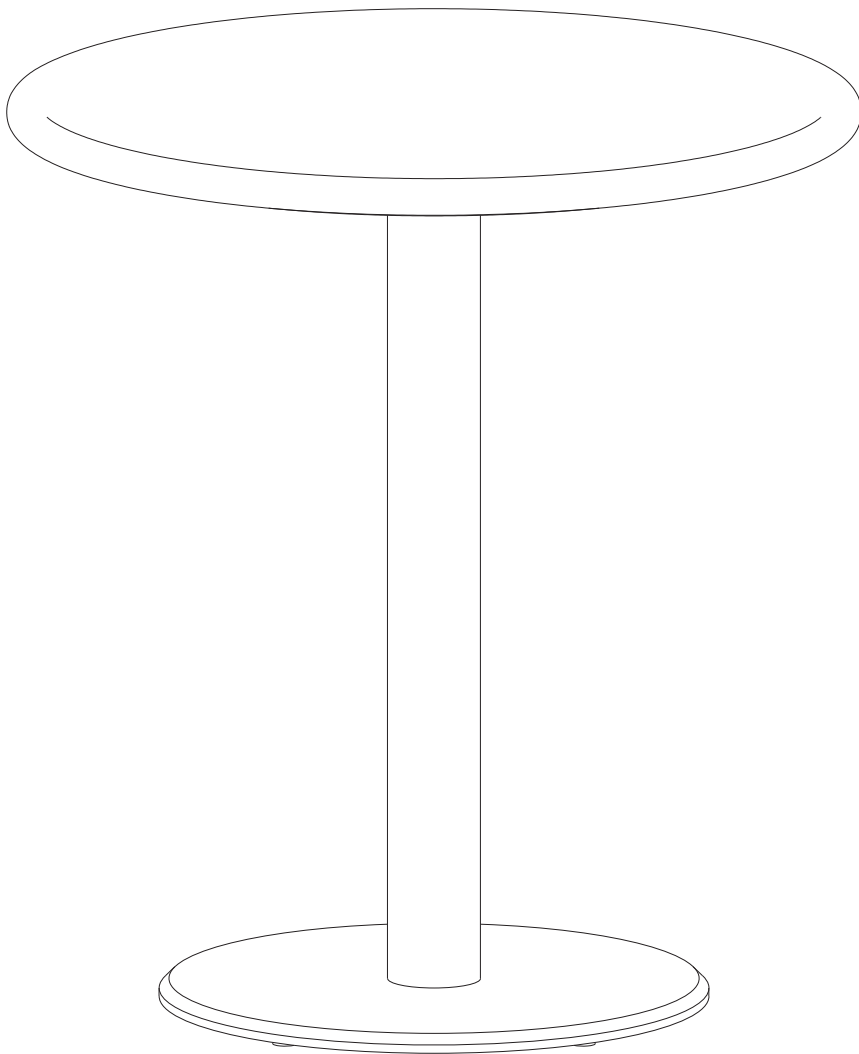


T C S .

Mag Bistro Table

Designed by Daniel Schofield

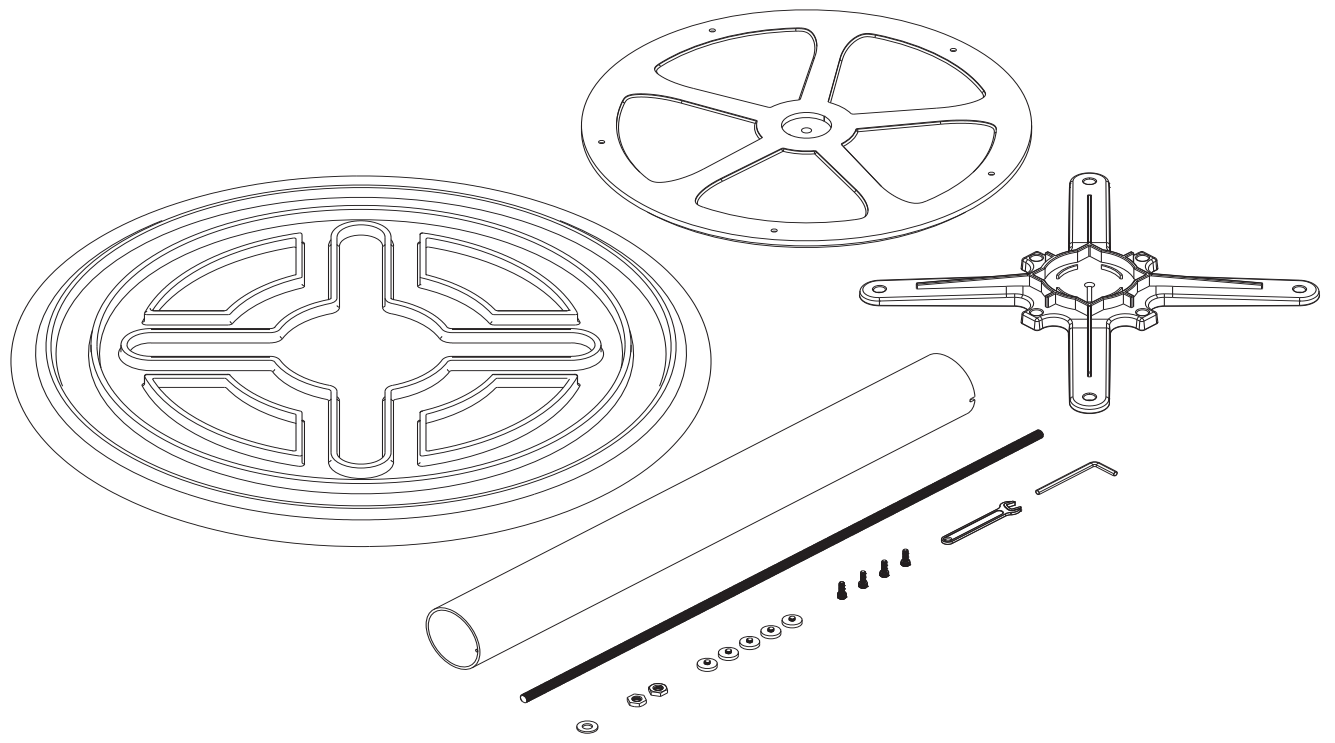
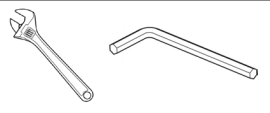


Assembly Instructions

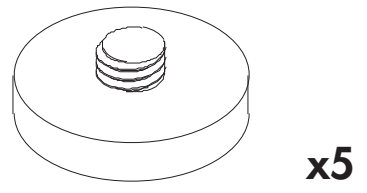
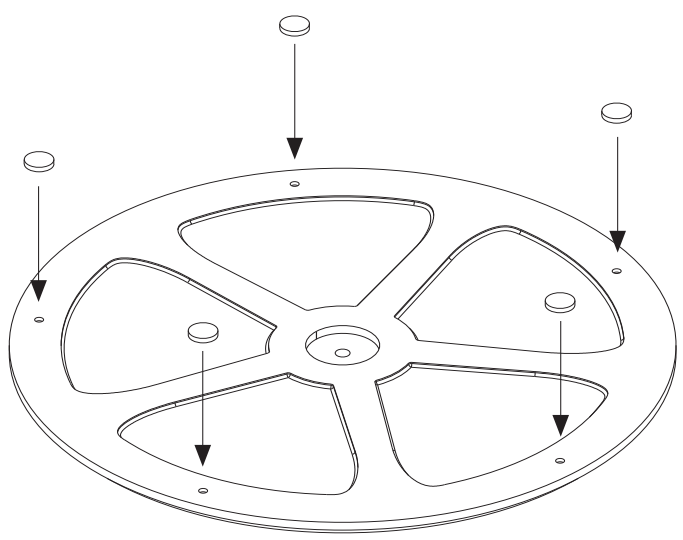
Components:

Ceramic Table Top	x1	Nut	x2
Cast Metal Bracket	x1	Bolts	x4
Tube Leg	x1	Adjustable Feet	x5
Base	x1		
Threaded Rod	x1		
Washer	x1		

Assembly requires 4mm
Allen Key + Spanner



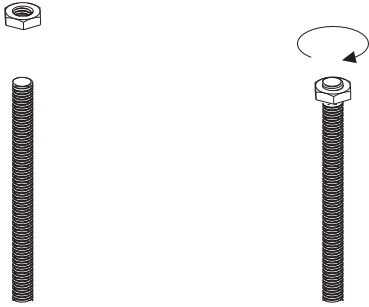
Foot Assembly:



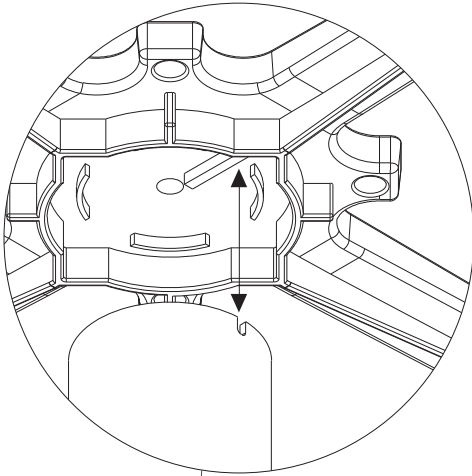
x5

The feet are adjustable and can be used after assembly to level the table.

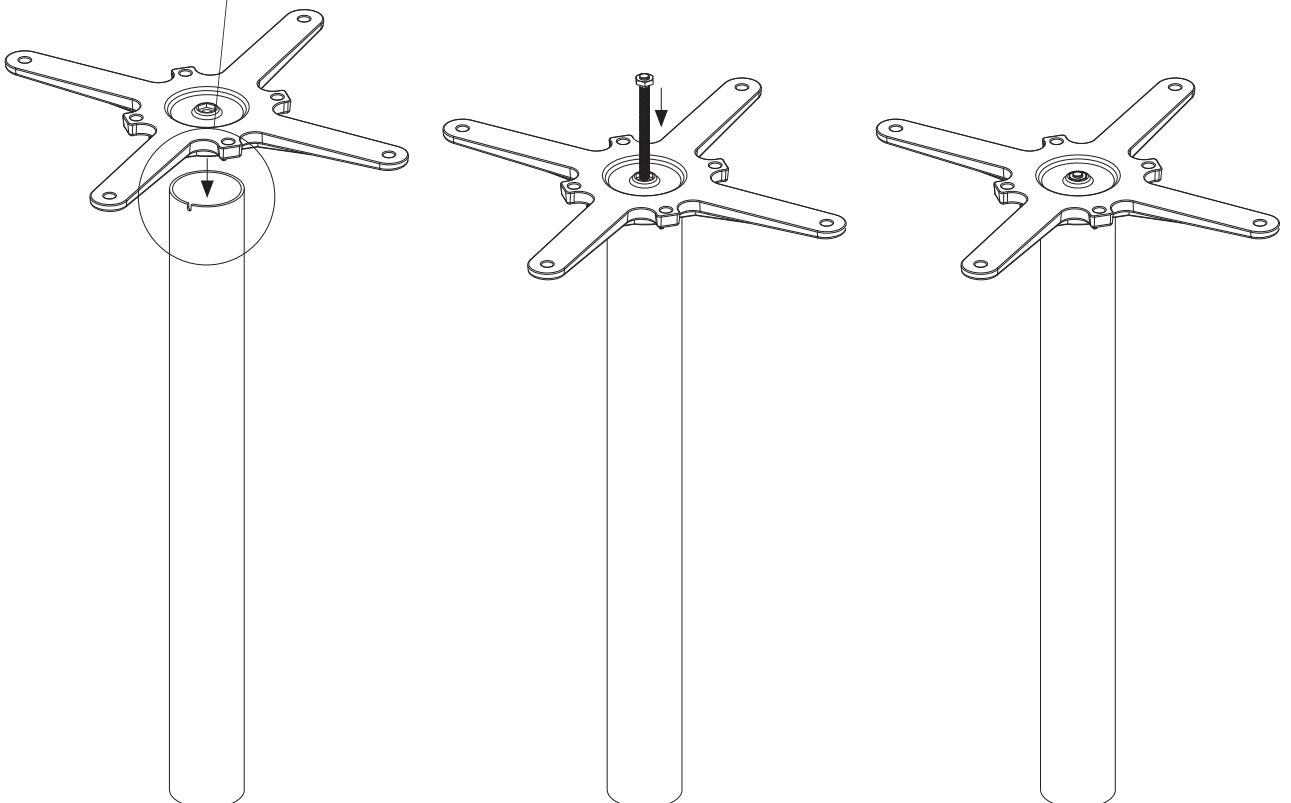
Top Bracket Assembly:



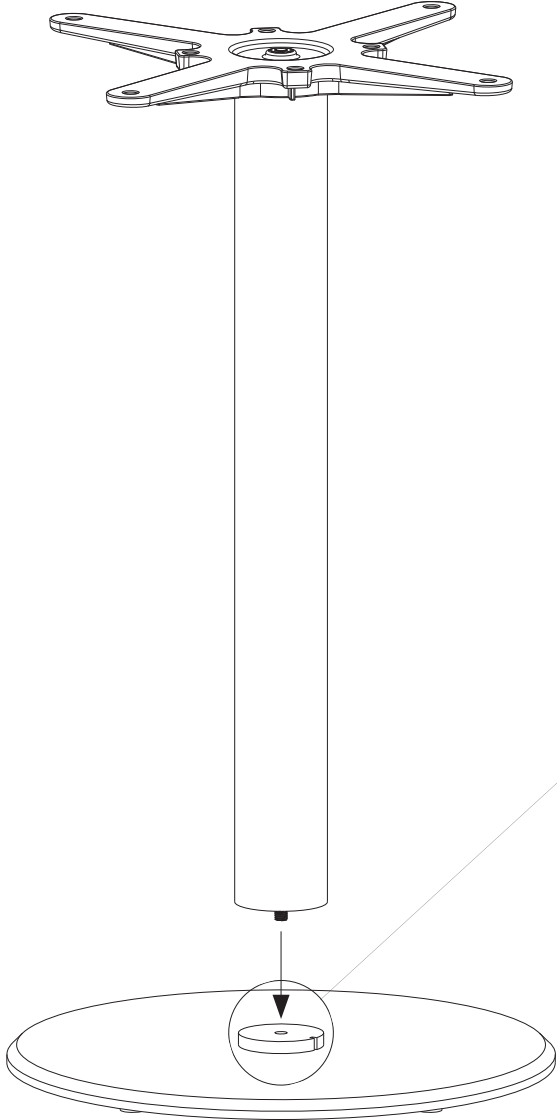
Ensure the top nut is screwed all the way down to the notch in the threaded rod. This will lock the nut in place and prevent it from coming loose.



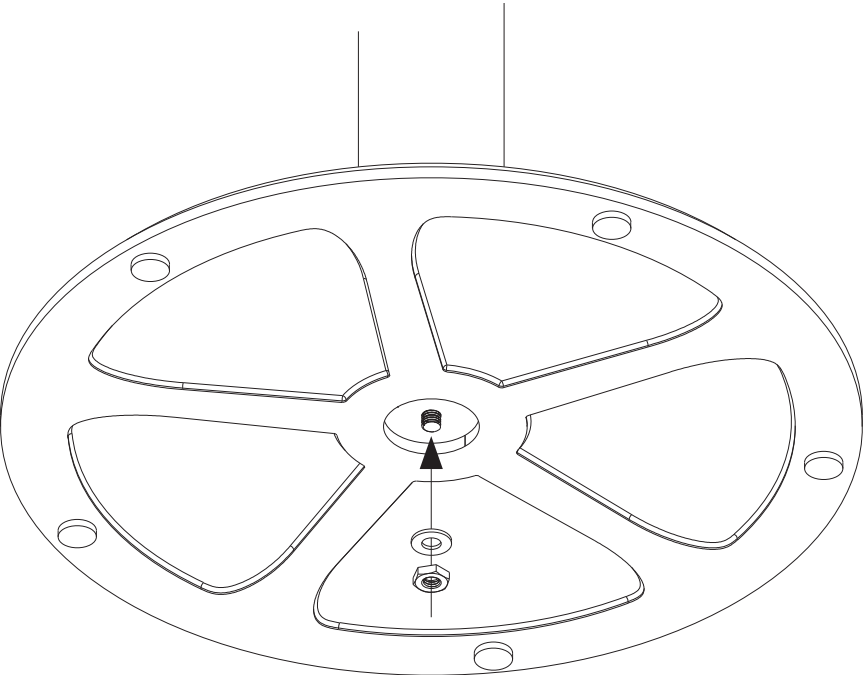
The leg has a notch on the top edge. Make sure the bracket is placed on the correct end of the leg so that the locator on the bottom of the bracket nests in the notch of the leg. This will prevent the assembly from rotating.



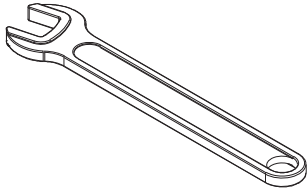
Base Assembly:



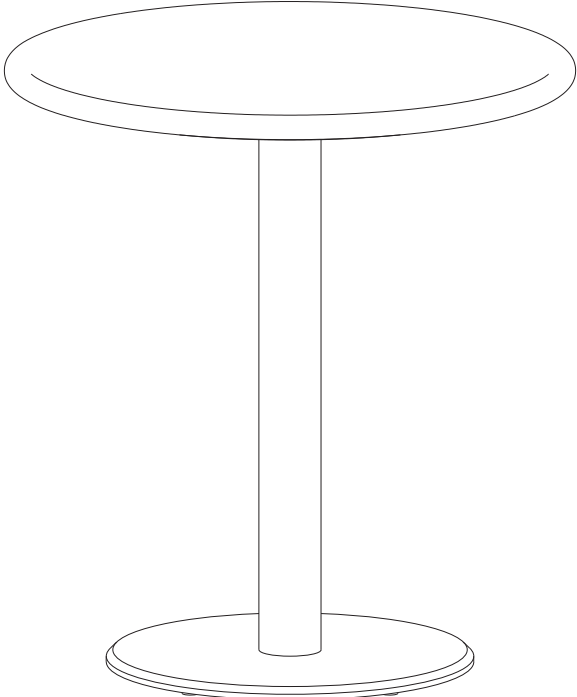
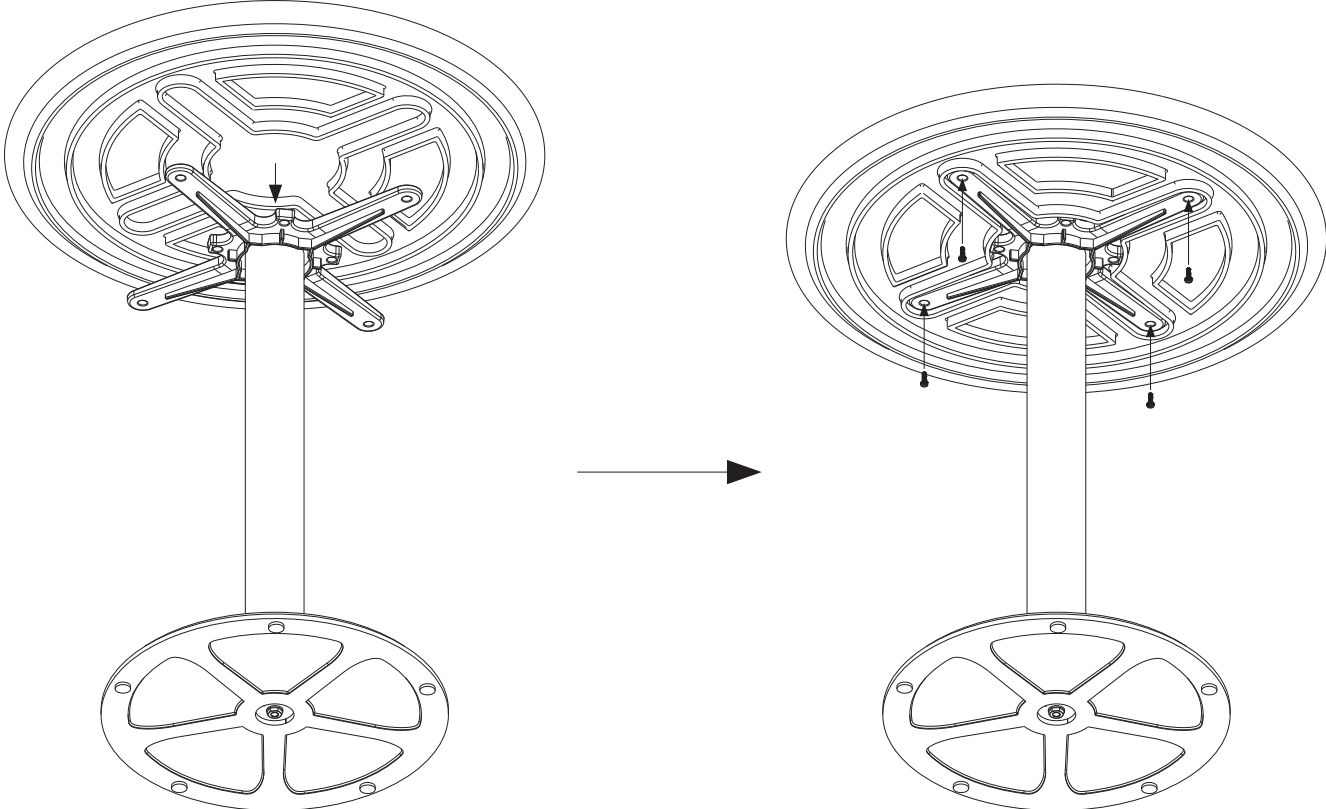
The bottom of the leg has a small locator which matches a notch on the base. Ensure this is lined up correctly to prevent rotation.



Using the spanner, tighten down the bolt and washer. This connection must be very secure to prevent wobbling.



Top Assembly:



Care Instructions

Read these instructions and check pack contents carefully before attempting assembly.

Wipe with a soft, damp cloth. Mix warm water with mild detergent to remove stubborn marks. Do not use any abrasive or corrosive cleaning products.

This product is made in part of solid wood. Do not place it next to radiators or anywhere subject to excessive changes in temperature or moisture content, and avoid putting hot items directly on the wood. Spillages should be wiped away immediately.

Regularly check all fastenings to ensure that they are properly tightened.

conranshop.com

Contact Details

United Kingdom

UK 0344 848 4000

Non UK +44 116 269 8894

Email customerservices@theconranshop.com