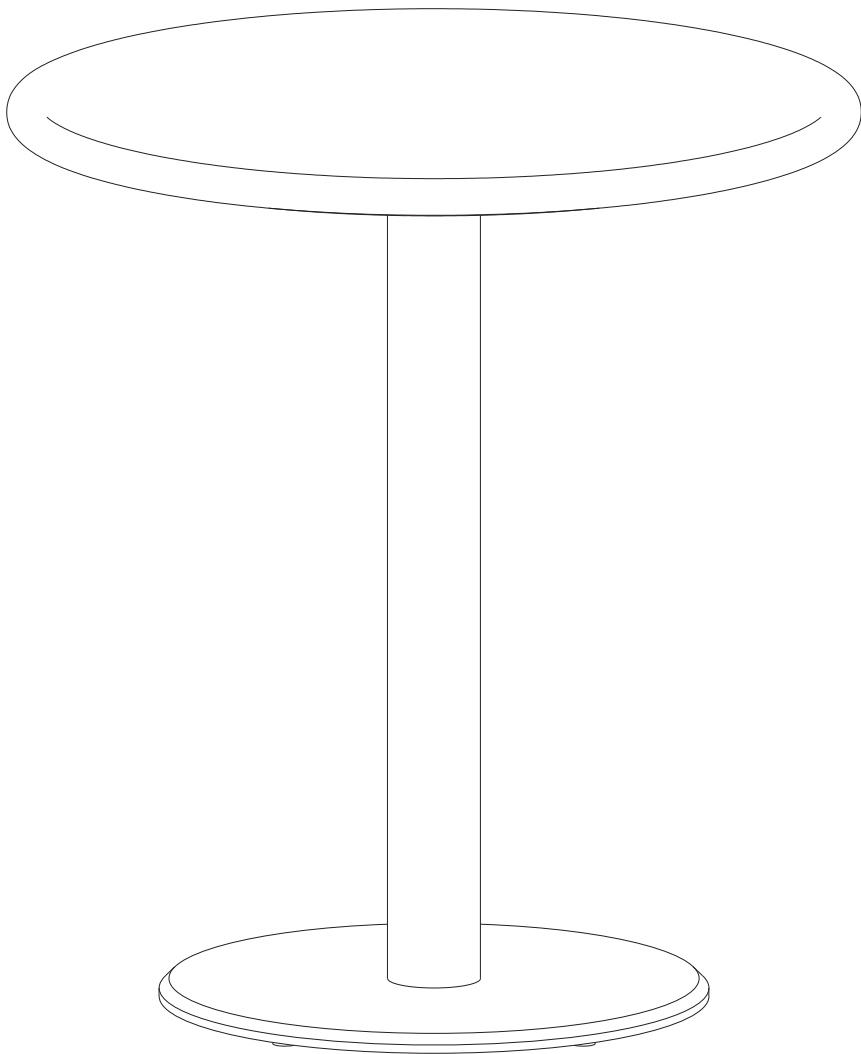


T C S .

Mag Bistro Table

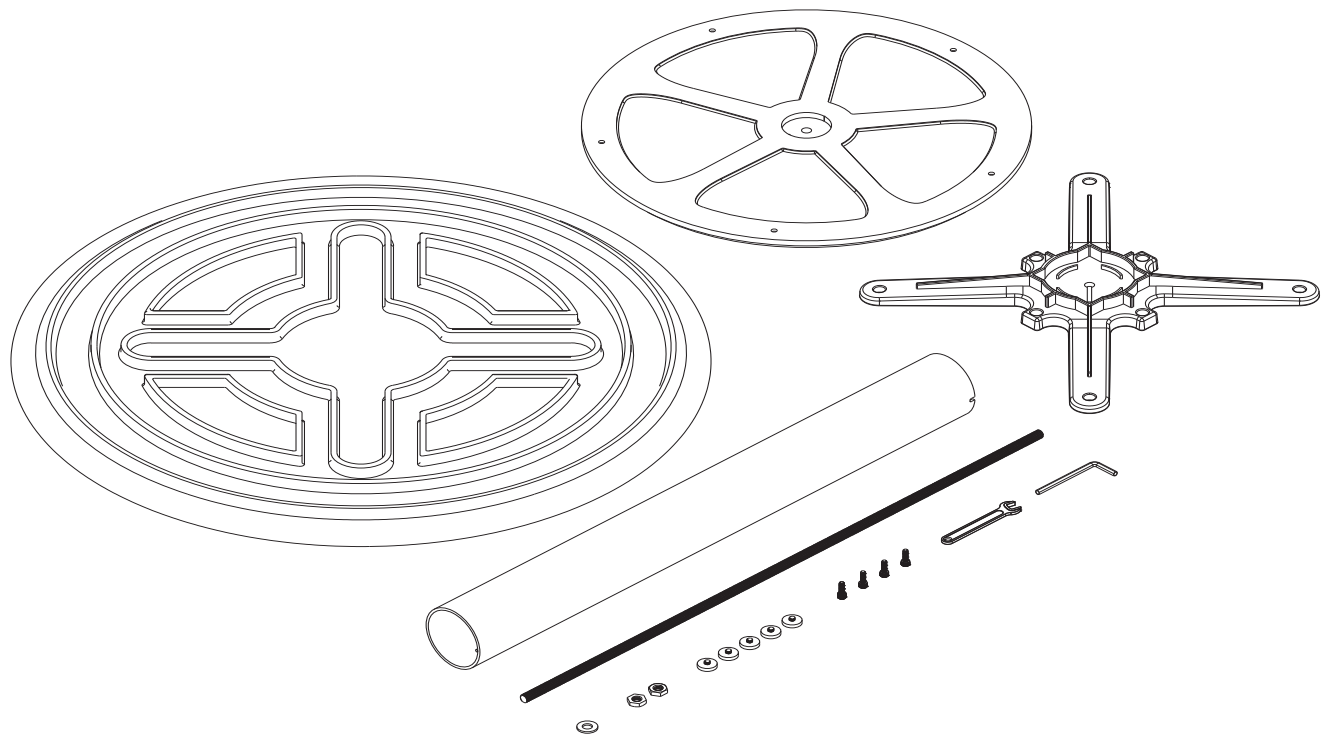
Designed by Daniel Schofield



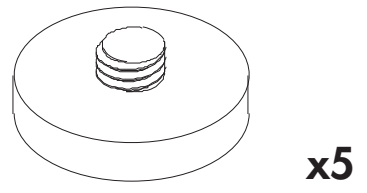
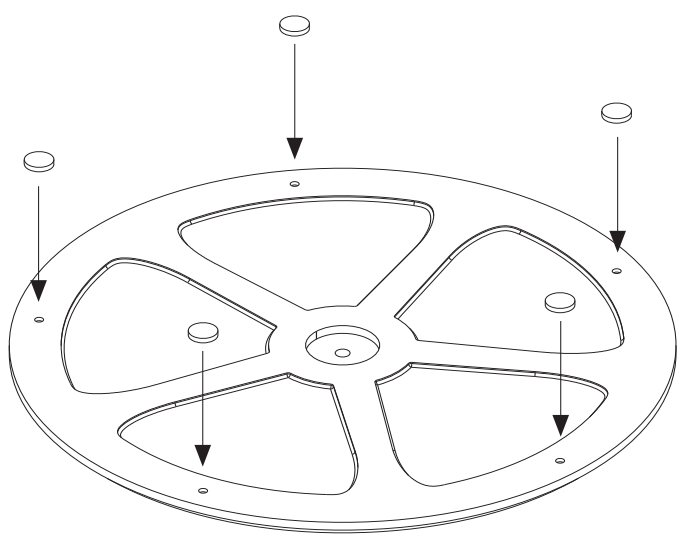
Assembly Instructions/Instructions de montage

Components:

Ceramic Table Top	x1	Nut	x2
Cast Metal Bracket	x1	Bolts	x4
Tube Leg	x1	Adjustable Feet	x5
Base	x1	Allen Key	x1
Threaded Rod	x1	Spanner	x1
Washer	x1		

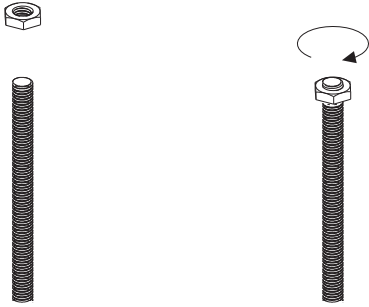


Foot Assembly:

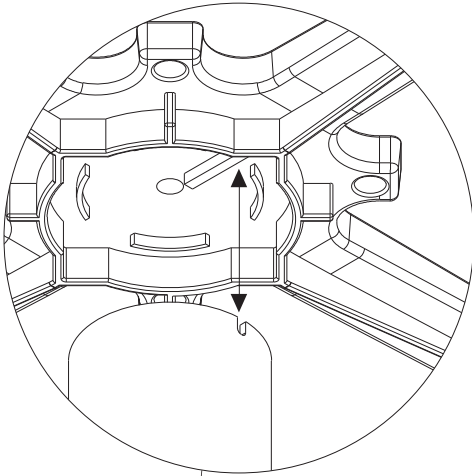


The feet are adjustable and can be used after assembly to level the table.

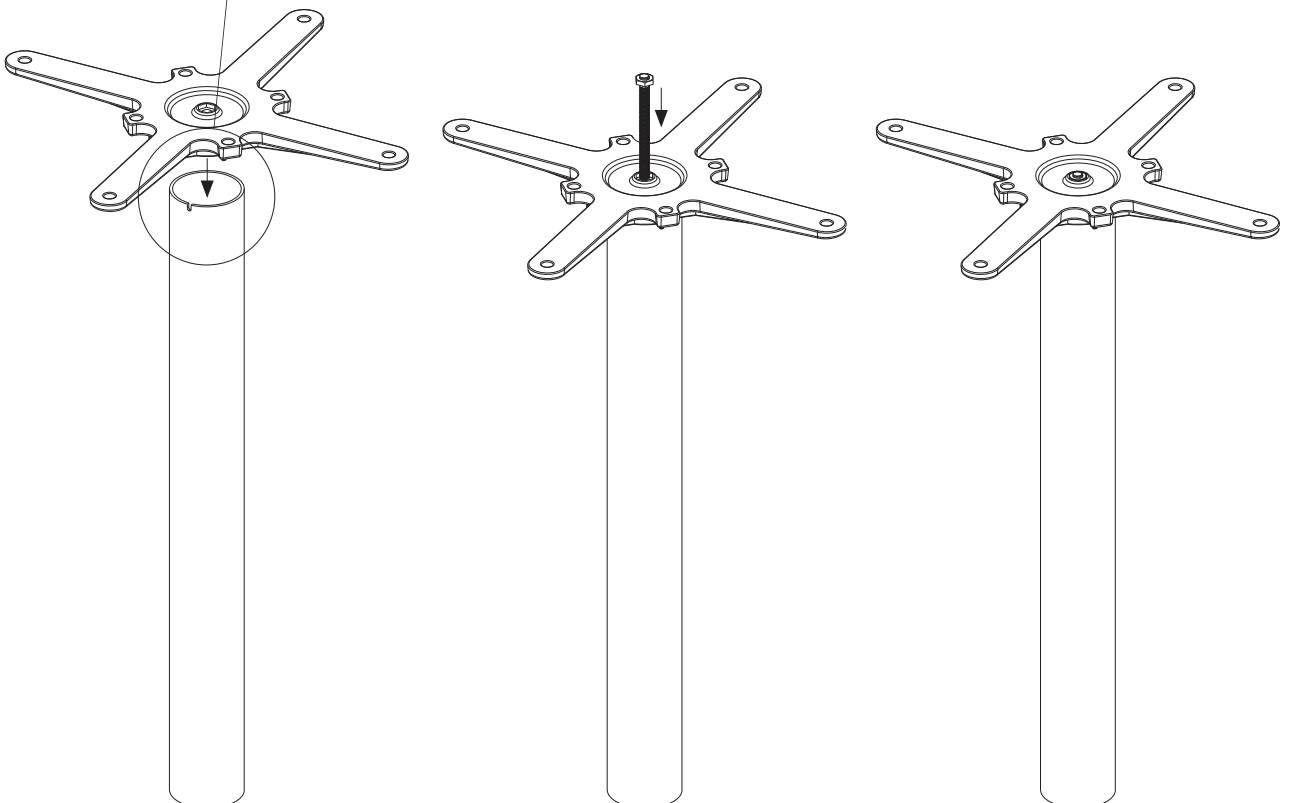
Top Bracket Assembly:



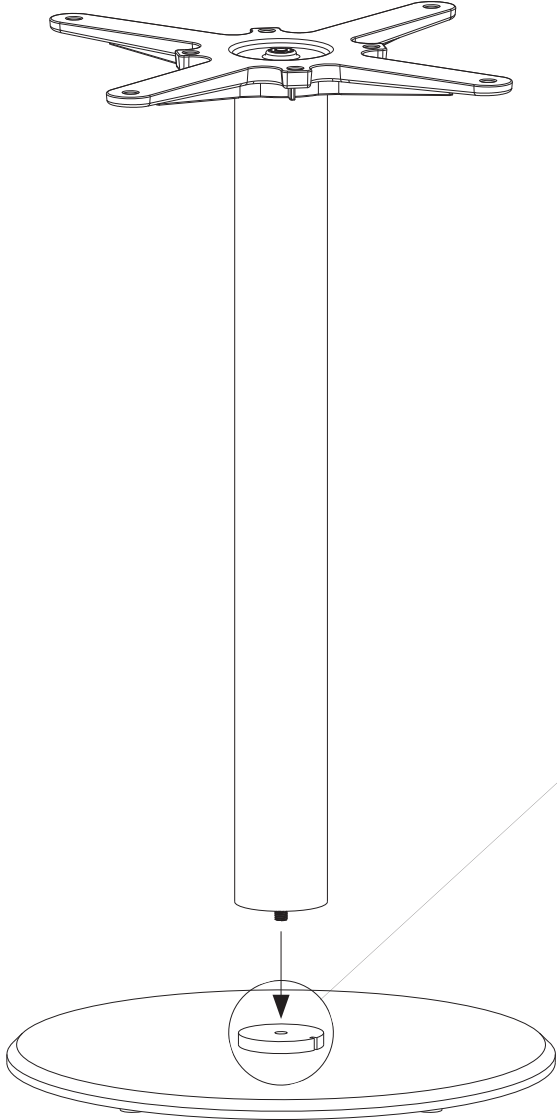
Ensure the top nut is screwed all the way down to the notch in the threaded rod. This will lock the nut in place and prevent it from coming loose.



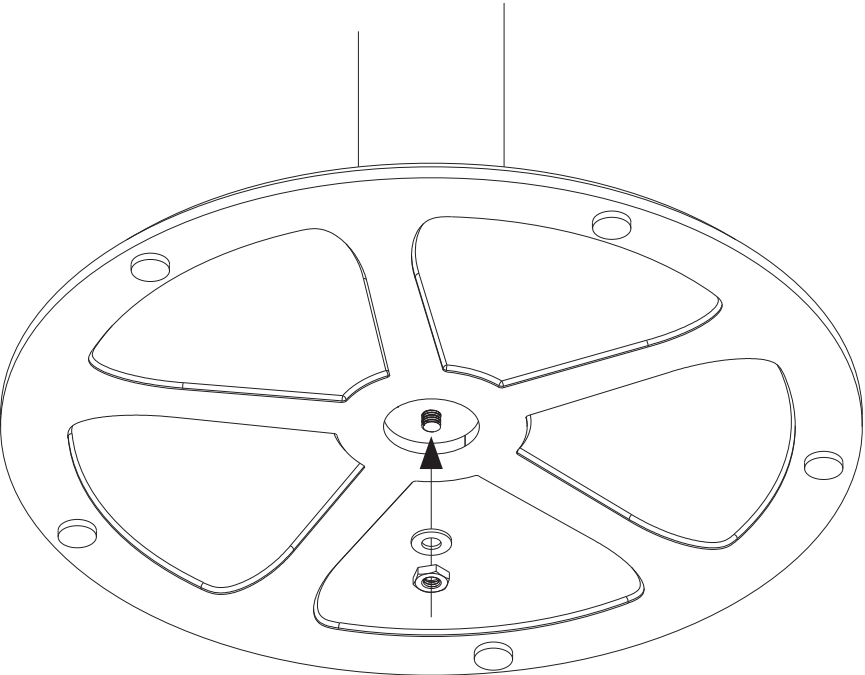
The leg has a notch on the top edge. Make sure the bracket is placed on the correct end of the leg so that the locator on the bottom of the bracket nests in the notch of the leg. This will prevent the assembly from rotating.



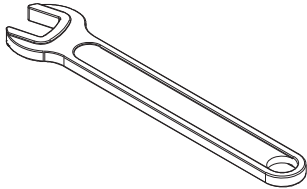
Base Assembly:



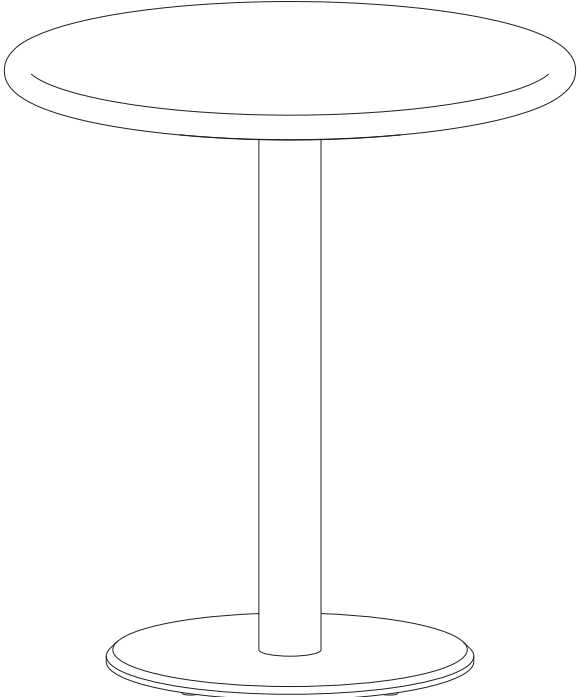
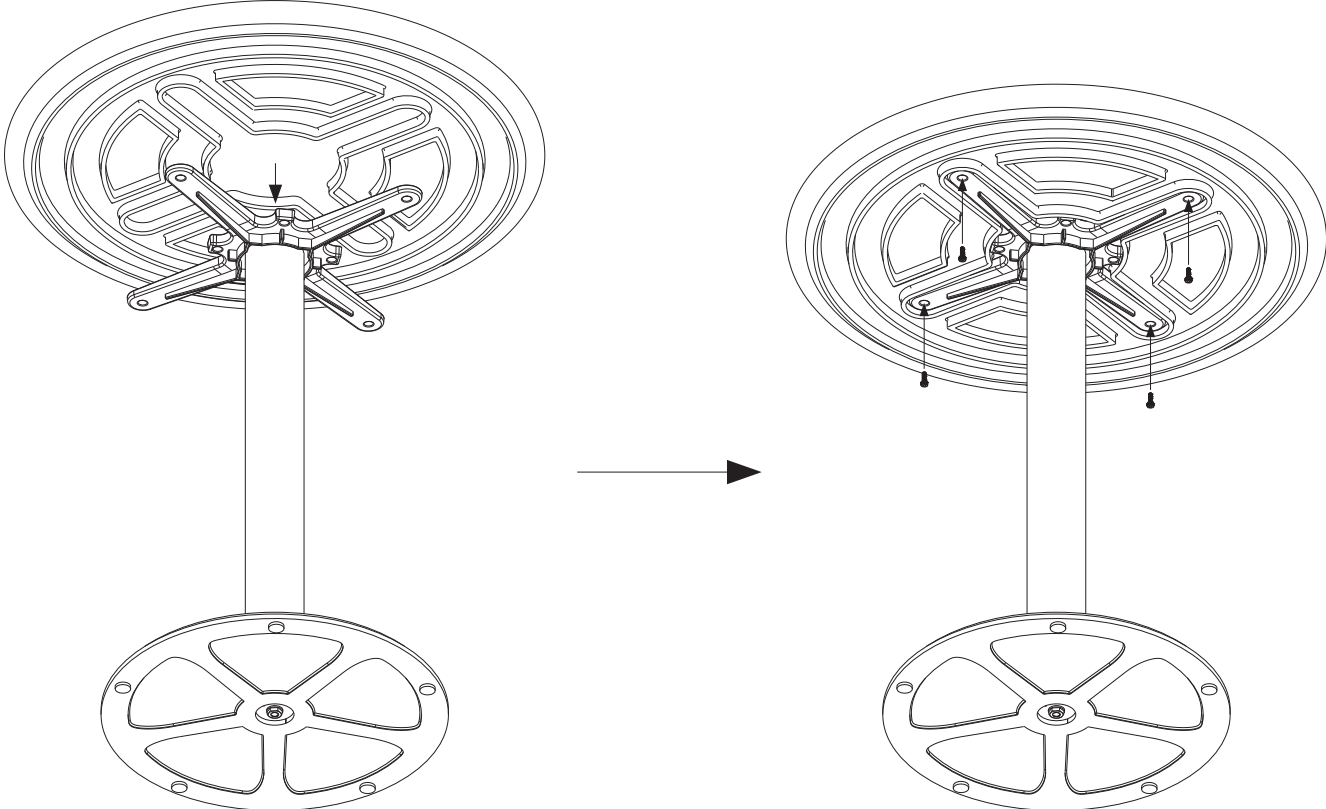
The bottom of the leg has a small locator which matches a notch on the base. Ensure this is lined up correctly to prevent rotation.



Using the spanner, tighten down the bolt and washer. This connection must be very secure to prevent wobbling.



Top Assembly:



Care Instructions

Read these instructions and check pack contents carefully before attempting assembly.

Wipe with a soft, damp cloth. Mix warm water with mild detergent to remove stubborn marks. Do not use any abrasive or corrosive cleaning products.

This product is made in part of solid wood. Do not place it next to radiators or anywhere subject to excessive changes in temperature or moisture content, and avoid putting hot items directly on the wood. Spillages should be wiped away immediately.

Regularly check all fastenings to ensure that they are properly tightened.

Conseils d'entretien

Lisez ces instructions et vérifiez attentivement le contenu du colis avant d'essayer de l'assembler.

Essuyez avec un chiffon doux et humide. Mélangez l'eau chaude avec un détergent doux pour enlever les marques tenaces. N'utilisez pas de produits nettoyants abrasifs ou corrosifs.

Ce produit est fabriqué en partie en bois massif. Ne le placez pas à côté de radiateurs ou tout autre lieu soumis à des changements excessifs de température ou à une forte humidité, et évitez de placer des objets chauds directement sur le bois. Essuyez/épongez tout débordement immédiatement.

Vérifiez régulièrement toutes les attaches afin de vous assurer qu'elles sont correctement serrées.

conranshop.com / conranshop.fr

[Contact Details](#) / [Nous contacter](#)

United Kingdom
UK 0344 848 4000
Non UK +44 116 269 8894
Email customerservices@theconranshop.com

France
PARIS +33 1 42 84 10 01
Email info@conranshop.fr