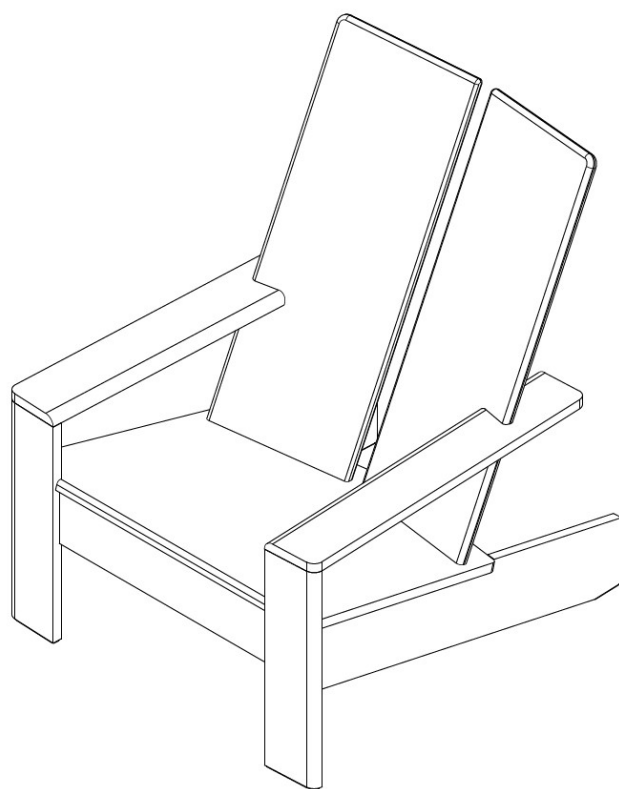


T C S .

AD11 Lounge Chair

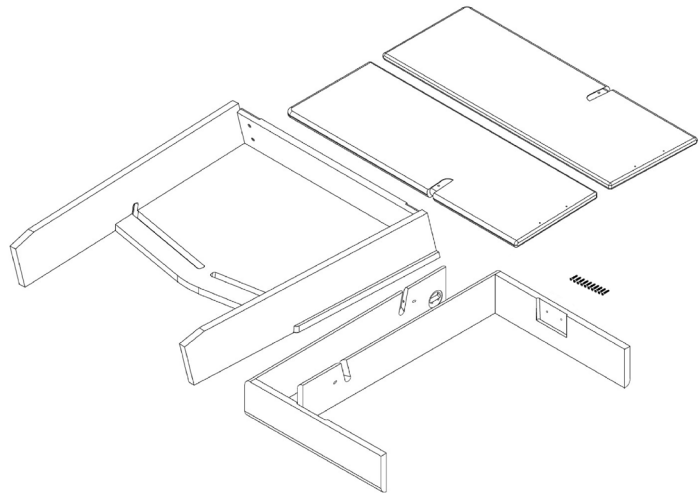
by The Conran Shop



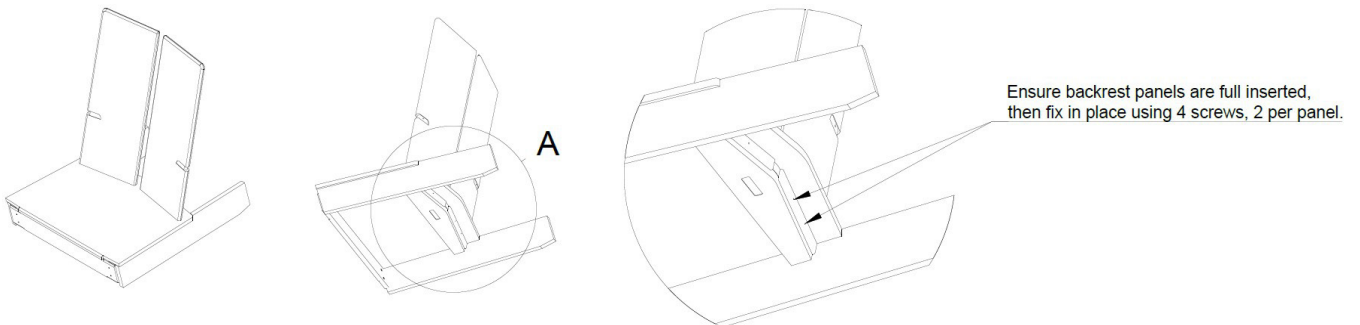
Assembly Instructions

Components:

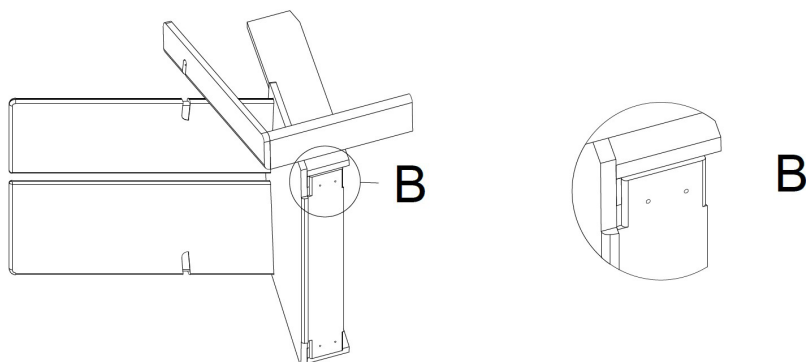
Seat Frame	x1
Backrest Panels	x2
Arm	x2
Screws	x10



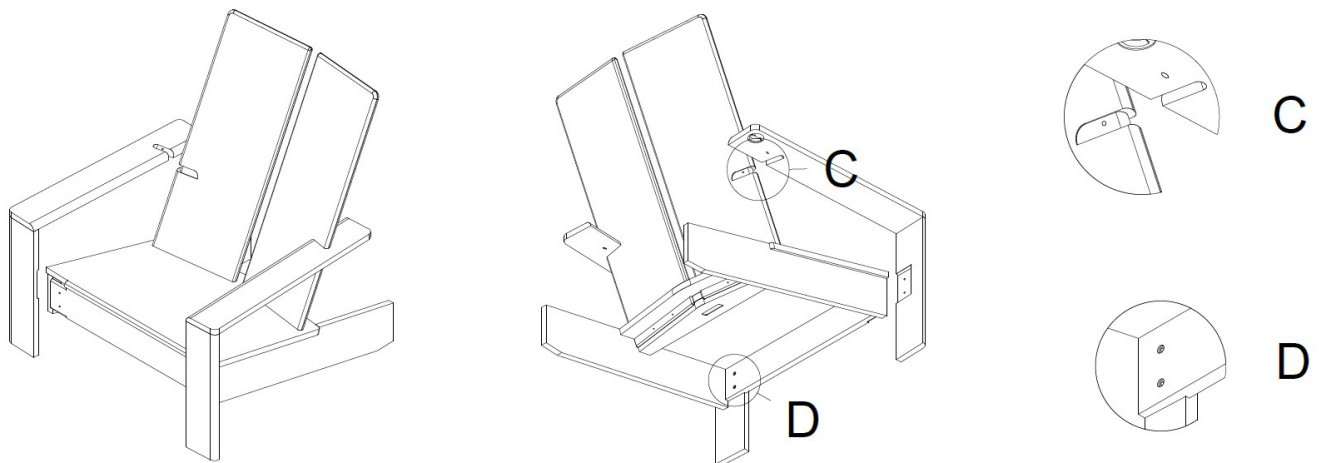
1. Lay seat and leg frame preassembled part flat on the floor, insert the backrest panels and fix in place using 4 of the screws.



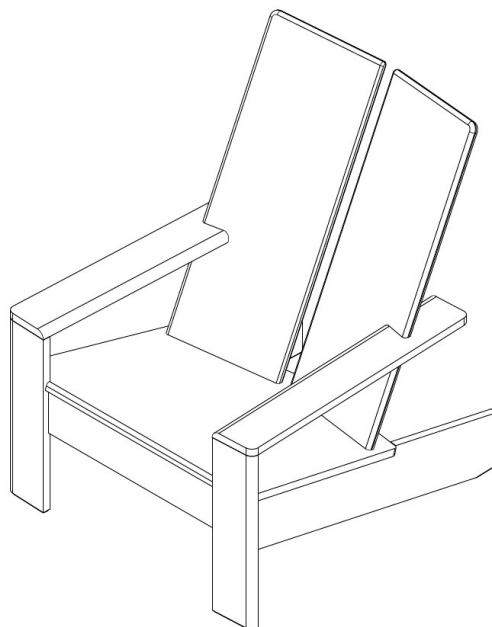
2. Gently place the assembled part on their side. Then insert an arm ensuring to align the joint with the recessed area on the backrest panel. The front leg can flex slightly to allow securement over the notch protruding from the seat assembly. Use 4 x screws and join from the inside face.



3. Next, return the assembled parts upright and insert the second arm. Use 2 x screws on the armrest joints.



4. Once all parts are assembled, bolts can be tightened further.



Care Instructions

Read these instructions and check pack contents carefully before attempting assembly.

Wipe with a soft, damp cloth. Mix warm water with mild detergent to remove stubborn marks. Do not use any abrasive or corrosive cleaning products.

This product is made in part of solid wood. Do not place it next to radiators or anywhere subject to excessive changes in temperature or moisture content, and avoid putting hot items directly on the wood. Spillages should be wiped away immediately.

Regularly check all fastenings to ensure that they are properly tightened.

theconranshop.com

Contact Details
United Kingdom
UK 0344 848 4000
Non UK +44 116 269 8894
Email customerservices@theconranshop.com