



Ei Series Safety Intercom

Ei Series Safety Intercom is available in four models designed to address the needs and requirements of various applications and installation types. All models deliver full-duplex communication and secure access control for your VoIP system. Ideal for any setting such as commercial facilities, schools and universities, medical facilities, warehouses, and retail establishments.

Applicable Scenarios



Schools



Office Buildings



Health Care



Industrial Facilities



Warehouses



National Parks



Government Offices



Parking Garages



Financial Institutions



Rest Stops

Features



Gesture Activation

Activated by a hand wave, delivering the touch-free two-way communication call without the additional touch to the device.



Dual Destinations

One device, two call destinations. The Ei-D05 and Ei-W05 both contain two call destinations. which can set up for different purpose use, such as information and emergency buttons.



Video Intercom

The video intercom can be streamed to third-party devices using RTSP. For no camera models, it can connect with IP camera through IP Audio Center for video linkage.



Access Control

All models can connect with the door magnetic, simply using the DTMF keypads on IP phone for door releasing or closing.



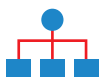
Sensor Detection

When a sensor is attached with the intercom, unnormal behaviors or activities detected by sensor will trigger alert immediately.



Audio Out

When used in noisy environments, connecting with an active speaker or power amplifier can be used for sound expansion.



Multi SIP Accounts

Support three lines SIP accounts, user may register the intercom in more than one system for achieving different functionality purposes.



PoE+ Supported

Ei Series is PoE+ supported, making it easy to connect into the local area networks from your PoE switch with a CAT 5/6 cable. No extra power supply is required.



SIP Compliant

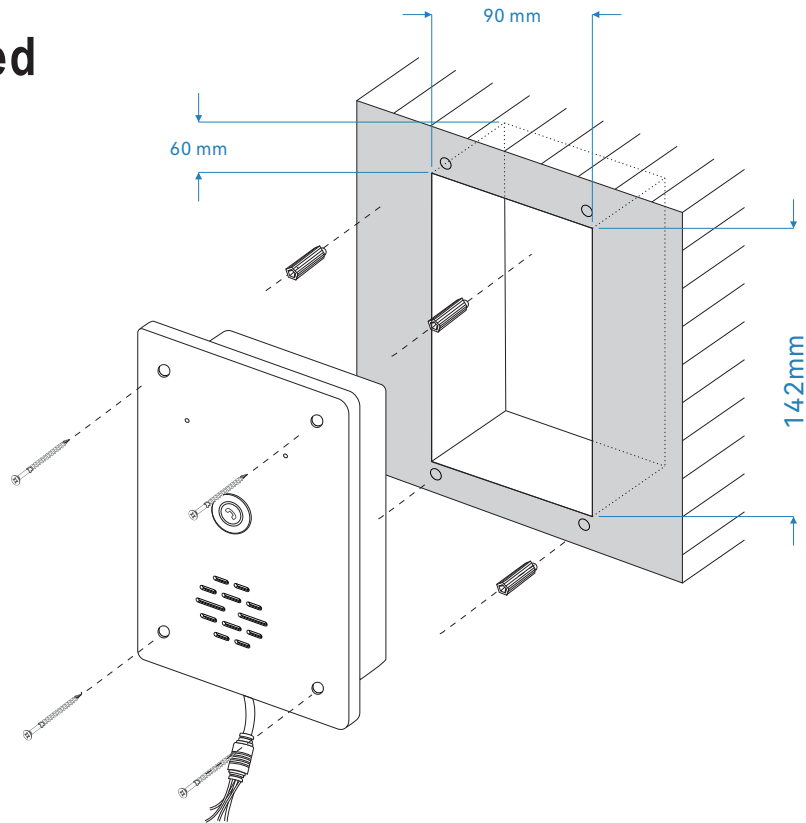
Standard SIP protocol implemented; you can register the intercom into any third-party SIP server such as IPPBX system for multi-use.

Specifications

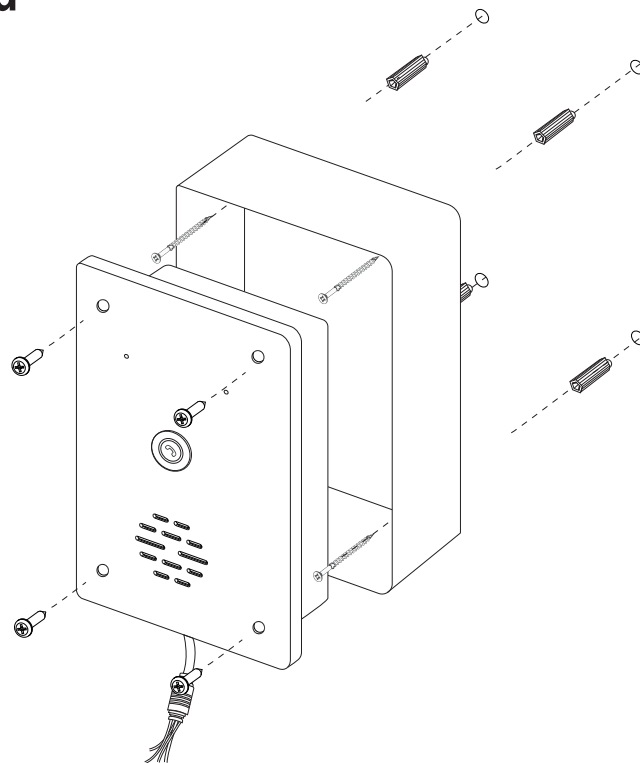
Speaker	Ei-V05	Ei-A05/Ei-D05/Ei-W05
Drive Unit	Φ40mm full frequency drive unit	
Sensitivity	96±3dB/1M/1W	
Distortion	<1%	
Amplifier	5W Single Channel D-class	
Rate Power	8Ω 5W	
Frequency Range	100Hz~20KHz	
Acoustics	Mono	
Microphone		
Microphone	-36±2dB	
Sensor		
Detection Length	N/A	8cm (Ei-W05 only)
Audio Compression		
Audio Codecs	G.722, G.711 A-law, G.711 U-law, Opus	
Music Streaming	MP3 sampling rate 8-48KHz, bit rate 64-320kbps, mono or stereo	
Video		
Camera	1280*720@20fps,640*360@20fps	N/A
Video Codec	H.264	N/A
Network		
Network Interface	10/100Mbps, Support PoE IEEE 802.3at	10/100Mbps, Support PoE IEEE 802.3af/at
Protocols	SIP(RFC3261), HTTP, TCP/IP, SSL, DNS, SNTP, NTP, RTSP, RTP, RTCP, TCP, UDP, MQTT, ICMP, DHCP, ARP, SSH	
Administration		
Configuration	Web interface or auto provisioning server	
Provisioning method	MQTT IoT Protocol	
Mechanical Properties		
Memory	128MB RAM, 256MB Flash	
Power Input	PoE IEEE 802.3 at or DC 12V-2A	PoE IEEE 802.3af or DC 12V-1A
Material	Corrosion-resistant aluminum	
Color	Silver	
Weight	500g	
Dimension	162mm*100mm*44mm	
Mounting Methods	Surface or Flush mounted	
Environmental		
Installation	Indoor/Outdoor	
Operating Temperature	-20°C~50°C (-4°F~122°F)	
Storage Temperature	-40°C~70°C (-40°F~158°F)	
Humidity	10% - 95% RH Non-condensing	
Approvals		
Approvals	EN IEC 62368-1:2020+A11:2020 EN 55032:2015/A11:2020/EN 55035:2017/A11:2020/ENIEC61000-3-2:2019/EN61000-3-3:2013/A1:2019 FCC Part 15B, IP66, IK10	

Installation method

Flush-mounted



Surface-mounted





We Focus · We Deliver

16F, D5, Tianfu Software Park, Chengdu, China

+86 28 85337096

zycoo@zycoo.com