

All-in-One Android Video Collaboration Bar for Small and Huddle Rooms

Yealink MeetingBar A20, an all-in-one video collaboration bar for small and huddle rooms. Featuring 20MP camera and 133° super-wide-angle lens, A20 delivers outstanding video quality. Together with the electric lens cap, its AI technologies including Auto Framing and Speaker Tracking and so on, allow users to experience a smarter and safer video conference. With 8 MEMS microphone arrays and Yealink noise proof technology, A20 brings excellent audio experience in small rooms even in full-duplex mode and ensures that everyone can be heard as well as seen. Moreover, A20 combines computing unit, camera, microphones, speaker, Wi-Fi, and Bluetooth, which provides you a solution of simple deployment. A20 supports for cloud video platforms like Zoom and Microsoft Teams means no room PC or Mac is required. A20 is capable of content sharing and whiteboard that making the meeting more communicative and collaborative. Simple and flexible deployment but powerful features deliver excellent video collaboration performance.



Qualcomm SD845 chipset



20MP Camera



Super Wide FoV



Electric Privacy Shutter



Dual Screen



Auto Framing



Speaker Tracking



All in One Design



Key Features and Benefits

Smart Video Collaboration

Based on Android 9.0 OS, A20 owns native Teams or Zoom experience that all features can be operated by just one touch or by the remote controller. Meanwhile, A20 supports both content sharing and whiteboard that making the meeting more communicative and collaborative.

See Everyone Clearly

Equipped with Qualcomm Snapdragon 845, A20 has strong image processing, encoding and decoding capabilities. Besides, with its 20 MP camera can provide a high-quality video conference experience. With super-wide 133° field of view, everyone in the conference can be seen without adjusting the camera. Moreover, the image brightness can be automatically optimized even in a dim or backlight environment, ensuring the participant faces can be seen clearly.

Smart Video Conferencing with AI Technology

Featuring AI technology, including Auto Framing and Speaker Tracking, A20 not only supports framing the groups automatically according to the number and the position of the participants, but also automatically zoom in the speaker without adjusting the camera, making the participants more focus on the conference.

Precise Sound Localization, Full-Duplex Experience

8 MEMS microphone arrays make A20 have stronger ability of noise proof and dereverberation. The new upgraded beamforming algorithm, together with technology of processing on acoustic echo cancellation and the dereverberation, brings high quality full-duplex call and realizes more precise voice pickup.

All-in-one Design for Fast Start

Integrating computing unit, camera, microphones, speaker, Bluetooth, Wi-Fi and bracket, A20 takes up less space and minimizing cable clutter. For your easy deployment, it is ready for a video conference by simply plugging in the power adapter and HDMI cable. In addition, the Yealink Device Management ensures an easy management to you.

- Qualcomm Snapdragon 845 chipset
- ALL-IN-ONE design
- 20MP camera
- 133° Super filed of view
- Electric Privacy Shutter
- Dual screen
- Auto framing and speaker tracking
- Built-in Bluetooth
- Built-in dual-band Wi-Fi
- Content sharing
- Whiteboard
- Certified by Zoom & Microsoft Teams

Camera

- 20MP Camera
- 133° field of view
- 8x e-PTZ camera
- Electric privacy shutter
- Intelligence Features
 - Auto Framing
 - Speaker Tracking^①

Audio

- Built-in 8 MEMS microphone array
- Built-in 5W high fidelity speaker
- Yealink Noise Proof Technology
- Full-duplex
- Echo cancellation

Operating System

- Android 9.0

Meeting Features

- Calendar
- One-click join
- Meeting collaboration
 - Content sharing
 - Whiteboard
- Meeting control:
 - Add participates
 - Hold/Resume
 - Camera On/Off
 - Mute/Unmute
 - Volume Up/Down
 - Hang up
- Teams Edition
 - Microsoft DM
 - Proximity join
- Zoom Edition
 - Zoom DM
 - Direct sharing

Video Standard and Network Suitability

- Video codecs: H.264 High profile, H.264 SVC, H.264

Network and Security Features

- Built-in dual-band Wi-Fi (2.4GHz/5GHz)
- Built-in Bluetooth
- IPv4 and IPv6, DHCP/static IP
- HTTP/HTTPS web server
- SRTP/TLS, AES 256-bit encryption
- QoS: 802.1p/q, Diff-serv
- VLAN, LLDP
- IEEE802.1X
 - EAP-MD5/EAP-TLS
 - PEAP-MSCHAPv2
 - EAP-TTLS/EAP-MSCHAPv2
- Network diagnosis: Ping, Trace route
- Time and date synchronization using SNTP
- Built-in certificate
- Simple Certificate Enrollment Protocol (SCEP)
 - * coming soon

Connections

- 2 x HDMI output (CEC supported)
- HDMI input (through the VCH51 Sharing Kit)
- Motion sensor (Teams supported)
- 1 x USB 2.0
- 1 x 10/100M/1000M Ethernet port
- 1 x Yealink VCH port (RJ-45)
- 1 x Power port
- 1 x Security lock slot
- 1 x Reset slot

Other Physical Features

- Storage: built-in 64 GB (Available: 40G)

- Chipset: Qualcomm Snapdragon 845 chipset
- Power Adapter: AC 100~240V input
- USB Output: 5V $\overline{=}$ 0.5A
- Power consumption (PSU):
 - Idle < 10W; Normal operating: 10.5W; MAX: 14W
- Dimension (W.D.H): 600 mm x 68 mm x 82 mm
- Operating humidity: 10~95%
- Operating temperature: 0~40°C
- Storage temperature: -30~70°C

MeetingBar A20 Package

- Package contents:
 - MeetingBar A20 endpoint
 - 3m Ethernet cable
 - 2 x 1.8m HDMI cable
 - Mounting Bracket and Accessories
 - Power adapter
 - Quick Start Guide
 - Controller (optional):
 - CTP18 Touch Panel
 - VCR20 Remote Control
 - Content sharing(optional):
 - VCH51 Sharing Kit (HDMI/USB-C)
 - WPP20 Wireless Presentation Pod
- Carton Meas: 674*136*195mm

MeetingBar A20 + CTP18 Package

- Carton Meas: 685*293*215mm

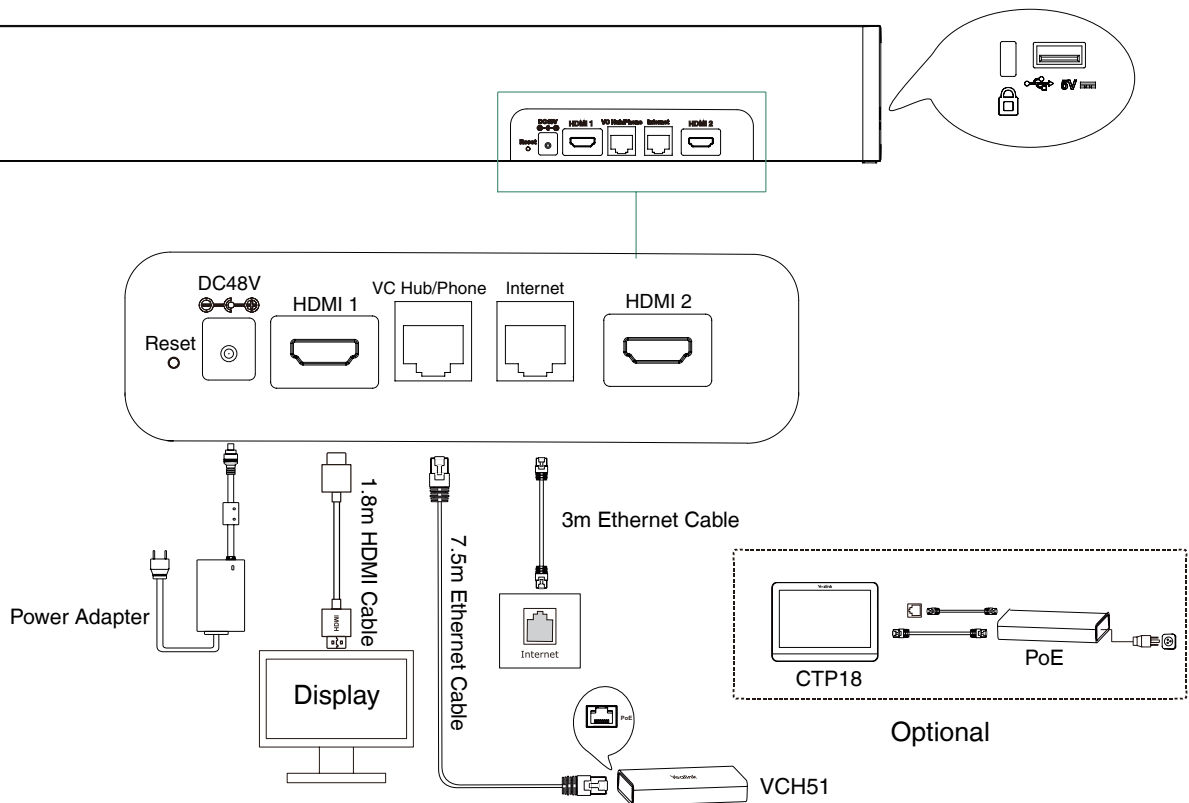
Compliance



Coming Soon:

① The Zoom version does not support this feature yet.

Endpoint Connections



Note:

- If you connect a touch display device, you can operate the A20 either by remote control or touch control.
- If you connect a non-touch display device, you can use the remote control, mouse or CTP18.

About Yealink

Yealink (Stock Code: 300628) is a global brand that specializes in video conferencing, voice communications and collaboration solutions with best-in-class quality, innovative technology and user-friendly experience. As one of the best providers in more than 140 countries and regions, Yealink ranks No.1 in the global market share of SIP phone shipments (Global IP Desktop Phone Growth Excellence Leadership Award Report, Frost & Sullivan, 2019).

Copyright

Copyright © 2021 YEALINK(XIAMEN) NETWORK TECHNOLOGY CO., LTD.

All rights reserved. No parts of this publication may be reproduced or transmitted in any form or by any means, electronic or mechanical, photocopying, recording, or otherwise, for any purpose, without the express written permission of Yealink(Xiamen) Network Technology CO., LTD.

Technical Support

Visit Yealink WIKI (<http://support.yealink.com/>) for firmware downloads, product documents, FAQ, and more. For better service, we sincerely recommend you to use Yealink Ticketing system (<https://ticket.yealink.com>) to submit all your technical issues.



YEALINK(XIAMEN) NETWORK TECHNOLOGY CO.,LTD.
Web: www.yealink.com
Addr: No.1 Ling-Xia North Road, High Tech Park,
Huli District, Xiamen, Fujian, P.R.C
Copyright©2021 Yealink Inc. All right reserved.

A Collaborative Meeting Experience at Your Fingertips

CTP18 is a collaboration touch panel that can be paired with video conference endpoint. Its 8-inch touch screen and native Teams or Zoom controller experience allow users to join or control a meeting quickly and effortlessly. It greatly reduces the difficulty of using video conferencing system and creates a better meeting experience. Cooperating with Microsoft Teams or Zoom, CTP18 can be paired with video conference endpoint and configure the paired device that make the meeting more communicative and collaborative.



Android 9.0
OS



8-inch Multi-
touch Screen



Meeting
Control



Connect with Video
Conference Endpoint



Power over
Ethernet



Adjustable
Screen Angle



Wi-Fi &
Bluetooth



Ultrasonic



Key Features and Benefits

Richer and Easier Meeting Control Features

CTP18 adopts effortless and native Microsoft Teams or Zoom controller experience, making meeting control could not be easier. The touch control of the screen outperforms traditional control modes magnificently. You can create or join a meeting on the home screen, and all meeting controls can be navigated on CTP18 with just a touch or a swipe of your finger, including previewing and adjusting the camera, changing the participant layouts, recording, etc.

More Efficient Collaboration

CTP18 can be paired with video conference endpoint, and multi-touch is performed on the touch screen, which is convenient and simple to control the meeting. Supporting operations such as answering or hanging up calls to meetings, provides an easy and quickly meeting experience. At the same time, the paired devices can be directly configured on the CTP18, reducing multi-directional operations.

Clutter-free Meeting Space

CTP18 supports PoE where one cable carries both data and power for the device. CTP18 supports configuration of paired devices and meeting control features it eliminates the troublesome wiring connection between the TV area and the conference table, creating a clean and well-organized meeting space.

- 8-inch Multi-touch Screen
- Connect to video conference endpoint
- Power over Ethernet
- Meeting control
- Support presentation
- Ultrasonic
- Wall mountable

Operating System

- Based on Android 9.0

Display

- Screen: 8-inch
- Resolution: 1280*800
- Touch: 10 points multi-touch

Network and Security Features

- Built-in dual-band Wi-Fi (2.4GHz/5GHz)
- Built-in Bluetooth
- Built-in Ultrasonic
- IPv4 and IPv6, DHCP/static IP
- HTTP/HTTPS web server
- SRTP/TLS, AES 256-bit encryption
- QoS: 802.1p/q, Diff-serv
- VLAN, LLDP
- IEEE802.1X
 - EAP-MD5/EAP-TLS

- PEAP-MSCHAPv2
- EAP-TTLS/EAP-MSCHAPv2
- Network diagnosis: Ping, Trace route
- Time and date synchronization using SNTP
- Built-in certificate

CTP18 Connection

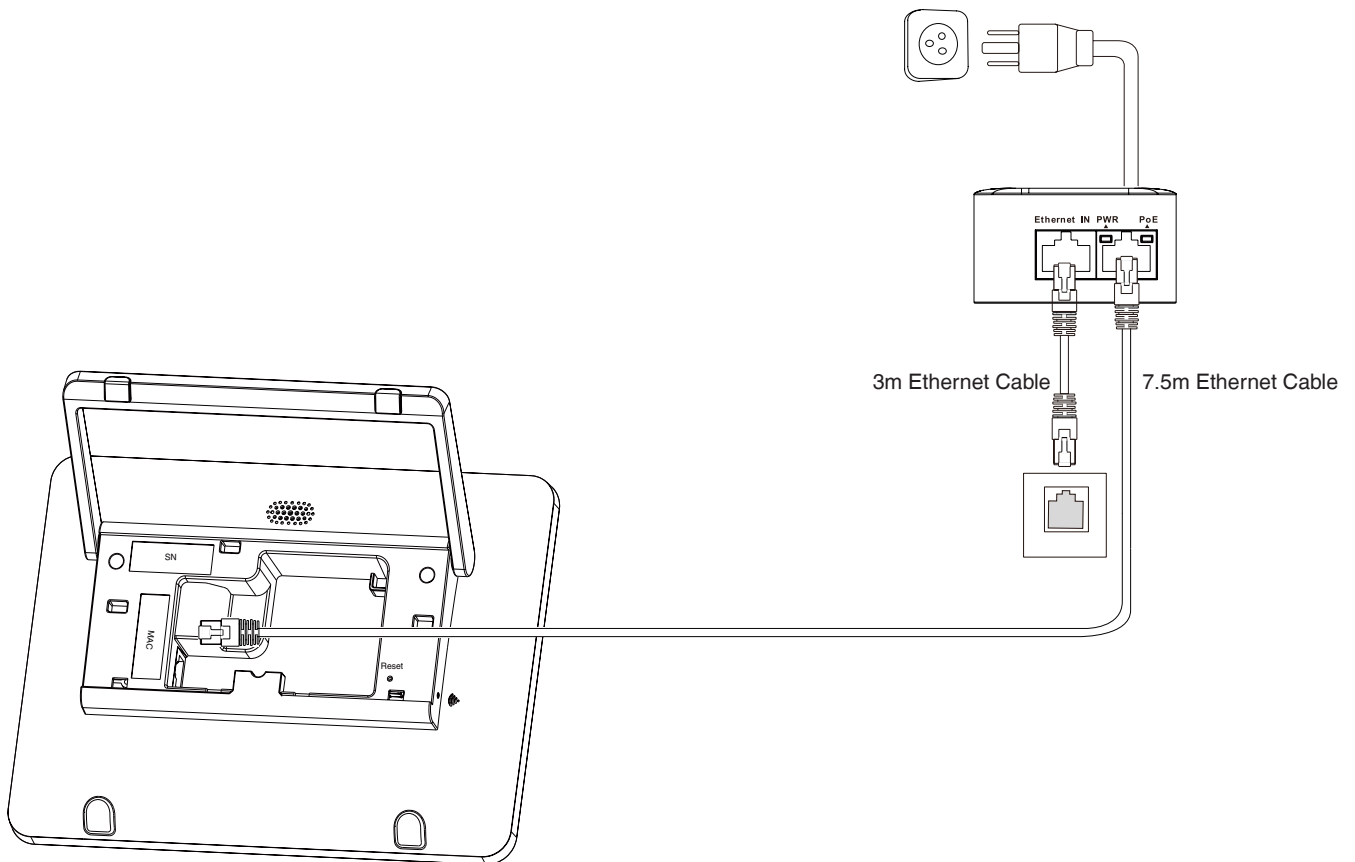
- 1 x USB 2.0
- 1 x Ethernet port (RJ-45) (PoE supported)
- 1 x Reset slot

Other Physical Features

- Power consumption:
 - Normal operating: 7W; Max 8W
- Power input: PoE 48V \leq 0.27A
- Bracket: Integrated bracket, 28°~50° steplessly adjustable
- Dimension (W.D.H): 50° 202*151*100; 28° 202*151*91.5

CTP18 (Teams & Zoom Edition) Package

- Package contents:
 - CTP18
 - 7.5m Ethernet cable
 - 3m Ethernet cable
 - Cable lock box
 - PoE Adapter
 - Mounting Bracket and Accessories
 - Quick Start Guide
- Carton Meas: 265*203*148mm



About Yealink

Yealink is a global leading provider of enterprise communication and collaboration solutions, offering video conferencing service to worldwide enterprises. Focusing on research and development, Yealink also insists on innovation and creation. With the outstanding technical patents of cloud computing, audio, video and image processing technology, Yealink has built up a panoramic collaboration solution of audio and video conferencing by merging its cloud services with a series of endpoints products. As one of the best providers in more than 140 countries and regions including the US, the UK and Australia, Yealink ranks No.1 in the global market share of SIP phone shipments.

Copyright

Copyright © 2020 YEALINK(XIAMEN) NETWORK TECHNOLOGY CO., LTD.

Copyright © 2020 Yealink(Xiamen) Network Technology CO., LTD. All rights reserved. No parts of this publication may be reproduced or transmitted in any form or by any means, electronic or mechanical, photocopying, recording, or otherwise, for any purpose, without the express written permission of Yealink(Xiamen) Network Technology CO., LTD.

Technical Support

Visit Yealink WIKI (<http://support.yealink.com/>) for firmware downloads, product documents, FAQ, and more. For better service, we sincerely recommend you to use Yealink Ticketing system (<https://ticket.yealink.com>) to submit all your technical issues.



YEALINK(XIAMEN) NETWORK TECHNOLOGY CO.,LTD.
Web: www.yealink.com
Addr: No.1 Ling-Xia North Road, High Tech Park,
Huli District, Xiamen, Fujian, P.R.C
Copyright©2020 Yealink Inc. All right reserved.

Wireless Sharing, Efficient Presentation with One-Press

The Yealink WPP30 is a new 4K Ultra HD wireless presentation pod. Empowered with up to 4K/30FPS UHD hardware encode streaming output, WPP30 saves a lot of effort by eliminating any software or driver installation. A USB Type-A/ full-featured USB Type-C port is suitable for different computers and phones. Since WPP30 has the embedded meeting assistant software and Wi-Fi 6 chip, simply plug WPP30 into the devices, and you can quickly ready to present. WPP30 supports wireless connection to existing conference room equipment on personal computers without complicated configuration operations (i.e., BYOD feature). You can easily deploy video conferencing room solutions from providers like Microsoft or Zoom. WPP30 provides you with a more convenient and richer content sharing experience.



One-Press Presenting



Plug-and-play



Bluetooth 5.0



4K UHD



Wi-Fi 6 Chip



Extended Display Casting



Wireless BYOD



Intuitive Remote Control



High Security Encryption



4-Screen Casting

Key Features and Benefits

Wireless Presentation with High Security and Encryption

With Yealink self-built Wi-Fi network, no routers or extra network configuration required. Therefore, WPP30 has low dependence to the business network and makes sharing smooth and easy. Applied with AES encryption and WPA high-security data encryption technology, WPP30 prevents content sharing from accidental leakage or tampering.

4K HD Presentation, Low Latency

Thanks to the high-performance 2x2 MIMO, Wi-Fi 6 module, WPP30 delivers immediate response, smooth and trouble-free presenting experience with low latency. WPP30 supports a 2.4GHz/5GHz dual-band wireless network, perfect anti-interference capability, and up to 4K/30fps ultra HD presentation.

No Extra Driver, Plug-and-play

WPP30 is suitable for the devices that support free collaboration and have full-featured USB Type-C port. WPP30 adopts the built-in hardware encoding chip solution. No need to install any software or driver, and no CPU-occupied.

Rich Collaboration Ways, Efficient Team Work

WPP30 supports up to four streams to be presented simultaneously on the main screen. It can provide annotation and virtual whiteboard features to integrate participant opinions and promote interaction and collaboration between participants. Interoperable with a touchscreen television, intuitive remote control of the computer or laptop is easily enabled by clicking or dragging directly on your interactive television.

Wireless BYOD, Enhancing Meeting Experience

WPP30 can be paired with Yealink MVC/Meeting Bar/Meeting Eye/RoomCast, etc. When you use Zoom, Teams, Tencent Meeting, DingTalk Meeting, and other meeting APP on your laptop to hold a meeting, you can cast the screen with one press. It provides a more stable audio and video data transmission to enhance the user's meeting room experience.

- Self-built Wi-Fi Network
- 4K/30fps Full HD Content Sharing
- Adaptive Software/Hardware Encoding
- Supports Dual-band 2.4GHz/5GHz Wireless Networks
- Plug and Play, without Extra Software or Driver
- Full-featured USB Type-C and USB Type-A Ports
- AES & WPA Data Encryption
- Adapt to Computers and Mobile Phones with Different Ports
- 4-Screen Casting
- Support Annotation/Whiteboard/Reverse Control
- Support Wireless BYOD

WPP30 Specifications

Basic	Decoder	Up to 4k/30fps
	Input Power	5V/600 mA
	Power Consumption	2.2 W (Typical)
	Interface	<ul style="list-style-type: none"> Full-featured USB Type-C×1 USB-C to USB-A Adapter x1
	Button	<ul style="list-style-type: none"> START/STOP Button x 1
Wi-Fi	LED	<ul style="list-style-type: none"> 4K/UHD Indicator ×1 System Error Indicator×1 System Status Indicator×1
	Standard	Wi-Fi 6, 802.11 a/b/g/n/ac/ax
	Frequency	2.4 GHz/5 GHz
Bluetooth	Encryption	WPA-PSK/WPA2-PSK
	Standard	Bluetooth 5.0
Advanced Features	Desktop Sharing	<ul style="list-style-type: none"> Duplicated Display Extended Display
	Collaboration	<ul style="list-style-type: none"> Annotation Virtual Whiteboard Intuitive Remote Control Multiple Screens Share Wireless BYOD (Bring Your Own Device)
Operating Environmental	Temperature range	-10 to 40°C
	Humidity	0 to 95%, non-condensing
Dimensions	Weight (g/lb)	75 g (0.165 lb)
	Size (mm/in)	220 mm × 38 mm × 16 mm (8.66" x 1.50" x0.63")

*Advanced feature differs in different Yealink Room/Video System.

About Yealink

Yealink (Stock Code: 300628) is a global-leading provider of Unified Communication & Collaboration Solutions specialized in video conferencing, voice communications, and collaboration, dedicated to helping every person and organization embrace the power of “Easy Collaboration, High Productivity”.

With best-in-class quality, innovative technology, and user-friendly experiences, Yealink is one of the best providers in more than 140 countries and regions, ranks No.1 in the global market share of IP Phone, and is the Top 5 leader in the video conferencing market (Frost & Sullivan, 2021).

Copyright

Copyright © 2022 YEALINK(XIAMEN) NETWORK TECHNOLOGY CO., LTD.

Copyright © 2022 Yealink(Xiamen) Network Technology CO., LTD. All rights reserved. No parts of this publication may be reproduced or transmitted in any form or by any means, electronic or mechanical, photocopying, recording, or otherwise, for any purpose, without the express written permission of Yealink(Xiamen) Network Technology CO., LTD.

Technical Support

Visit Yealink WIKI (<http://support.yealink.com/>) for firmware downloads, product documents, FAQ, and more. For better service, we sincerely recommend you to use Yealink Ticketing system (<https://ticket.yealink.com>) to submit all your technical issues.



YEALINK(XIAMEN) NETWORK TECHNOLOGY CO.,LTD.
Web: www.yealink.com
Addr: No.1 Ling-Xia North Road, High Tech Park, Huli District,
Xiamen, Fujian, P.R.C
Copyright©2022 Yealink Inc.All right reserved.