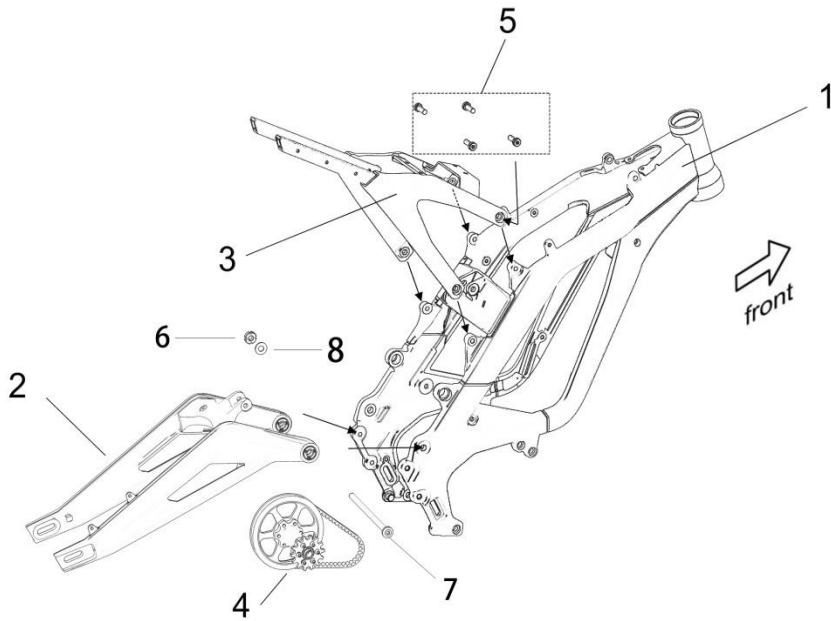
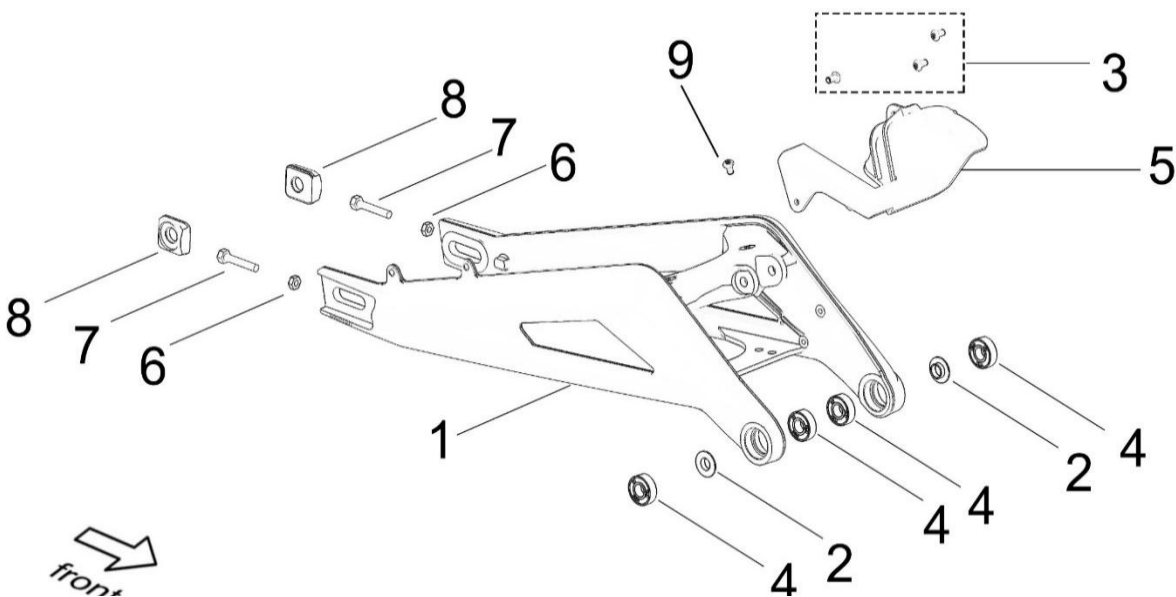


**LIGHT BEE components and parts Illustration-01**



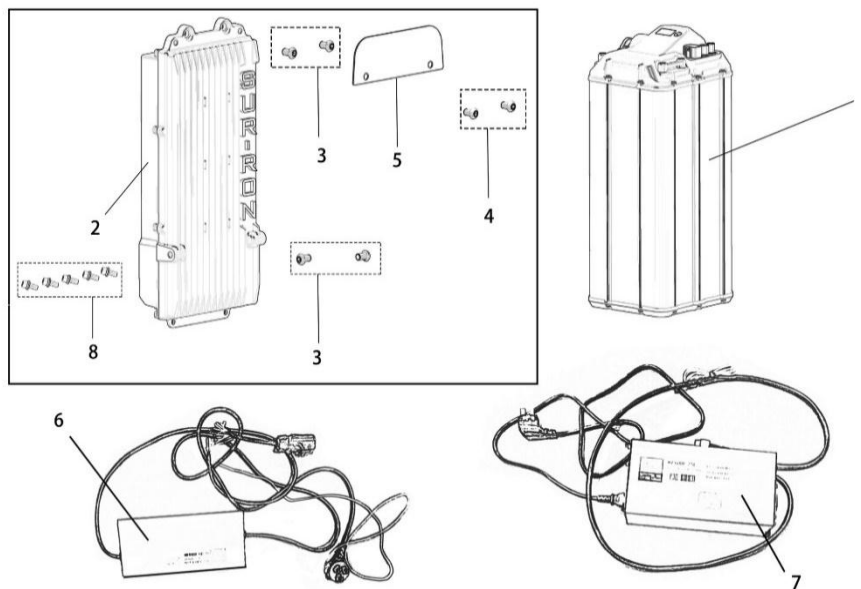
No.	Part Code	Description	Qty	Notes
1_01	41100-YQ2A-0000	Frame Welding Assembly	1	
1_02	61000-YQ2A-0000	Flat Fork Assembly	1	
1_03	41520-YQ2A-0000	Tailstock Assembly	1	
1_04		Bottom Bracket Assembly	1	
1_05	B1-009-08-020-F0	Tailstock Mounting screw(M8*20)	4	Thin inner hexagon socket head cap screws-JBZQ4725-2006
1_06	B4-008-10-F0	Flat fork shaft nut(M10*1.0)	1	Round nut-GB812-88
1_07	61260-YQ2A-0000	Flat fork axis	1	
1_08	B4-001-10	Flat fork shaft mounting washer (Φ10-Φ20-2)	1	Flat washer-GB/T97.1-2002

**LIGHT BEE components and parts Illustration-02**



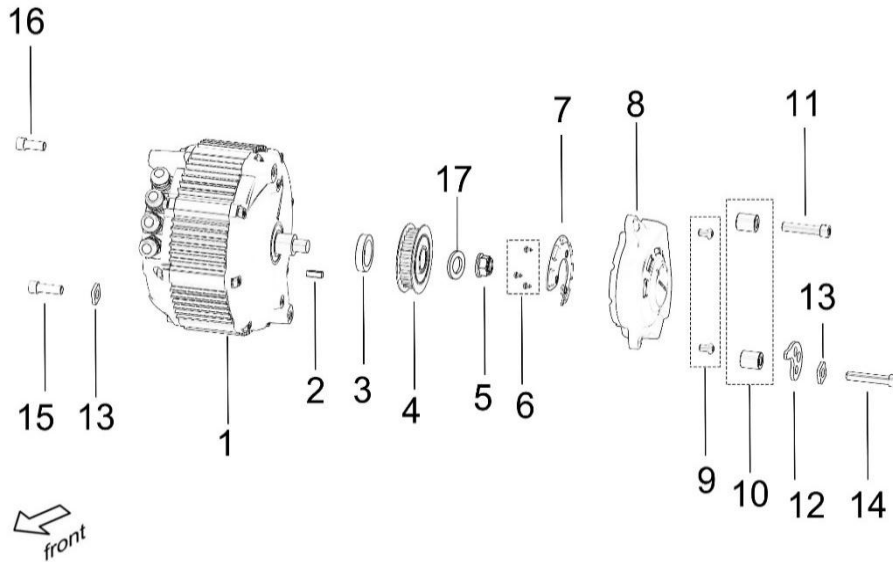
No.	Part Code	Description	Qty	Notes
2_01	61000-YQ2A-0000	Flat fork welding assembly	1	
2_02	FB05-005-10-15-22-2	Flat fork inner washer (Φ10*Φ15*Φ22-2)	2	Steps washer
2_03	B3-002-05-010-F0	Mounting screws for Bottom Bracket Shield (M5*10)	3	Inner hexagon flat head screw-GB/T70.2-2008
2_04	Z-6000-2Z-26-10-08	Flat fork bearing	4	Deep groove ball bearing 6000-2Z-Φ10 Φ26-8-NSK/NTN
2_05	32120-YQ2A-0000	Bottom Bracket Shield (Plastic)	1	
2_06	B2-011-06-F2	Adjusting screw nut for adjuster (M6)	2	Hexagon nut-GB/T6170-2000
2_07	B1-004-06-035-F0	Adjusting bolt for adjuster (M6*35)	2	Hexagon bolt-Full thread-GB/T5783-2000
2_08	61210-YQ2A-0000	Adjuster	2	
2_09	B3-002-05-010-F0	Mounting screws for Nylon wire clip 2	1	Inner hexagon flat head screw-GB/T70.2-2008

### LIGHT BEE components and parts Illustration-03



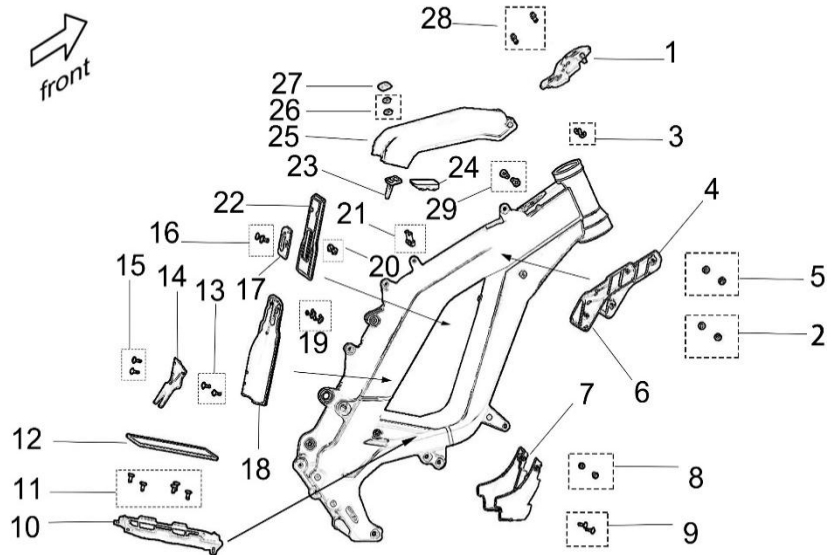
No.	Part Code	Description	Qty	Notes
3_01	26000-YQ2A-0000	Lithium Battery Assembly(48V/25Ah)	1	
	26000-YQ2A-0100	Lithium Battery Assembly(60V/32Ah)	1	
3_02	21100-YQ2A-0000	Motor Controller Assembly	1	80A/48V Dual Power Mode-Aluminum Shell
3_03	B3-002-06-010-F0	Motor Controller Mounting Screw (M6*10)	4	Inner hexagon flat head screw-GB/T70.2-2008
3_04	B3-002-05-010-F0	Mounting screw for upper decorative board of controller (M5*10)	2	Inner hexagon flat head screw-GB/T70.2-2008
3_05	21103-YQ2A-0000	Upper decorative board of controller	1	
3_06	21700-YQ2A-0000	Battery Charger 58.8V-5A	1	
	21700-YQ2A-0200	Battery Charger 58.8V-10A	1	
3_07	21700-YQ2A-0100	Battery Charger 67.2V-10A	1	
3_08	B8-001-06-016-F2	Mounting screw for controller phase line (M6*16)	5	Inner hexagon socket head cap screws with flat cushion-GB/T70.1-2008

**LIGHT BEE components and parts Illustration-04**



No.	Part Code	Description	Qty	Notes
4_01	11000-YQ2A-0000	Motor Assembly	1	3KW/48V/4000 rounds-Male thread M12*1.25-Matte black baking varnish
4_02	B7-001-25-35-7-FB	Motor oil seal	1	TC oil seal $\Phi 25-\Phi 35-7$
4_03	B6-003-05-016	Flat round key (5*5*16mm)	1	Steel C - flat keys -GB/T1096-2003
4_04	13201-YQ2A-0100	Front pulley	1	HTD Timing Pulley-45#-8M-15mm wide-23 gears-black baking varnish
	13211-YQ2A-0000	Primary Driving small sprocket 1 (13 gears)	1	Paired with primary driving large sprocket with 30 gears
	13211-YQ2A-0100	Primary Driving small sprocket 2 (11 gears)	1	Paired with primary driving large sprocket with 31 gears
4_05	B2-006-12-F2	Front pulley lock nut (M12*1.25)	1	Hexagon flange face lock nut GB/T6187.2-2000
4_06	B3-006-2.9-6-F1	Mounting self-tapping screw for front pully shield lining (ST2.9*6)	3	GB/T845-85
4_07	32332-YQ2A-0000	front pully shield lining (plastic)	1	
4_08	32331-YQ2A-0000	Front pully shield (plastic)	1	
4_09	B3-002-06-010-F0	Mounting bolt for front pully shield (M6*10)	2	inner hexagon socket head cap screws GB/T70.2-2008
4_10	11216-YQ2A-0000	Left mounting bushing for Motor	2	Aluminium alloy 6082- $\Phi 8*\Phi 20-19\text{mm}$
4_11	B3-001-08-040-F0	Upper left mounting screw for Motor assembly (M8*40)	1	inner hexagon socket head cap screws-GB/T70.1-2008
4_12	11171-YQ2A-0000	Motor position adjuster	1	
4_13	11172-YQ2A-0000	Pressplate for Motor position adjuster	2	
4_14	B3-001-08-045-F0	Lower left mounting screw for Motor assembly (M8*45)	1	inner hexagon socket head cap screws-GB/T70.1-2008
4_15	B3-001-08-020-F0	Upper right mounting screw for Motor assembly (M8*20)	1	inner hexagon socket head cap screws-GB/T70.1-2008
4_16	B3-001-08-025-F0	Lower right mounting screw for Motor assembly (M8*20)	1	inner hexagon socket head cap screws-GB/T70.1-2008
4_17	FB05-002-23-12-1-F3	Front pulley mounting washer	1	disc washer

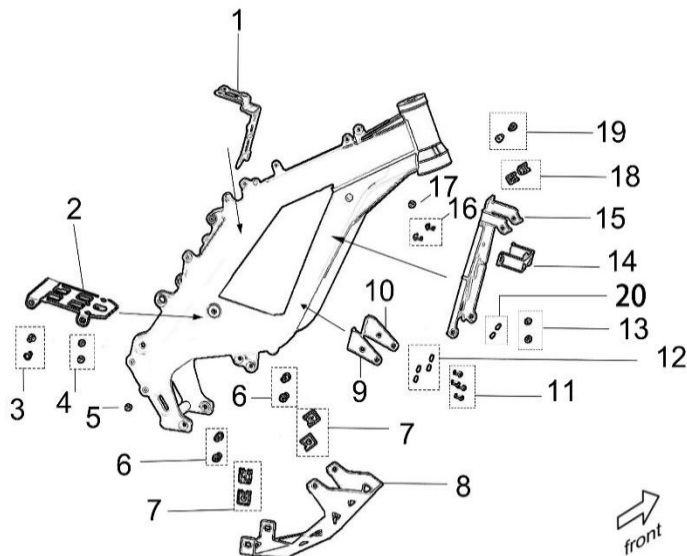
**LIGHT BEE components and parts Illustration-05**



No.	Part Code	Description	Qty	Notes
5_01	32340-YQ2A-0000	Decorative cover of electric control lock (plastic)	1	
5_02	B3-003-05-010-F0	Mounting screw for right limit block of battery (M5*10)	2	Inner hexagon socket countersunk head screws-GB/T70.3-2008
5_03	B4-007-05-F1	Split washer for Battery compartment cover (Inner diameterΦ5)	2	Split washer (Circlip) -GB/T896-1986
5_04	32356-YQ2A-0000	Left limit block of battery (plastic)	1	
5_05	B3-003-05-010-F0	Mounting screw for left limit block of battery (M5*10)	2	Inner hexagon socket countersunk head screws-GB/T70.3-2008
5_06	32357-YQ2A-0000	Right limit block of battery (plastic)	1	
5_07	32361-YQ2A-0000	Lower decorative cover of controller (plastic)	1	
5_08	B3-002-06-010-F0	Mounting screw A for lower decorative board of controller (M6*10)	2	Inner hexagon flat head screw-GB/T70.2-2008
5_09	FB3-003-04-013-F3	Mounting screw B for lower decorative board of controller (M4*13)	2	Crosshead double self-tapping screw
5_10	32358-YQ2A-0000	Lower limit of battery assembly (plastic)	1	
5_11	B3-003-05-012-F0	Mounting screw for lower limit of battery (M5*12)	5	Inner hexagon socket countersunk head screws-GB/T70.3-2008
5_12	81172-YQ2A-0000	Lower cushion foam of battery	1	
5_13	FB3-003-04-013-F3	Lower mounting screw for rear fender of battery assembly	2	Crosshead double self-tapping screw
5_14	32365-YQ2A-0000	Small fender of synchronous wheel (plastic)	1	
5_15	FB3-003-04-013-F3	Mounting screw for small fender of synchronous wheel (M4*13)	2	Crosshead double self-tapping screw
5_16	B3-003-05-016-F0	Mounting screw for front limit support block of battery (M5*16)	2	Inner hexagon socket countersunk head screws-GB/T70.3-2008
5_17	32353-YQ2A-0000	Front limit support block of battery (plastic)	1	
5_18	32355-YQ2A-0000	Rear fender of battery assembly (plastic)	1	
5_19	FB3-001-06-012-F0	Upper mounting screw for rear fender of battery assembly (M6*12)	2	Inner hexagon cap screw (cap 14)

5_20	B2-006-05-F2	Mounting nut for front limit support block of battery (M5)	2	Hexagon flange face lock nut-GB/T6187.1-2000
5_21	B3-002-06-012-F2	Set screws for Battery lock bracket hooks (M6*12)	2	Inner hexagon flat head screw-GB/T70.2-2008
5_22	81171-YQ2A-0000	Front cushion foam of battery	1	
5_23	26290-YQ2A-0000	Battery lock bracket hooks	1	
5_24	32233-YQ2A-0000	Cushion rubber of Battery compartment cover	1	
5_25	32231-YQ2A-0000	Battery compartment cover (plastic)	1	
5_26	B2-001-06-F2	Fixed nut for Battery lock bracket hooks (M6)	2	hexagon nut-GB/T6170-2000
5_27	82124-YQ2A-0000	Hard Sign (plastic)	1	
5_28	B3-002-06-010-F0	Mounting screw for decorative cover of electric control lock (M6*10)	2	Inner hexagon flat head screw-GB/T70.2-2008
5_29	41762-YQ2A-0000	Pin roll for Battery compartment cover	2	

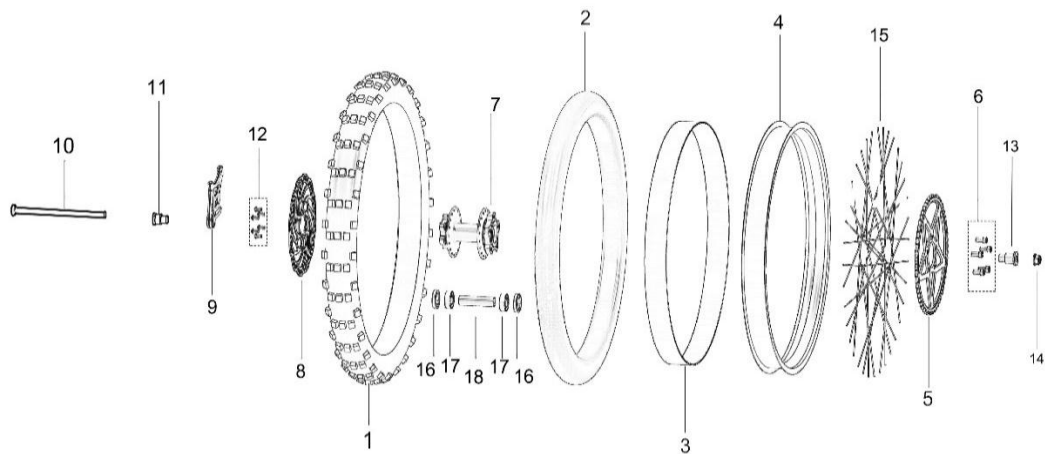
**LIGHT BEE components and parts Illustration-06**



No.	Part Code	Description	Qty	Notes
6_01	32354-YQ2A-0000	Rear support plate of battery assembly	1	
6_02	41690-YQ2A-0000	Lower support plate of battery assembly	1	
6_03	FB3-001-06-016-F0	Mounting screw A for lower support plate of battery assembly (M6*16)	2	Inner hexagon cap screw (cap 14)
6_04	B3-001-06-010-F0	Mounting screw B for lower support plate of battery assembly (M6*10)	2	inner hexagon socket head cap screws-GB/T70.1-2008
6_05	B4-009-06-014-F0	Limit pin of Motor position adjuster (M6*14)	1	Cylindrical pin with external thread-GB878-86
6_06	B1-001-08-020-F0	Mounting screw for motor shield (M8*20)	4	Thin inner hexagon socket head cap screws -JBZQ4725-2006
6_07	FB02-003-08-F2	Mounting nut clamp for motor shield (M8)	4	
6_08	41750-YQ2A-0000	Motor shield	1	
6_09	41740-YQ2A-0000	Lower right mounting bracket of controller	1	
6_10	41730-YQ2A-0000	Lower left mounting bracket of controller	1	
6_11	B3-002-06-010-F0	Mounting screw for lower mounting bracket of controller (M6*10)	4	Inner hexagon flat head screw-GB/T70.2-2008
6_12	B4-002-06-F2	Mounting washer for lower mounting bracket of controller (Φ6)	4	Spring washer-GB/T93-1987

6_13	B3-001-06-012-F0	Lower mounting screw for front baffle of battery assembly (M6*12)	2	inner hexagon socket head cap screws-GB/T70.1-2008
6_14	41710-YQ2A-0000	Upper mounting bracket of controller	1	
6_15	41670-YQ2A-0000	Front baffle of battery assembly	1	
6_16	B3-002-06-012-F0	Mounting screw for upper mounting bracket of controller (M6*12)	2	Inner hexagon flat head screw-GB/T70.2-2008
6_17	B3-002-05-010-F0	Front set mounting screw for wire harness (M5*10)	1	Inner hexagon flat head screw-GB/T70.2-2008
6_18	FB02-001-06-F2	Mounting nut clamp for front baffle of battery assembly (M6)	2	
6_19	B3-001-06-016-F0	Upper mounting screw for front baffle of battery assembly (M6*16)	2	inner hexagon socket head cap screws-GB/T70.1-2008
6_20	B4-002-06-F2	Lower mounting washer for front baffle of battery assembly (Φ6)	2	Spring washer-GB/T93-1987

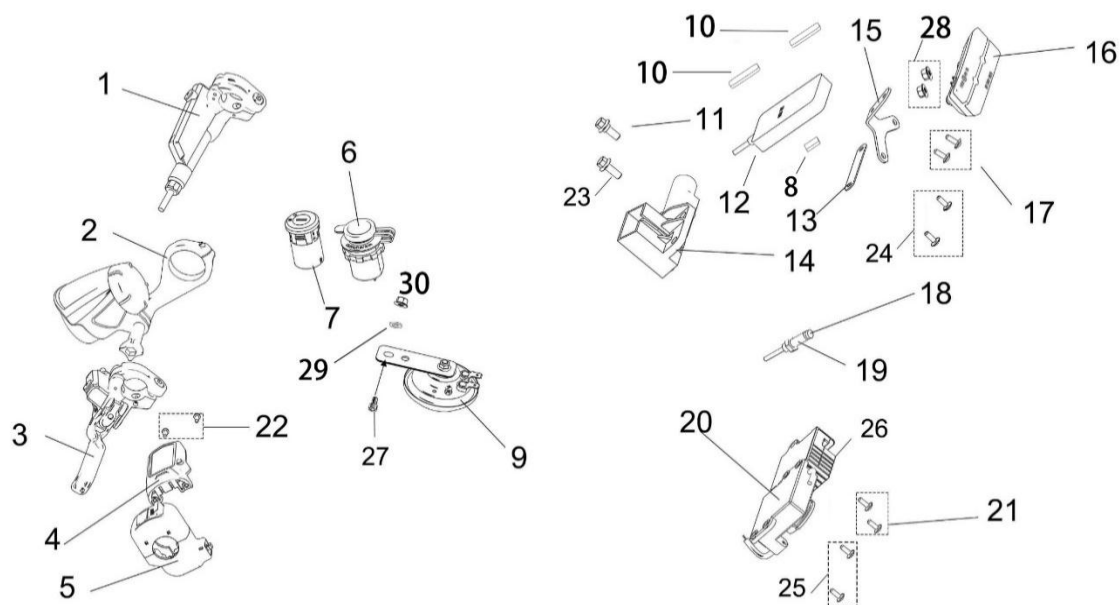
### LIGHT BEE components and parts illustration-07



No.	Part Code	Description	Qty	Notes
7_01	51231-YQ2A-0000	Shoe of rear wheel	1	70/100-19-Lightweight cross-country tire
7_02	51232-YQ2A-0000	Inner tube of rear wheel	1	70-100-19 inner tube
7_03	51266-YQ2A-0000	Flap of rim	1	19 inch-20mm wide *1mm thick
7_04	51271-YQ2A-0000	Rear rim	1	19寸*1.4 Aluminum ring 36 holes-5.2mm
7_05	13204-YQ2A-0000	Rear sprocket (48 gears)	1	
	13204-YQ2A-0100	Rear sprocket (58 gears)	1	
	13204-YQ2A-0200	Rear sprocket (42 gears)	1	
7_06	B3-001-08-016-F0	Mounting screw for rear sprocket (M8*16)	5	inner hexagon socket head cap screws-GB/T70.1-2008
7_07	51311-YQ2A-0000	Rear hub	1	
7_08	52271-YQ2A-0000	Rear disc brake	1	Φ203-thick 2.0mm-attachment face diameter Φ54mm
7_09	52280-YQ2A-0000	Rear brake caliper bracket	1	
7_10	51350-YQ2A-0000	Rear wheel axle	1	
7_11	51362-YQ2A-0000	Left steps bushing for rear wheel	1	45钢-Φ12-Φ15-Φ20-Φ28-27

7_12	B3-002-06-012-F2	Mounting screw for rear disc brake (M6*12)	6	Inner hexagon flat head screw-GB/T70.2-2008
7_13	51361-YQ2A-0000	Right steps bushing for rear wheel	1	45钢-Φ12-Φ15-Φ20-Φ28-34
7_14	B2-006-12-F2	Nut for rear wheel axle (M12*1.25)	1	Hexagon flange face lock nut-GB/T6187.2-2000
7_15	51390-YQ2A-0000	Spoke assembly	36	12G-Stainless steel spoke-nut
7_16	B7-001-20-37-7	Rear hub oil seal(Φ20-Φ37-7)	2	TC oil seal-KOK/TTO
7_17	Z-6202-35-15-11	Rear hub bearing(Φ15*Φ35*11)	2	Deep groove ball bearing6202 -NSK/NTN
7_18	51363-YQ2A-0000	inner bushing for rear hub	1	Steel 20CrMo-Φ19*Φ15*74mm

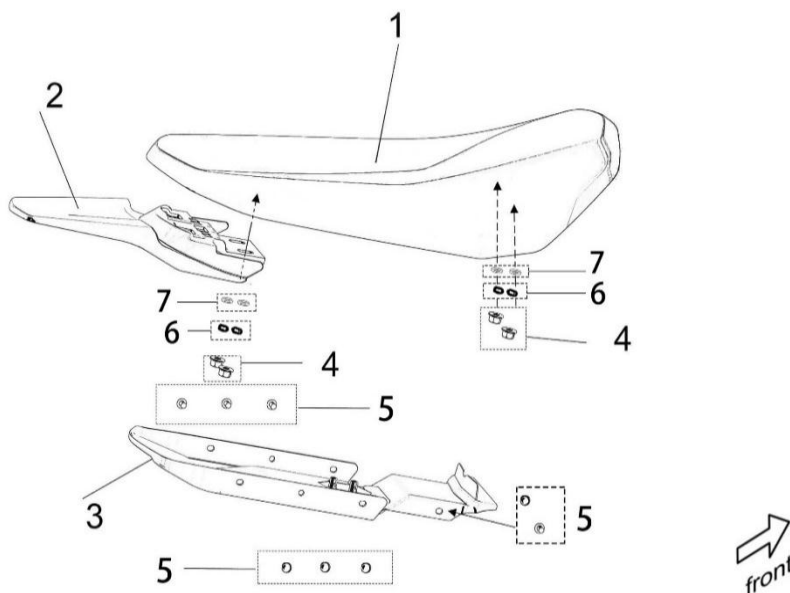
### LIGHT BEE components and parts illustration-08



No.	Part Code	Description	Qty	Notes
8_01	52110-YQ2A-0000	Front brake main pump assembly (with mounting screw M6*18)	1	
8_02	22100-YQ2A-0000	Headlight assembly	1	
8_03	52210-YQ2A-0000	Rear brake main pump assembly (with mounting screw M6*18)	1	
8_04	25100-YQ2A-0000	Meter	1	
8_05	23200-YQ2A-0000	Left combination switch	1	
8_06	24600-YQ2A-0000	USB interface	1	
8_07	27260-YQ2A-0000	Electric control lock	1	
8_08	81174-YQ2A-0000	Lower cushion foam for GPS	1	
8_09	29310-NM1A-0000	Horn	1	Single horn-1.5A/12V-3C-EC-black baking varnish
8_10	81173-YQ2A-0000	Upper cushion foam for GPS	2	
8_11	B1-008-06-016-F2	Mounting screw A for battery lock bracket (M6*16)	1	Hexagon flange face bolt-GB/T5789-1986
8_12	21260-YQ2A-0000	GPS Control (with data flow card)	1	康凯斯ET210GPS electric motor positioning terminal
8_13	21230-YQ2A-0000	Fixed bracket for GPS	1	
8_14	27500-YQ2A-0000	Battery box lock	1	
8_15	41660-YQ2A-0000	Taillight mounting bracket	1	

8_16	22200-YQ2A-0000	Taillight	1	Taillight-M1-EB-LED-with reflecting plate - Germany K Mark- Z Mark certification
8_17	FB3-003-04-013-F3	Set screw for Taillight mounting braket (M4*13)	2	Crosshead double self-tapping screw
8_18	41571-YQ2A-0000	Induction magnet for Side Stand Flameout Switch	1	
8_19	23400-YQ2A-0000	Side Stand Flameout Switch	1	
8_20	23700-NM1A-0000	Speed Adjustment Central Controller	1	
8_21	FB3-003-04-013-F3	Set screw for Converter	2	Crosshead double self-tapping screw
8_22	B3-006-002-F1	Set screw for Meter (ST2.9*9.5)	2	Crosshead self-tapping screw-GB/T84585
8_23	FB01-003-06-016-F2	Mounting screw B for battery lock bracket (M6*16)	1	Hexagonal flange face step bolt
8_24	FB3-003-04-013-F3	Set screw for GPS(M4*13)	2	Crosshead double self-tapping screw
8_25	FB3-003-04-013-F3	Mounting screw for Speed Adjustment Central Controller (M4*13)	2	Crosshead double self-tapping screw
8_26	21300-YQ2A-0000	Converter assembly	1	
8_27	B3-001-06-016-F0	Set screw for Horn (M6*16)	1	inner hexagon socket head cap screws-GB/T70.1
8_28	B2-006-05-F2	Mounting nut for Taillight (M5)	2	Hexagon flange face lock nut-GB/T6187.1-2000
	B2-006-06-F1	Mounting nut for Rear reflector (M6)	1	Hexagon flange face lock nut-GB/T6187.1-2000
8_29	B2-006-06-F2	Mounting nut for Horn (M6)	1	Hexagon flange face lock nut-GB/T6187.2-2000
8_30	B4-001-06-F1	Mounting flat washer for Horn(Φ6)	1	Flat washer-GB/T97.1-2002

### LIGHT BEE components and parts Illustration-09



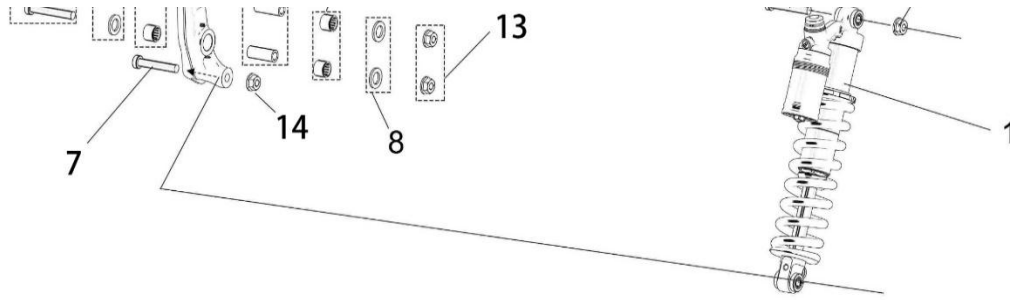
No.	Part Code	Description	Qty	Notes
9_01	32300-YQ2A-0000	Seat assembly (plastic)	1	
9_02	31321-YQ2A-0000	Rear fender (plastic)	1	
9_03	31340-YQ2A-0000	Rear inner fender (plastic)	1	



9_04	B2-006-06-F2	Mounting nut for seat (M6)	4	Hexagon flange face lock nut-GB/T6187.1-2000
9_05	B5-004-R5075	Mounting screw for rear inner fender	8	Nylon rivet-R5075
9_06	B4-002-06-F2	Mounting spring washer for seat (Φ6)	4	Spring washer-GB/T93-1987
9_07	B4-001-6-F1	Mounting flat washer for seat (Φ6)	4	Flat washer-GB/T97.1-2002

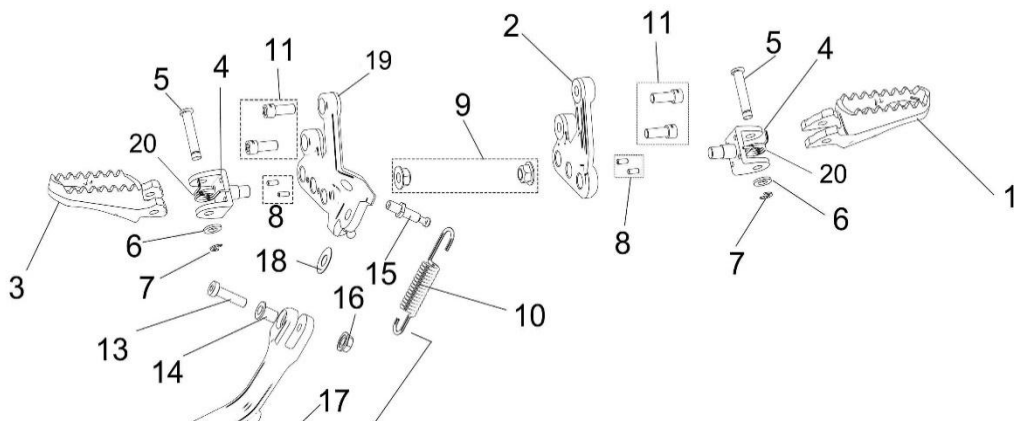
LIGHT BEE components and parts Illustration-10				
No.	Part Code	Description	Qty	Notes
10_01	B3-006-003-F1	Left and right coupling screws for decorative cover of battery lock bracket (ST4.2*13)	1	Crosshead self-tapping screw-GB/T84585
10_02	FB02-001-04-F2	Left and right connecting tapping clamps for decorative cover of battery lock bracket (M4)	1	
10_03	32351-YQ2A-0000	Left decorative cover of battery lock bracket (plastic)	1	
10_04	FB3-001-06-012-F0	Mounting screw B for decorative cover of battery lock bracket (M6*12)	2	Inner hexagon cap screw (cap 14)
10_05	32352-YQ2A-0000	Right decorative cover of battery lock bracket (plastic)	1	
10_06	B3-002-06-010-F0	Mounting screw A for decorative cover of battery lock bracket (M6*10)	2	Inner hexagon flat head screw-GB/T70.2-2008
10_07	27516-YQ2A-0000	Decorative ring for battery box lock (plastic)	1	

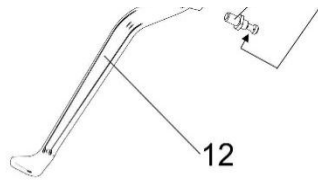
LIGHT BEE components and parts Illustration-11				



No.	Part Code	Description	Qty	Notes
11_01	55110-YQ2A-0000	Rear shock absorber assembly	1	Assembly 265- travel 87mm-Φ8 hole width 24mm -spring 350pound/inch
	55110-YQ2A-0100	Rear shock absorber assembly	1	Assembly 265- travel 87mm-Φ8 hole width 24mm -spring 450pound/inch
11_02	55148-YQ2A-0000	Rear shock absorber connecting rod	1	
11_03	55141-YQ2A-0000	Rear shock absorber rocker arm	1	
11_04	B3-001-08-035-F2	Mounting bolt for connecting rod (M8*35)	2	inner hexagon socket head cap screws GB/T70.1-2008-12.9 grade
11_05	B3-001-08-055-F2	Mounting shaft for rear shock absorber rocker arm (Half thread L55-M8)	2	inner hexagon socket head cap screws GB/T70.1-2008-12.9 grade
11_06	B3-001-08-050-F2	Upper mounting screw for rear shock absorber (Half thread L50-M8)	1	inner hexagon socket head cap screws GB/T70.1-2008-12.9 grade
11_07	B3-001-08-045-F2	Lower mounting screw for rear shock absorber (Half thread L45-M8)	1	inner hexagon socket head cap screws GB/T70.1-2008-12.9 grade
11_08	55163-YQ2A-0000	Nylon washer (Φ12-Φ20-2)	8	
11_09	Z-HK1212-16-12-12	Rocker bearing	6	Needle bearing Φ12-Φ16-12-NSK
11_10	55142-YQ2A-0000	Rocker arm bushing	4	Bushing Φ8-Φ12-30-Heat treatment
11_11	55162-YQ2A-0000	Connecting rod bushing	2	Bushing-20CrMo,Grinding after heart treatment-Φ8-Φ12-16.5
11_12	B4-001-08-F1	Mounting flat washer for connecting rod (Φ8)	2	Flat washer-GB/T97.1-2002
11_13	B2-006-08-F2	Mounting nut for rear rocker arm (M8)	2	Hexagon flange face lock nut-GB/T6187.1-2000
11_14	B2-006-08-F2	Mounting nut for rear shock absorber (M8)	2	Hexagon flange face lock nut-GB/T6187.1-2000

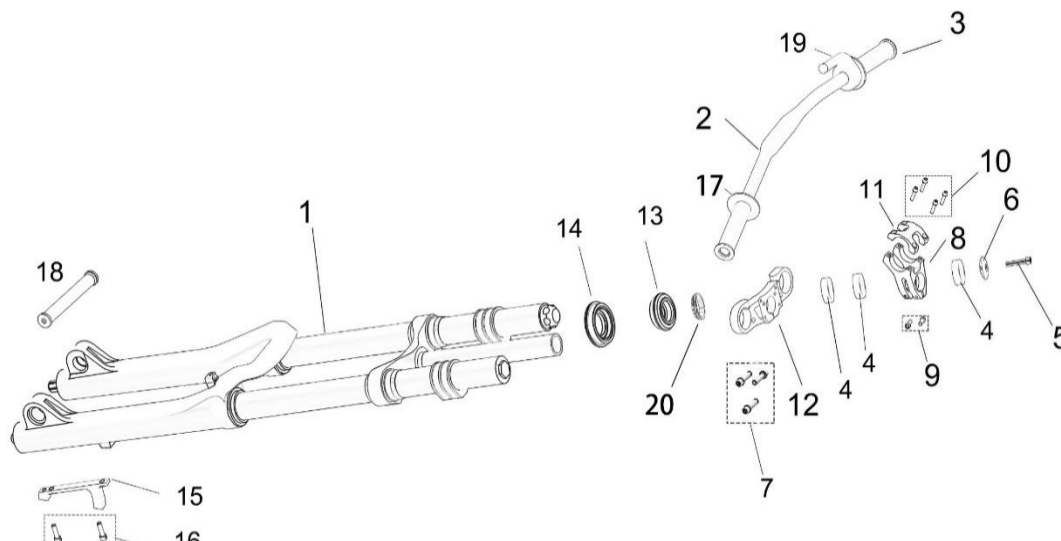
**LIGHT BEE components and parts illustration-12**





No.	Part Code	Description	Qty	Notes
12_01	42211-YQ2A-0000	Right pedal	1	
12_02	42212-YQ2A-0000	Right pedal bracket	1	
12_03	42111-YQ2A-0000	Left pedal	1	
12_04	42122-YQ2A-0000	Pedal connecting bracket	2	
12_05	42116-YQ2A-0000	Pedal mounting pin	2	Pin roll -30钢-Φ8*37
12_06	B4-001-08-F1	Pedal flat washer	2	Flat washer-GB/T97.1-2002
12_07	B4-007-06-F1	Pedal circlip (Inner diameterΦ6)	2	Split washer-GB/T896-1986
12_08	4-008-04-010-F0	Dowel pin of pedal conneting bracket (Φ4*10)	4	Cylindrical pin-GB/T119.1-2000
12_09	B2-006-10-F2	Mounting nut for pedal connecting bracket (M10*1.25)	2	Hexagon flange face lock nut-GB/T6187.1-2000
12_10	41556-YQ2A-0000	Side stand spring	1	Φ3*L100-Effective turns number 15
12_11	B3-001-08-020-F0	Mounting screw for pedal assembly (M8*20)	4	inner hexagon socket head cap -GB/T70.1-2008
12_12	41550-YQ2A-0000	Side stand	1	
12_13	B1-009-08-035-F0	Mounting screw for side stand (M8*35)	1	Thin inner hexagon socket head cap -JBZQ4725-2006
12_14	41557-YQ2A-0000	Side stand flanging bushing	1	Φ16*Φ10*Φ8-16
12_15	41554-YQ2A-0000	Spring hanger pin A for side stand	1	
12_16	B2-006-08-F2	Mounting nut for side stand (M8)	1	Hexagon flange face lock nut-GB/T6187.1-2000
12_17	41555-YQ2A-0000	Spring hanger pin B for side stand	1	
12_18	41558-YQ2A-0000	Mounting washer for side stand (Φ24*Φ10-0.5)	1	
12_19	42112-YQ2A-0000	Left pedal bracket	1	
12_20	42115-YQ2A-0000	Pedal return spring	2	

### LIGHT BEE components and parts Illustration-13

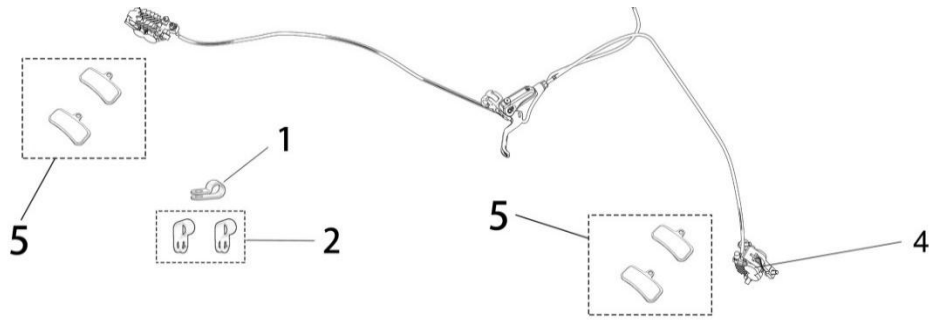


No.	Part Code	Description	Qty	Notes
13_01	51000-YQ2A-0000	Front fork assembly	1	Double-shoulder DH shock absorber: 200/740mm- with steering column
	51000-YQ2A-0100	Front fork assembly (FAST with lock screw for front wheel axle)	1	Double-shoulder DH inverted pressure shock absorber : 200/750mm-with steering column
13_02	51150-YQ2A-0000	Handlebar	1	
13_03	23820-YQ2A-0000	Right handle grip	1	
13_04	51195-YQ2A-0000	Handlebar Stem washer (RST)	3	
	51195-YQ2A-0000	Handlebar Stem washer (FAST)	4	
13_05	51185-YQ2A-0000	headset decorative screw assembly	1	Standerd parts of headset
13_06	51183-YQ2A-0000	Handlebar Stem locking cap	1	
13_07	B3-001-05-014-F0	lock screw for upper connecting bracket of steering column (M5*14)	3	Standerd parts of front fork
	B3-001-06-020-F0	lock screw for upper connecting bracket of steering column (FAST-M6*20)	3	Standerd parts of front fork
13_08	51162-YQ2A-0000	Handlebar stem base	1	
13_09	B8-001-06-018-F0	Lock screw for handlebar stem (M6*18-with washer)	2	Standerd parts of handlebar stem
13_10	B8-001-05-018-F0	Lock screw for handlebar stem (M5*18-with washer)	4	Standerd parts of handlebar stem
13_11	51164-YQ2A-0000	Handlebar stem cap	1	
13_12	51121-YQ2A-0000	Upper connecting bracket of steering column (RST)	1	
	51121-YQ2A-0100	Upper connecting bracket of steering column (FAST)	1	
13_13	51182-YQ2A-0000	Upper headset of steering column	1	
13_14	51181-YQ2A-0000	Lower headset of steering column	1	
13_15	B3-001-06-010-F0	Mounting screw for front brake pump adapter (M6*18 Only for RST front fork)	2	inner hexagon socket head cap - GB/T70.1-2008
13_16	52180-YQ2A-0000	Front brake pump adapter (only for RST front fork)	1	
13_17	23810-YQ2A-0000	Left handle grip	1	
13_18	51250-YQ2A-0000	Front wheel axle assembly (RST)	1	
	51250-YQ2A-0100	Front wheel axle assembly (FAST)	1	
13_19	23900-YQ2A-0000	Oiler	1	
13_20	51184-YQ2A-0000	Cottar snap ring	1	

**LIGHT BEE components and parts Illustration-14**

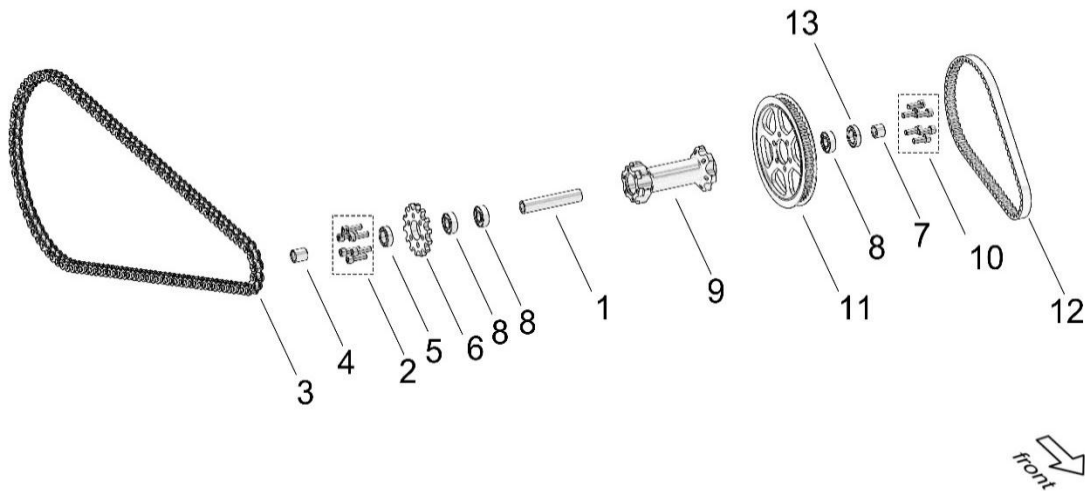
3





No.	Part Code	Description	Qty	Notes
14_01	81138-YQ2A-0000	Nylon wire clip 1	1	Black Nylon plastic - wire clip -LR-1/4 diametre 6.35mm
14_02	81137-YQ2A0000	Nylon wire clip 2	2	Black Nylon plastic - large wire clip LR-3/8 diametre 9.5mm
14_03	52290-YQ2A-0000	Rear brake caliper assembly (with mounting screw M6*18 - with washer)	1	
14_04	52190-YQ2A-0000	Front brake caliper assembly (with mounting screw M6*18 - with washer)	1	
14_05	52191-YQ2A-0000	Brake shoe (pair)	2	

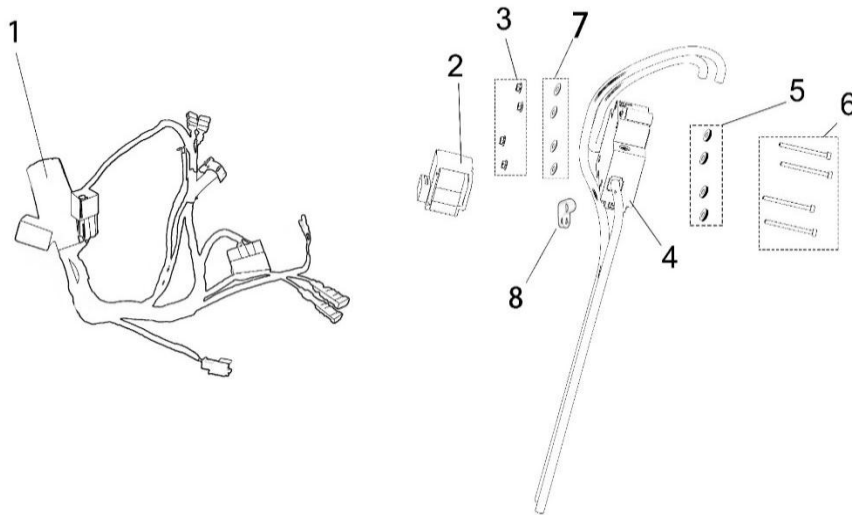
#### LIGHT BEE components and parts Illustration-15



No.	Part Code	Description	Qty	Notes
15_01	61282-YQ2A-0000	Middle bushing for Bottom Bracket	1	Steel 20CrMo-Φ10-Φ15-81mm
15_02	B3-001-06-025-F2	Mounting screw for output shaft sprocket (M6*25)	6	inner hexagon socket head cap screws-GB/T70.1-2008
15_03	13114-YQ2A-0000	Roller chain	1	420-106 sections
	13114-YQ2A-0100	Roller chain	1	420-112 sections
	13114-YQ2A-0200	Roller chain	1	420-104 sections
15_04	61234-YQ2A-0000	Right bushing for Bottom Bracket	1	45钢/40Cr MFZn-Φ10-Φ15-17mm
15_05	B7-001-15-24-7-FB	Right oil seal for Bottom Bracket (Φ15-Φ24-7)	1	TC oil seal
15_06	13105-YQ2A-0000	Output shaft sprocket	1	14/420-6holes fixing-20CrMoTi

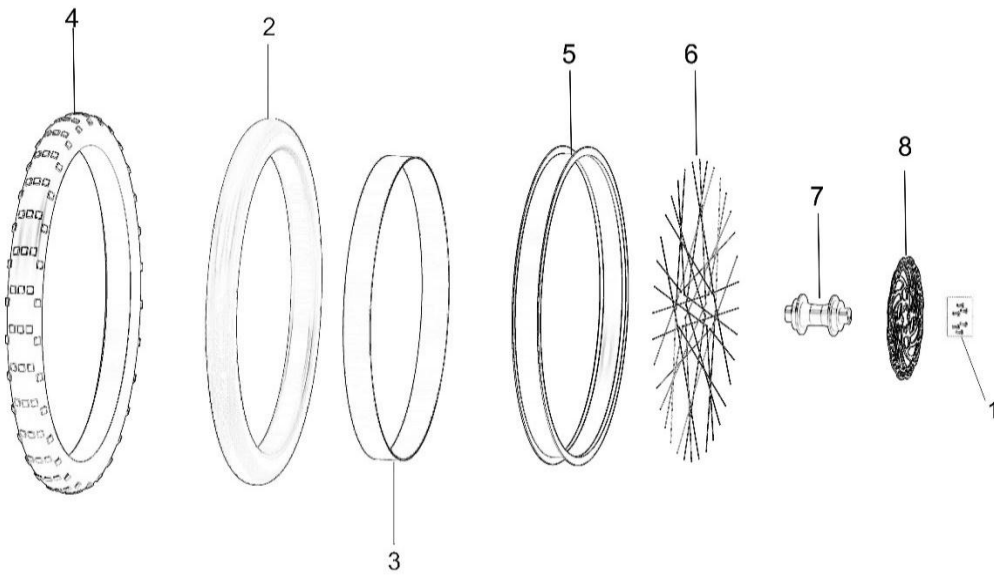
15_07	61233-YQ2A-0000	Left bushing for Bottom Bracket	1	45钢/40Cr MFZn-Φ10-Φ15-12mm
15_08	Z-6000-2Z-26-10-08	Bottom Bracket Bearing	1	Deep groove ball bearing 6000-2Z
15_09	61281-YQ2A-0000	Bottom Bracket	1	
15_10	B3-001-06-016-F0	Mounting screw for large pulley(M6*16)	6	inner hexagon socket head cap screws-GB/T70.1-2008
15_11	13202-YQ2A-0100	Rear pulley	1	HTD Timing Pulley-8M-12mm wide -51 gears-Anodized black
	13212-YQ2A-0000	Primary Driving large sprocket 1 (30 gears)	1	Paired with primary driving small sprocket with 13 gears
	13212-YQ2A-0100	Primary Driving large sprocket 2 (31 gears)	1	Paired with primary driving small sprocket with 11 gears
15_12	13111-YQ2A-0100	Belt	1	HTD 8M-12MM wide 560mm 70gears 马牌cxa
	13117-YQ2A-0100	Primary Driving Chain	1	420-42 sections
15_13	B7-001-15-26-6-FB	Left oil seal for Bottom Bracket (Φ15-Φ26-6)	1	TC oil seal

### LIGHT BEE components and parts Illustration-16



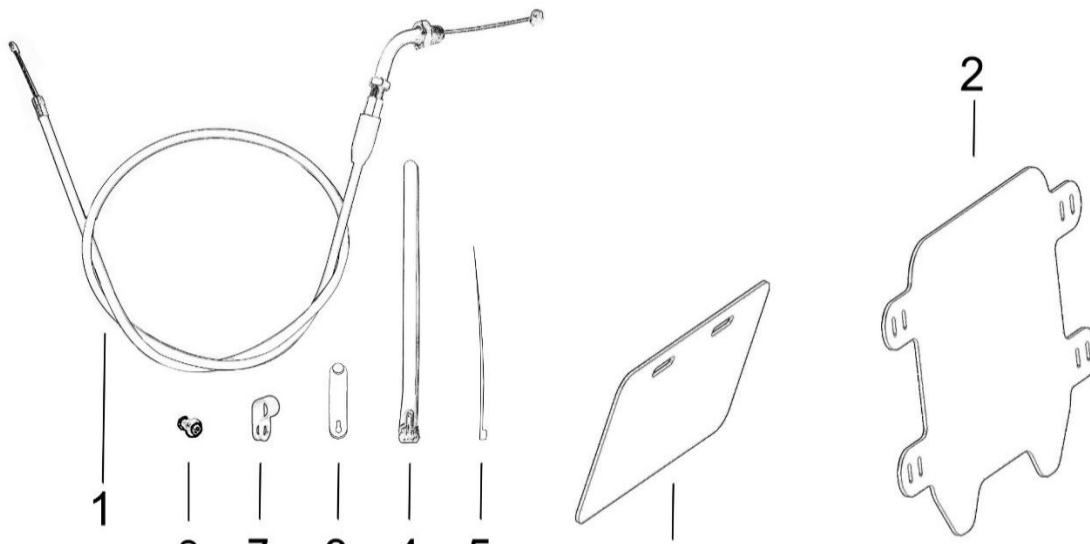
No.	Part Code	Description	Qty	Notes
16_01	24100-YQ2A-0000	Main cable	1	
16_02	21250-YQ2A-0000	Dumping sensor	1	Pendulum type-Dumping protection angle 65°-Delay protection 1s
16_03	B2-012-03-F2	Fixed nut for installation of air switch (M3)	4	Hexagon flange face anti-slip nut - GB/T6177.1-2000
16_04	23500-YQ2A-0000	Single phase circuit breaker	1	DZ47-125-1P-100A
16_05	81125-YQ2A-0000	Insulated pad (Φ7*Φ3.2*5)	4	
16_06	B3-001-03-040-F2	Mounting screw for air switch (M3*40)	4	inner hexagon socket head cap screws-GB/T70.1-2008
16_07	B4-001-04-F1	Fixed washer for installation of air switch (Φ4)	4	Flat washer-GB/T97.1-2002
16_08	81153-NM1A-0000	Nylon wire clip 3	1	White Nylon plastic - large wire clip LR 1/2 diametre 12.7mm

LIGHT BEE components and parts Illustration-17



No.	Part Code	Description	Qty	Notes
17_01	FB3-001-05-012-F0	Mounting screw for front disc brake (M5*12)	6	Inner hexagon cap screw (with disc)
17_02	51232-YQ2A-0000	Inner tube of front wheel (same as rear wheel)	1	70-100-19 inner tube
17_03	51266-YQ2A-0000	Flap of rim (same as rear wheel)	1	19寸-20mm wide *1mm thick
17_04	51231-YQ2A-0000	Shoe of front wheel (same as rear wheel)	1	70/100-19-Lightweight cross-country tire
17_05	51271-YQ2A-0000	Front rim (same as rear wheel)	1	19寸*1.4 alloy rim 36 holes-5.2mm
17_06	51290-YQ2A-0000	Spoke assembly	36	12G/220-Stainless steel spoke-nut
17_07	51210-YQ2A-0000	Front hub assembly	1	
17_08	52171-YQ2A-0000	Front disc brake	1	Φ203mm-thick 1.8mm-attachment face diameter Φ44

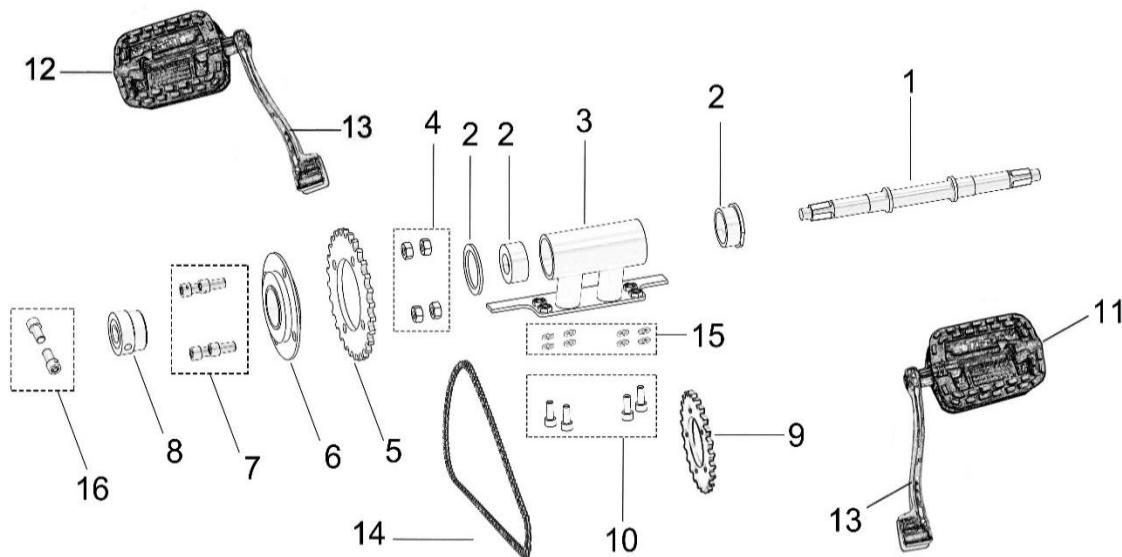
LIGHT BEE components and parts Illustration-18



8 / 3 4 5 6

No.	Part Code	Description	Qty	Notes
18_01	71110-YQ2A-0000	Speed zipper	1	Total 960mm-Exposed length110
18_02	81182-YQ2A-0000	Front License plate	1	
18_03	81135-NM1A-0000	Rubber cable tie	2	Triple ethylene propylene rubber cable tie-12mm*58mm
18_04	81145-NM1A-0000	Wire harness fixing tie	5	Black Nylon cable tie 3mm*150mm
18_05	81141-YQ2A-0000	Black slipknot nylon cable tie	4	Black slipknot nylon cable tie 8mm*200mm
18_06	81181-YQ2A-0000	Rear Billboard	1	
18_07	81138-YQ2A-0000	Nylon wire clip 2	1	Black Nylon plastic - wire clip- LR-1/4 diametre 6.35mm
18_08	FB03-004-F2	Mounting screw for main cable wire clip (PB3.5*8)	1	Cross - round head self - tapping screw

LIGHT BEE components and parts Illustration-19

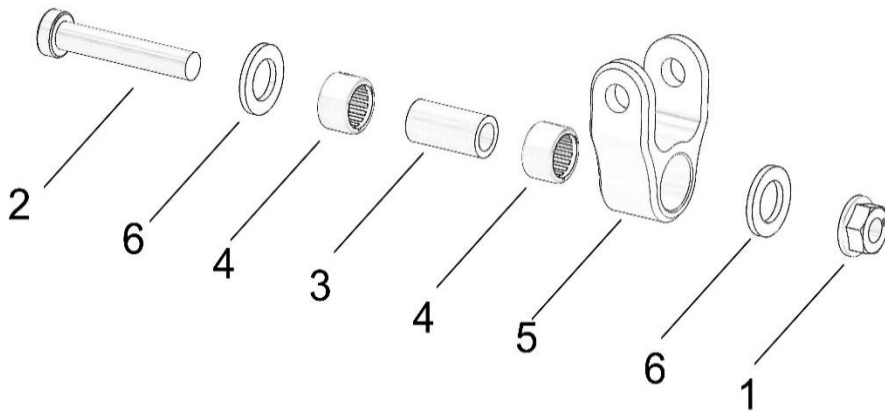


No.	Part Code	Description	Qty	Notes
19_01	13311-YQ2A-0000	Human riding bottom bracket	1	
19_02	13330-YQ2A-0000	Headset for bottom bracket	1	
19_03	13320-YQ2A-0000	Stand for human riding bottom bracket	1	
19_04	B2-001-08-F2	Mounting nut for human riding sprocket (M8)	4	hexagon nut-GB/T6170-2000
19_05	13313-YQ2A-0000	Human riding sprocket	1	28gears/420
19_06	13312-YQ2A-0000	Gearless freewheel	1	
19_07	B3-001-08-016-F2	Mounting bolt for human riding sprocket (M8*16)	4	inner hexagon socket head cap screws-GB/T70.1-2008
19_08	13341-YQ2A-0000	Unidirectional freewheel mounting base	1	
19_09	13314-YQ2A-0000	Human riding rear sprocket	1	25 gears/420
19_10	B3-001-06-016-F2	Mounting bolt for human riding (M6*16)	4	inner hexagon socket head cap screws-GB/T70.1-2008
19_11	13317-YQ2A-0000	Left pedal	1	
19_12	13318-YQ2A-0000	Right pedal	1	



19_13	13315-YQ2A-0000	Crank	2	127-140 Crank
19_14	13319-YQ2A-0000	Roller chain	1	420-96 sections
19_15	B4-001-06-F2	Mounting washer for human riding (φ6)	8	Flat washer-GB/T97.1-2002
19_16	B3-001-08-016-F2	Mounting bolt for unidirectional freewheel mounting base(M8*16)	2	inner hexagon socket head cap screws-GB/T70.1-2008

**LIGHT BEE components and parts Illustration-20**



No.	Part Code	Description	Qty	Notes
20_01	B2-006-08-F1	Mounting nut for Damping adapter (M8)	1	Hexagon flange face lock nut-GB/T6187.1-2000
20_02	B3-001-08-045-F1	Mounting bolt for Damping adapter (Half thread L45-M8*20)	1	inner hexagon socket head cap screws-GB/T70.1-2008-12.9 grade
20_03	55172-YQ2A-0000	Mounting bushing for Damping adapter	1	φ8*φ12*24
20_04	Z-HK1210-16-12-10	Mounting bearing for Damping adapter	2	Needle bearing HK1210
20_05	55171-YQ2A-0000	Damping adapter	1	
20_06	55163-YQ2A-0000	Mounting Nylon washer for rear Damping adapter (Φ12-Φ20-2)	2	

