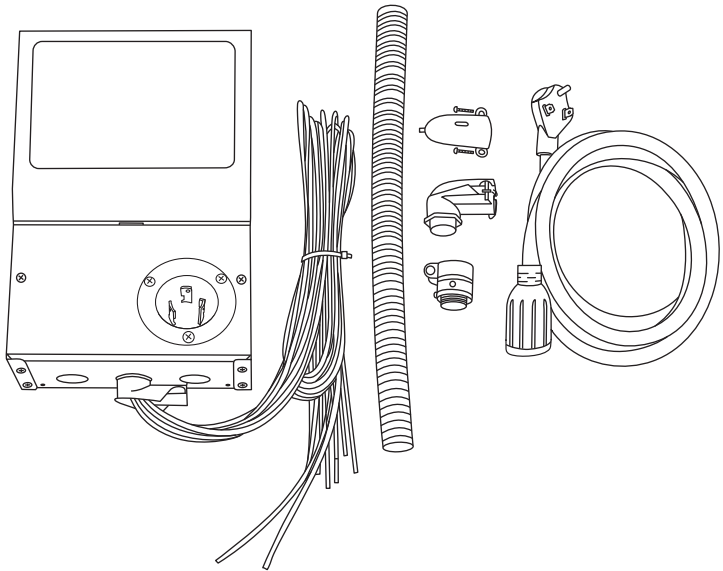


# Power Transfer Kit Elite

## User Manual



# Power Transfer Kit Elite

## Contents

Welcome .....	1
Warning .....	1
Upgrade Circuit Breakers .....	1
Unpack Your Power Transfer Kit Elite .....	2
Connect Your Power Transfer Switch to Nature's Generator Elite .....	3
Use Your Power Transfer Switch .....	4
FAQ .....	5
Limited Warranty .....	6

## ***Welcome***

Congratulations on the purchase of your new Power Transfer Kit Elite, a state-of-art power transfer kit that links your Nature's Generator Elite to your existing power circuits in your breaker panel. Please read these instructions thoroughly prior to use, then store this manual in a safe place for future reference. If at any time you are unclear about this product, or require additional assistance, please do not hesitate to contact our Customer Support line at 800-975-7909 or email us at support@naturesgenerator.com.

Power Transfer Kit Elite is made by Reliance Controls. If you have any questions regarding the installation process, you may also contact the Customer Service Team at Reliance Controls. They are available for assistance at 1-800-634-6155.

## ***Warning***

**THE POWER TRANSFER KIT ELITE MUST BE INSTALLED BY A QUALIFIED ELECTRICIAN IN COMPLIANCE WITH ALL APPLICABLE ELECTRICAL CODES!**

The installation procedure can be found on the other manual in the envelop in the box.

## ***Upgrade Circuit Breakers***

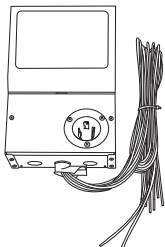
This product is supplied with 15 amp circuit breakers as default. All circuit breaker positions are able to accommodate 15- and 20-amp circuit breakers. To remove a circuit breaker, remove the circuit breaker compartment cover, unscrew the terminal screw in the breaker to be removed, removed the wire, tilt the top of the circuit breaker towards you and lift up and out. Reverse the procedure to install another breaker.

In addition, positions A and B (only these positions) will accommodate 30-amp circuit breakers. This product is UL approved for use with the field-installed breakers. Use 30 amps maximum in positions A and B, 20 amps maximum in all other positions. Rating of a transfer switch circuit breaker should not exceed the rating of the corresponding branch circuit breaker in the load center.

Do not install any breaker larger than 20 amps., except in positions A and B which may be 30 amps.

## ***Unpack your Power Transfer kit Elite***

### **1. Power Transfer Switch**



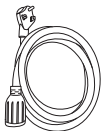
### **2. Conduit**



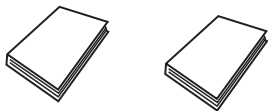
### **3. Cable Clamps**



### **4. Power Cord:**



### **5. The Installation Manual from Reliance Controls and this User Manual**

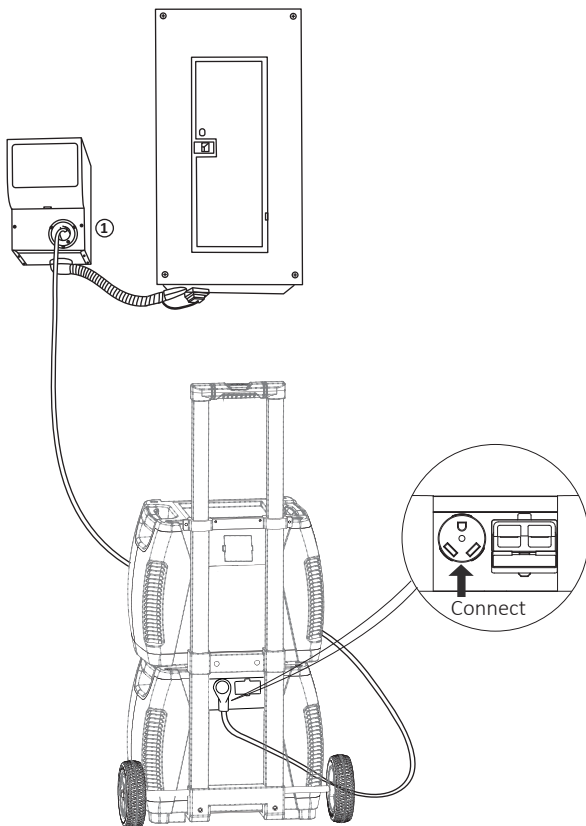


## Connect Your Power Transfer Switch to Nature's Generator Elite

Once the Power Transfer Switch has been successfully installed by a qualified electrician, you can now connect your Power Transfer Switch to your Nature's Generator Elite by using the included power cord.

You can connect up to six circuits from your breakers into your Power Transfer Kit Elite. You may select the most common used circuits like refrigerators, lights in hallway or bathroom, bedroom outlets and etc. The run time are affected by the combined loading on the connected circuits and the amount of the Nature's Generator Power Pod Elite that are connected to Nature's Generator Elite.

1. Fit the female connector of the included power cord into the power inlet of your Power Transfer Switch. Turn the connector clockwise to secure the connection.
2. Insert the male connector of the included power cord into the AC outlet on the back of Nature's Generator Elite.

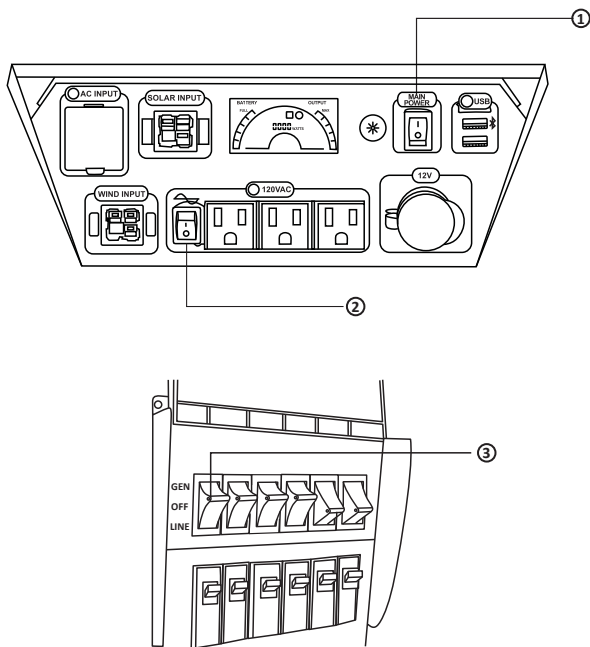


## Use Your Power Transfer Switch

Once you've connected the Power Transfer Switch to the Nature's Generator Elite you are now ready to continue powering your most needed items at home during loss of power from grid.

When you experience power loss simply follow these steps to continue powering your items:

1. Turn the Nature's Generator Elite Main Power Switch to ON (The LCD screen will turn on).
2. Turn the Nature's Generator Elite AC Switch to ON (The light above the AC outlets will turn green).
3. Select the toggle switches of the circuits that you want your Nature's Generator Elite to power and move their position from LINE to GEN.
4. Make sure the breakers in Power Transfer Kit Elite are in ON position. You are now ready to go!



When your power is restored:

1. Move the position of the toggle switches from GEN to LINE.
2. Turn the Nature's Generator Elite AC Switch to OFF (The green light above the AC outlets will turn off)
3. Turn the Nature's Generator Elite Main Power Switch to OFF (The LCD screen will turn off)

## **FAQ**

*Where shall I install the Power Transfer Kit Elite?*

The size of Power Transfer Switch is 13 1/4 x 8 x 4 3/4 inches. The conduit is approximately 18 inch long with the clamps. It is recommended to install it in a close area to your breaker panel.

*Can I use Power Transfer Kit Elite and Nature's Generator Elite to back up 220V?*

Unfortunately, it only works on 110V. It is not compatible with 220V.

*What happens when the utility power is restored?*

When your utility power is restored, other lights and appliances on the circuits that are not connected to Power Transfer Switch will turn on. To transfer the circuits on the generator to utility power, flip the toggle switches back to the LINE position and shut down your Nature's Generator Elite.

*Will the surge damage my Nature's Generator Elite when the utility power is restored?*

No. The circuits that are connected to Power Transfer Switch are isolated from the utility power. There is no danger of back feeding the utility power.

*What will I be able to power?*

Runtimes with the Power Transfer Kit Elite are dependent on the combined loading of connected circuits and the amount of the Nature's Generator Power Pod Elite that are connected to Nature's Generator Elite. For instance, a 60watt light bulb will run about 20 hours with only the Nature's Generator Elite. That same 70W light will run about 27 hours with the Nature's Generator Elite and one Nature's Generator Power Pod Elite. And that same 70W light will run about 44 hours with the Nature's Generator Elite and two Nature's Generator Power Pod Elite.

*Can I use it off the grid like in cabin or RV?*

Yes. If it is always powered by your Nature's Generator Elite, please keep the toggle switch on your Power Transfer Switch to GEN position.

*Can Power Transfer Kit Elite recharge my Nature's Generator Elite?*

No. Power Transfer Kit Elite cannot recharge your Nature's Generator Elite. Your Nature's Generator Elite has to be recharged through standard AC outlet or Nature's Generator Power Panel or Nature's Generator Wind Turbine.

*Can Power Transfer Kit Elite work with other Generators?*

Yes. It works with other battery powered generators or gasoline powered generators.

## ***Limited Warranty***

***Please refer to the other manual about warranty information.***



