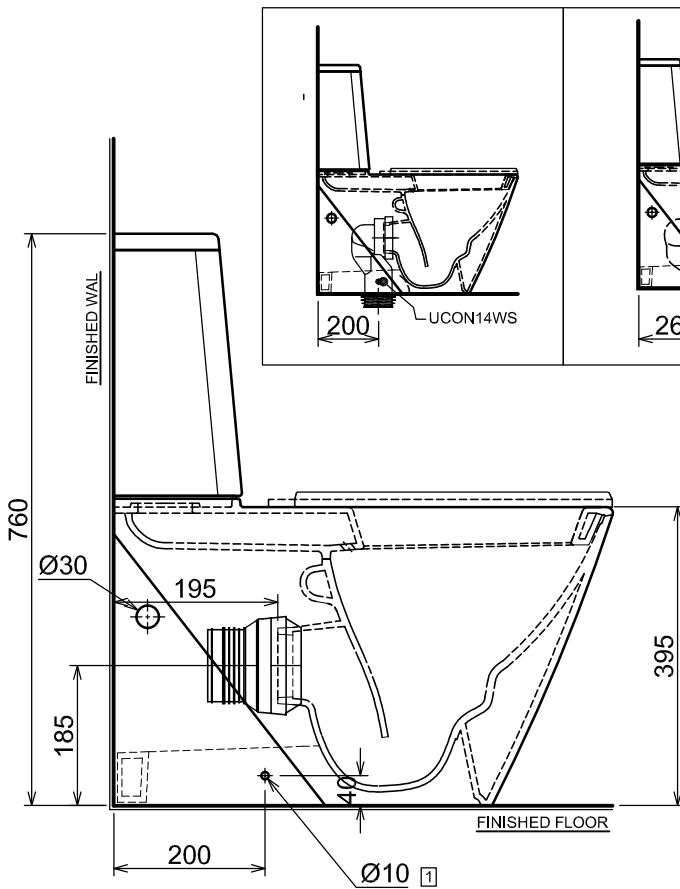
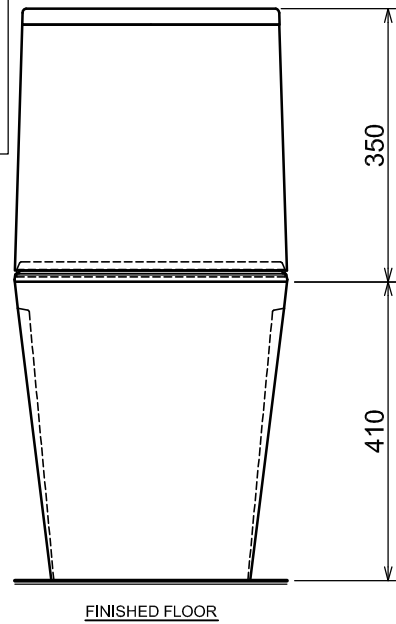
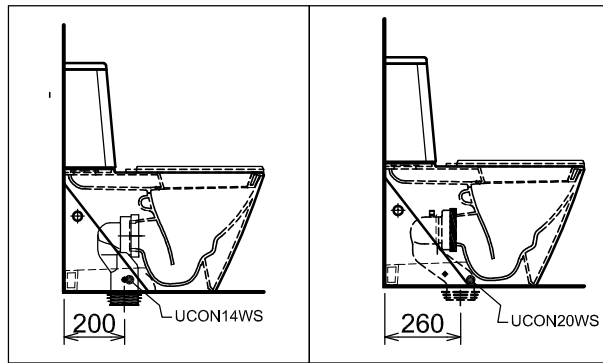


PLAN / TOP ELEVATION



SIDE ELEVATION



BACK ELEVATION

WC 4533 P c/w LC 3033 D