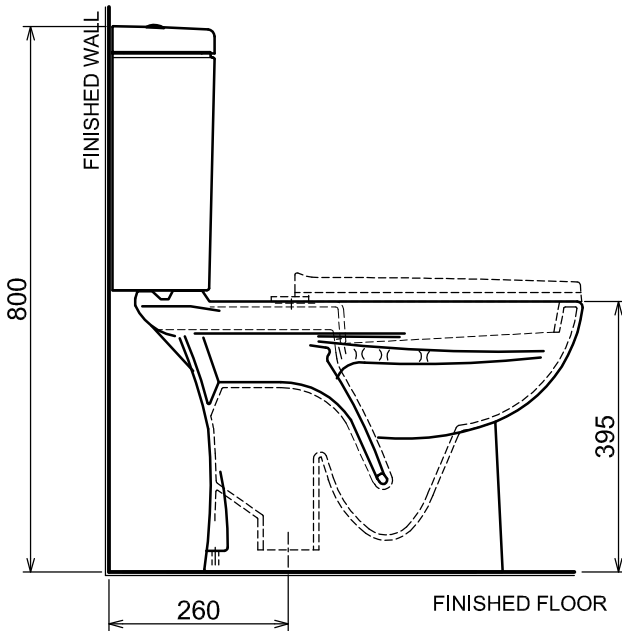
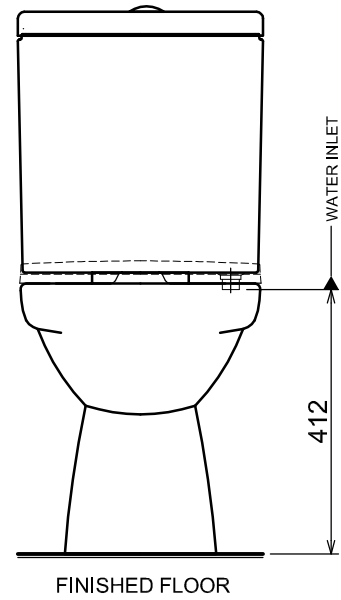


PLAN/TOP ELEVATION



SIDE ELEVATION



FRONT ELEVATION

WC 4501 S(N) c/w LC 3005 ND