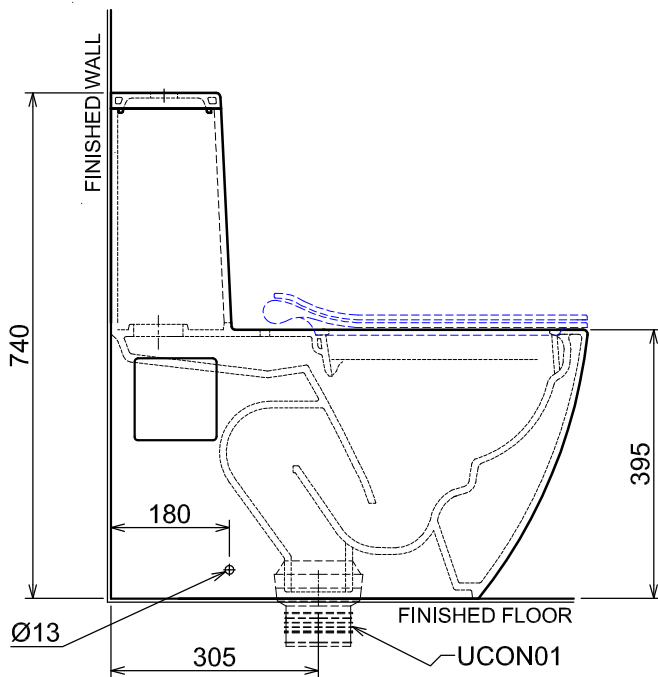
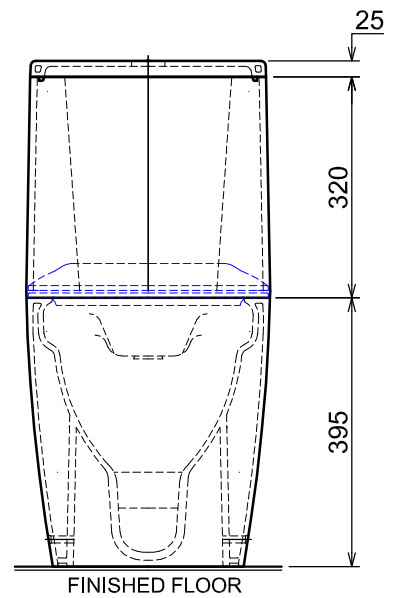


PLAN / TOP ELEVATION



SIDE ELEVATION



FRONT ELEVATION

NO	ACCESSORIES	CODE
1	Internal Fitting BIBO (5/3 L)	SNWC1877DFBB5_3LRT
2	Internal Fitting BICO (4/3 L)	SWC1877DFBC4_3LGBT
3	Seat Cover SU020S	USCN276SWT
4	Outlet Connector (BO = 305 mm)	UCON01
5	D82 Floor Fixing Set	UYU1065K
6	FP45T Flexi-Pipe 450mm (L) with Ends 1/2" Nut	UOFP45T

UOFP45T OTHERWISE ALL DIMENSION IN mm.
TOLERANCE : ≥ 75 mm : ± 2 %
 < 75 mm : ± 5 %



DRAFTING STANDARD
BS 308

DRAWN HASLAM

CHECKED JOHAN

APPROVED

LEGEND ENGLAND
INFORMATION CONTAINED IN CISB TECHNICAL DOCUMENT IS CONFIDENTIAL & REMAIN THE PROPERTY OF CLAY INDUSTRIES SDN BHD - VITREOUS CHINA DIVISION.

DRAWING TITLE : **WC 1877 B**
CERES RIMLESS ONE PIECE

DRAWING No. : TPD - WC / 18 - xx REV No. : 0 SIZE : A4

REV	DESCRIPTION	DATE	ESTABLISH DATE
1			19 - Oct - 17

SCALE : 1 : 10 SHEET : 1 Of 1