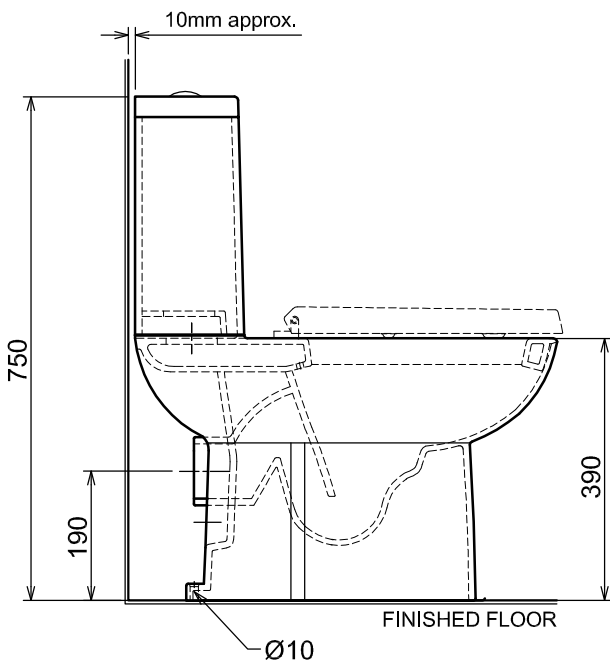
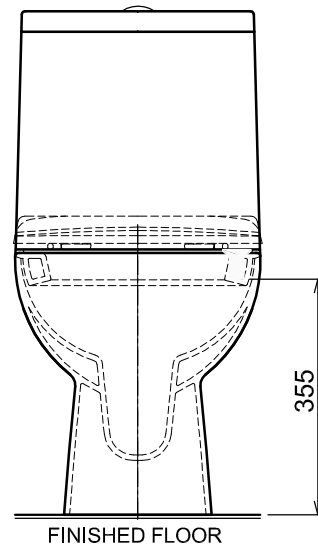


PLAN / TOP ELEVATION



SIDE ELEVATION



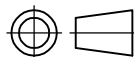
BACK ELEVATION

NO	ACCESSORIES	CODE
1	Seat & Cover	USC245MSHD_WSWT
2	Internal Fitting	SNWC1855DFBC5_3LWS
3	Outlet Connector	UCON 01
4	Floor Fixing Screw	UYU 1300
5	Flexible Hose 16"	UWSFP40T
6	Angle Valve	UWSAV11

SWC1855DFBIBO4.5 - 3LRT

UNLESS NOTED OTHERWISE ALL DIMENSION IN mm.

TOLERANCE : ≥ 75 mm : ± 2 %
 < 75 mm : ± 5 %



DRAFTING STANDARD
BS 308

DRAWN HASLAM

CHECKED JOHAN

APPROVED

1 Drawing Updated 17 - Feb - 2021

REV DESCRIPTION DATE

ESTABLISH DATE 25 - Dec - 13

Clay Industries Sdn Bhd

INFORMATION CONTAINED IN CISB TECHNICAL DOCUMENT IS CONFIDENTIAL & REMAIN THE PROPERTY OF CLAY INDUSTRIES SDN BHD - VITREOUS CHINA DIVISION.

DRAWING TITLE :
WC 1855 P

DRAWING No. :	REV No. :	SIZE :
TPD - WC / 13 - 20	1	A4

SCALE : 1 : 10 SHEET : 1 Of 1