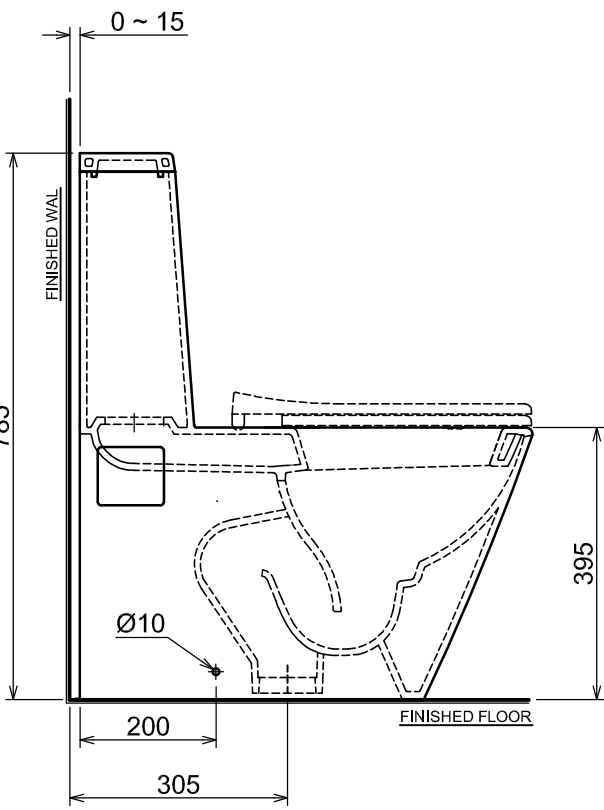
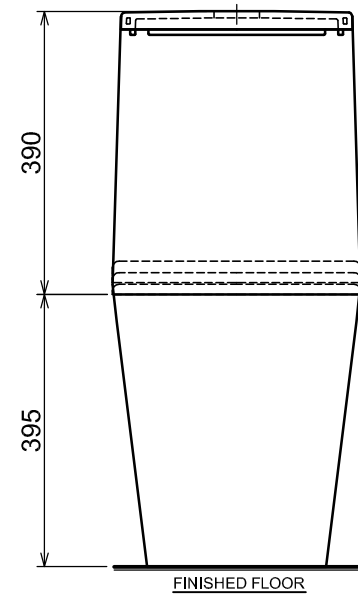


PLAN / TOP ELEVATION



SIDE ELEVATION



BACK ELEVATION

NO	ACCESSORIES	CODE
1	Seat & Cover	USC267SWT
2	Internal Fitting	SNWC1833DFBC5_3LWS
3	Straight Connector	UCON 01
4	Floor Fixing Bolt.	UYU1065K
5	18 " Flexible Hose	UYU 1293

UNLESS NOTED OTHERWISE ALL DIMENSION IN mm.
TOLERANCE : ≥ 75 mm : ± 2 %
 < 75 mm : ± 5 %



DRAFTING STANDARD
BS 308

DRAWN

HASLAM

CHECKED

BF KWONG

APPROVED

04 - Feb - 17

Clay Industries Sdn Bhd™

INFORMATION CONTAINED IN CISB TECHNICAL DOCUMENT IS CONFIDENTIAL & REMAIN THE PROPERTY OF CLAY INDUSTRIES SDN BHD - VITREOUS CHINA DIVISION.

DRAWING TITLE :

WC 1833 B - One Piece Pan

DRAWING No. :

TPD - WC / 17 - 02

REV No.:

2

SIZE :

A4

REV DESCRIPTION

DATE

ESTABLISH DATE

04 - Feb - 17

SCALE : NTS

SHEET : 1 Of 1