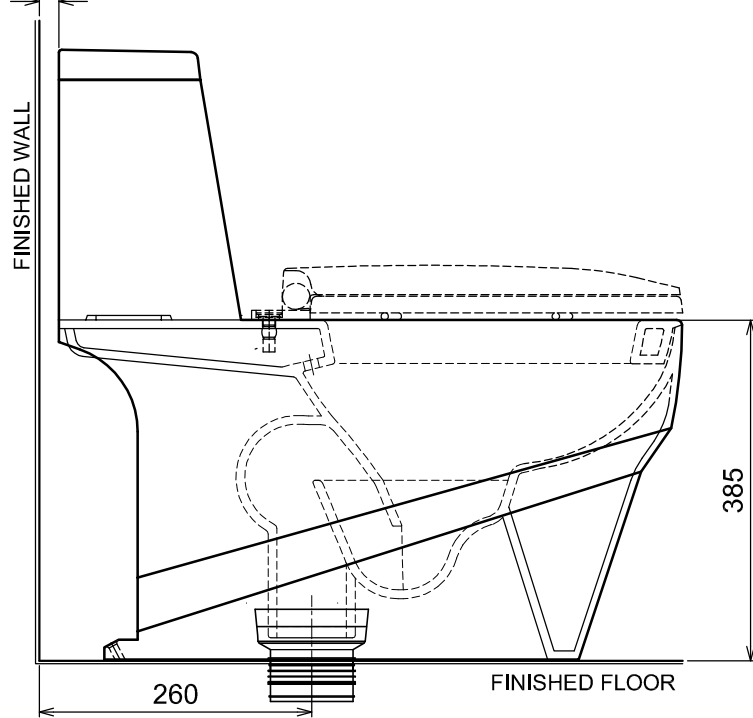
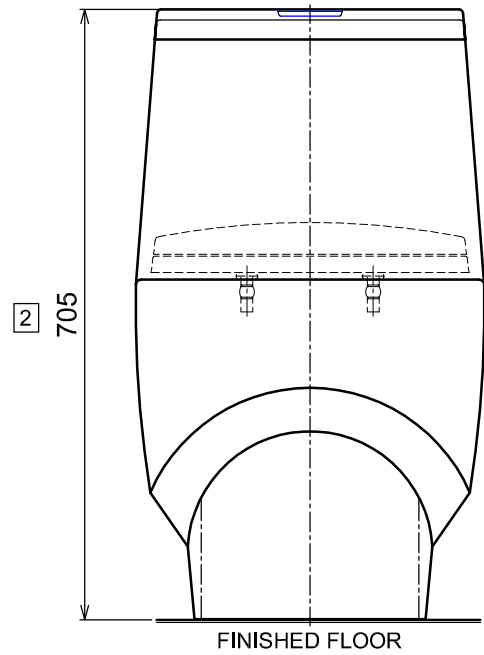


PLAN / TOP ELEVATION

15 approx.



SIDE ELEVATION



FRONT ELEVATION

WC 1811 S