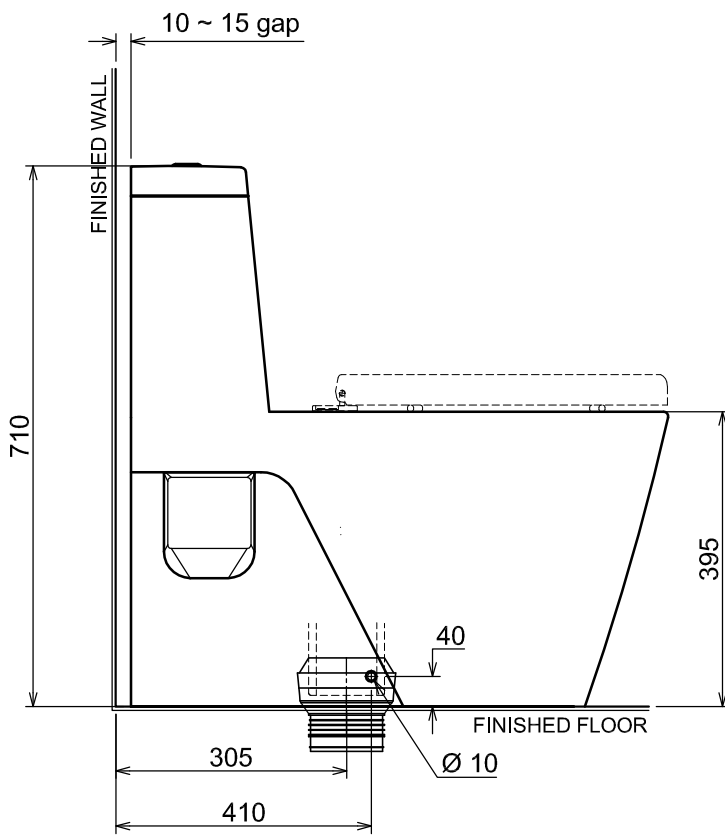
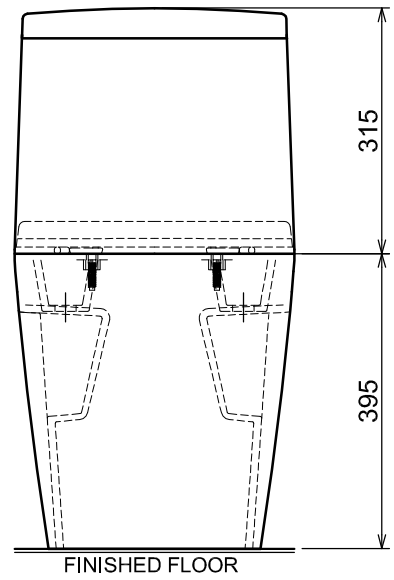


PLAN / TOP ELEVATION



SIDE ELEVATION



FRONT ELEVATION

WC 1699 B