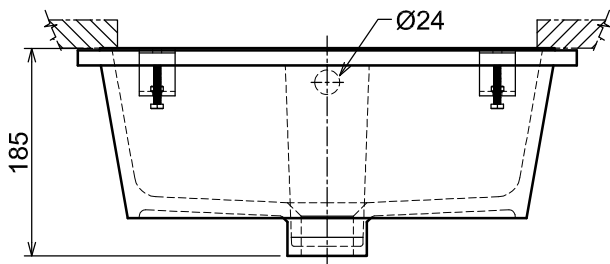
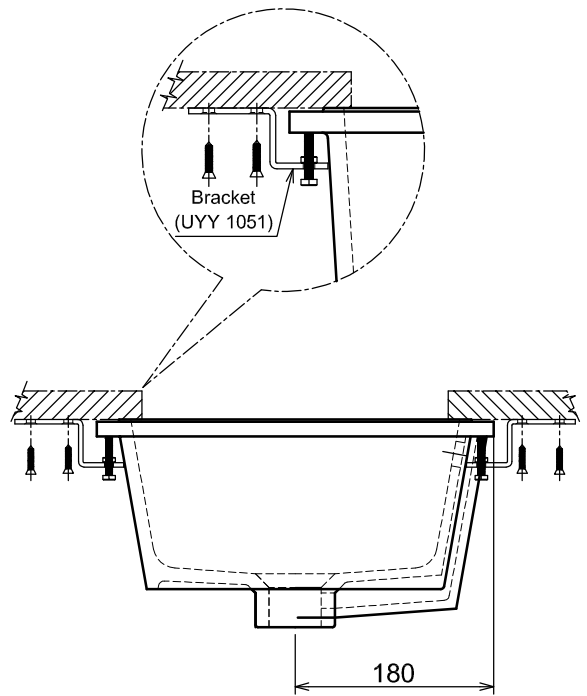


PLAN / TOP ELEVATION



FRONT ELEVATION



SIDE ELEVATION

WB 1606 UC