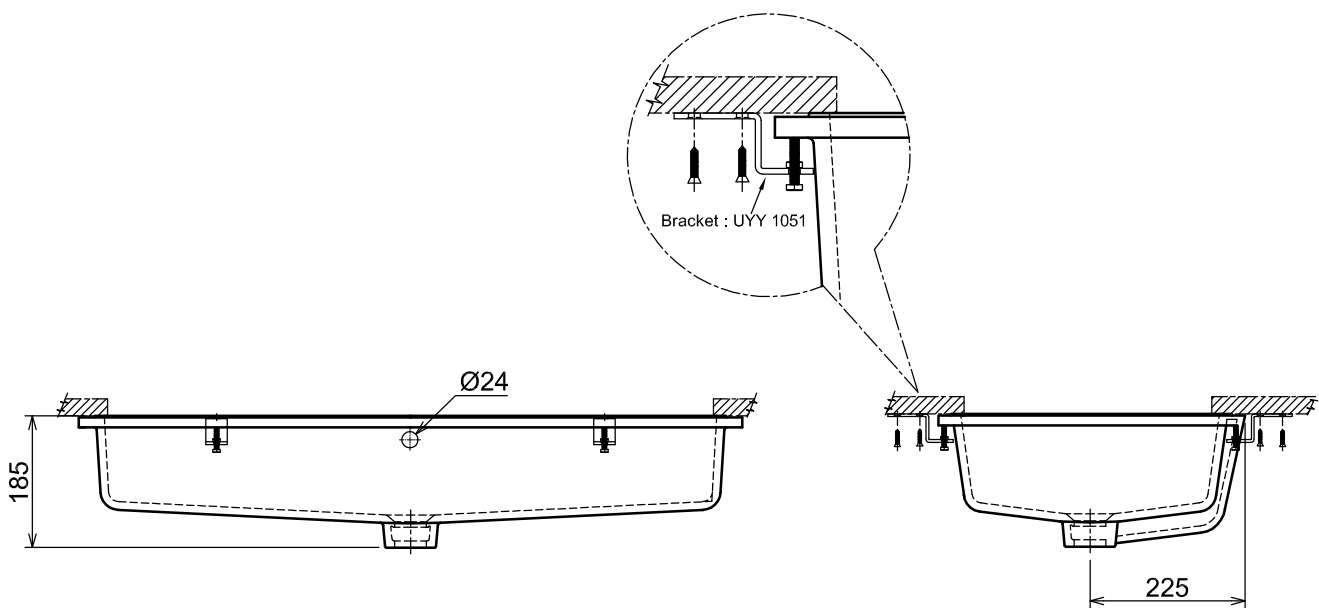


PLAN / TOP ELEVATION



FRONT ELEVATION

SIDE ELEVATION

WBFC 1601