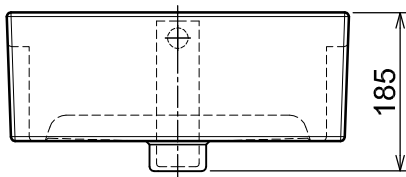
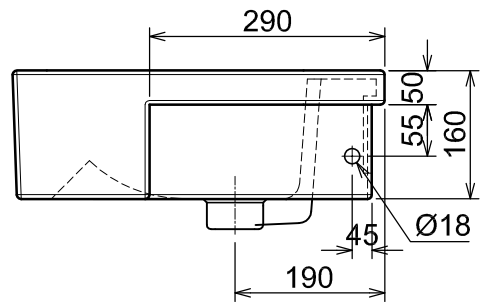


PLAN / TOP ELEVATION



FRONT ELEVATION



SIDE ELEVATION

WBFC 1518 SR