

bouncepad®

EDDY

Assembly Instructions

No Tools Required for Basic Setup

Tools Required to Fix From Above:

- Drill
- 4mm Drill Bit
- Pencil
- PZ2 Screwdriver

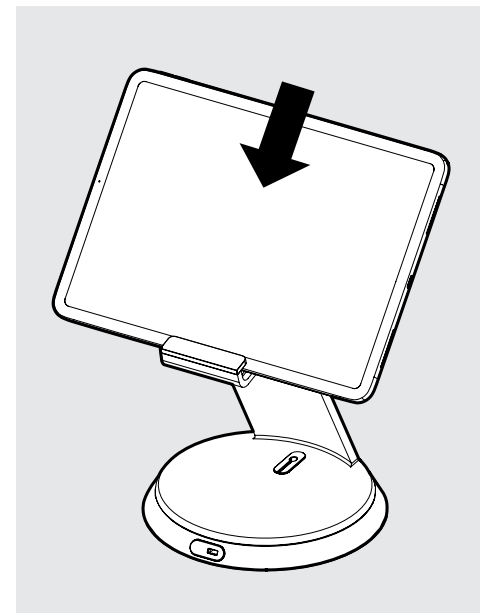
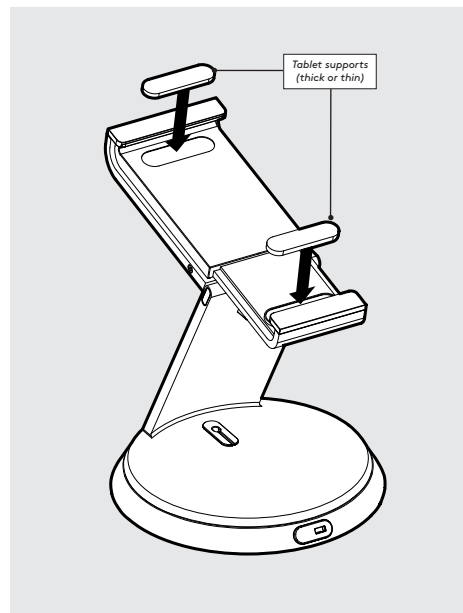
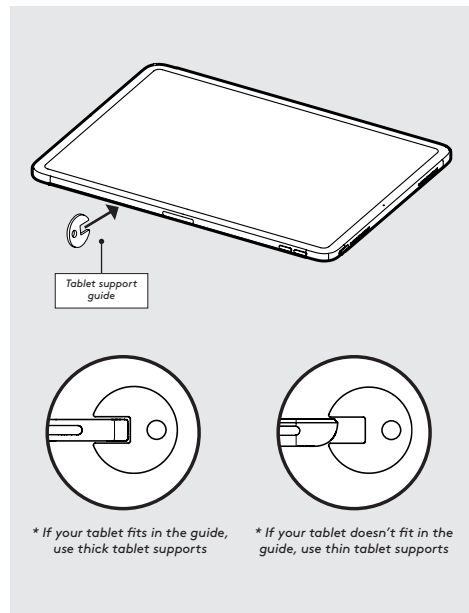
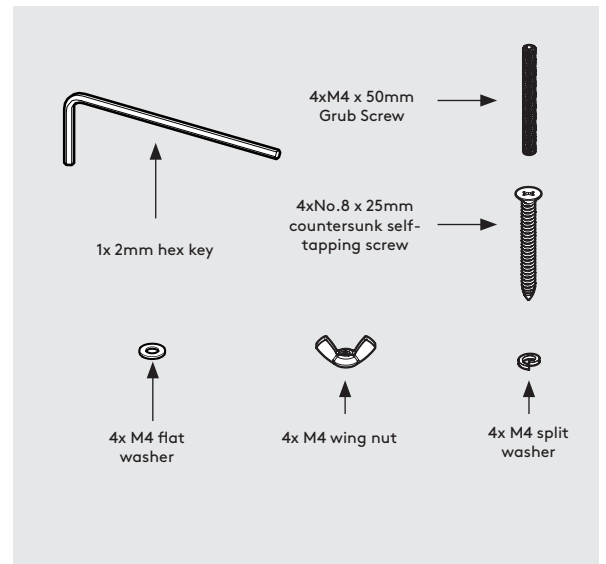
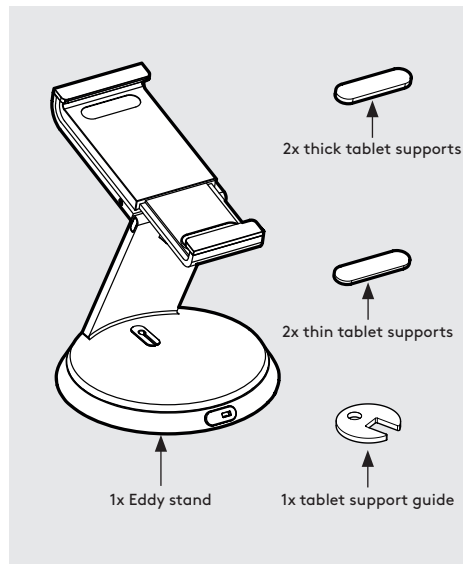
Tools Required to Fix From Below:

- Drill
- 5mm Drill Bit
- Pencil

Sheet Code: BP-IM-060_REV1

Release Date: 22/06/2020

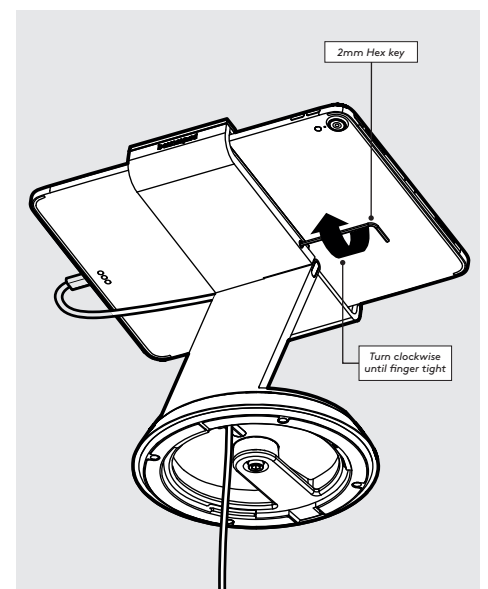
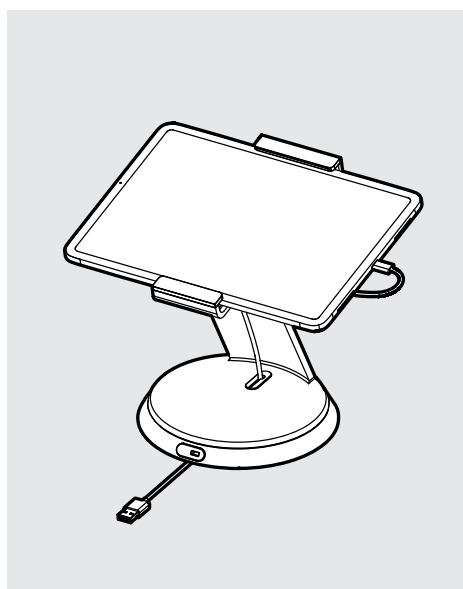
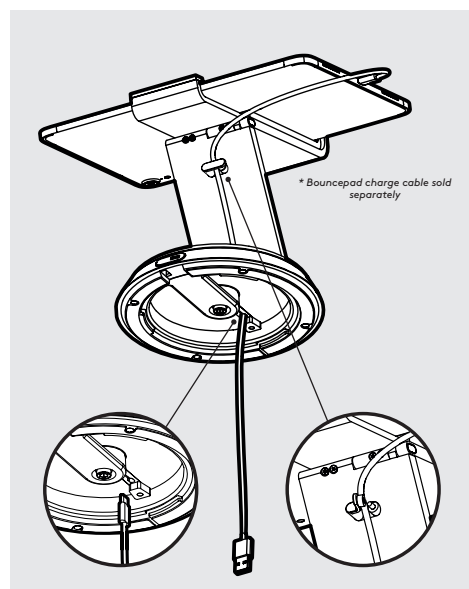
Copyright 2020 Spotspot Ltd. (T/A Bouncepad) all rights reserved. Confidential, no part of this publication may be reproduced or transmitted in any form without the written permission of the copyright holder.



1 Use the tablet support guide to select the correct tablet supports.

2 Remove adhesive backing and apply tablet supports to Eddy.

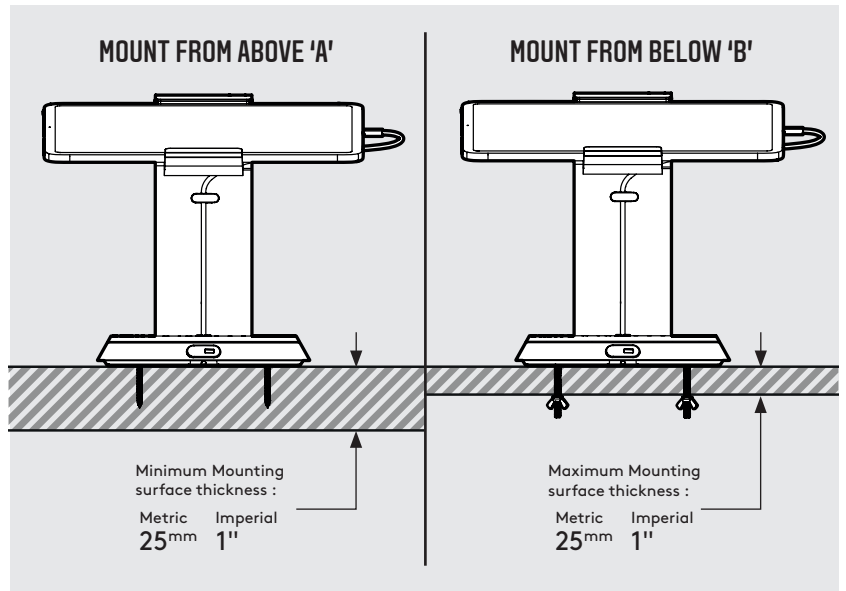
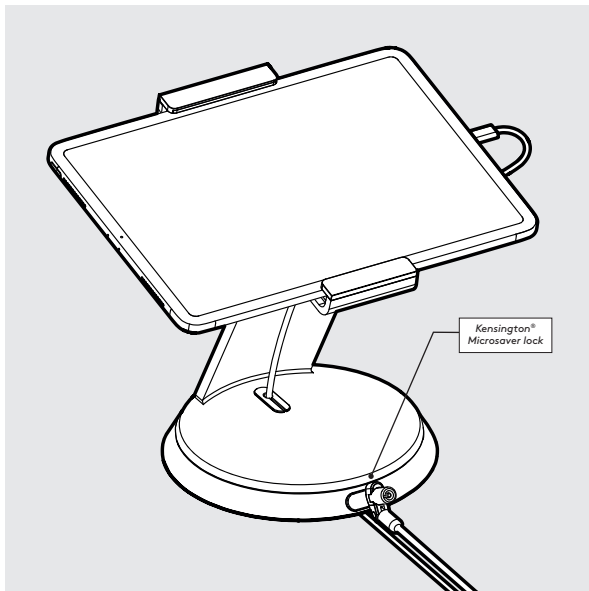
3 Fit your tablet.



4 Feed your charge cable through the base and plug it into your tablet. Use the rubber hooks to keep it tidy.

5 Basic setup is now complete. Continue with Steps 6 and onwards to add security features.

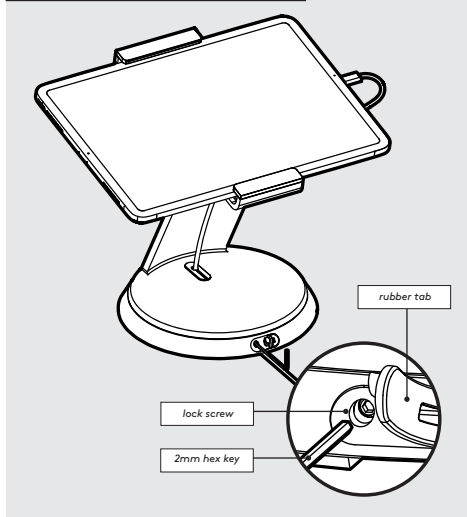
6 Use the 2mm hex key to secure your tablet to Eddy.



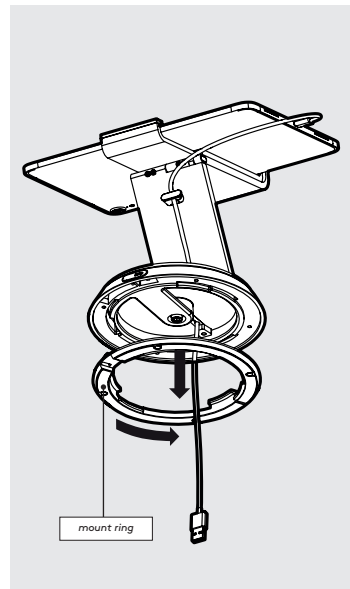
7 Use a Kensington® Microsaver product to tether Eddy to a secure object. (refer to your Kensington® instructions for full details)

8 To fix Eddy to a surface, first choose your fixing method. If your surface is over 25mm/1" thick continue with Steps A (Fix from Above). If your surface is under 25mm/1" thick proceed with Steps B (Fix from Below).

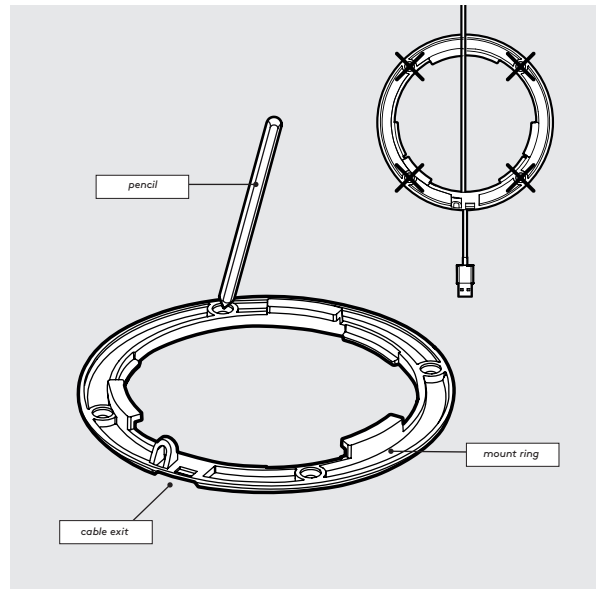
MOUNT FROM ABOVE



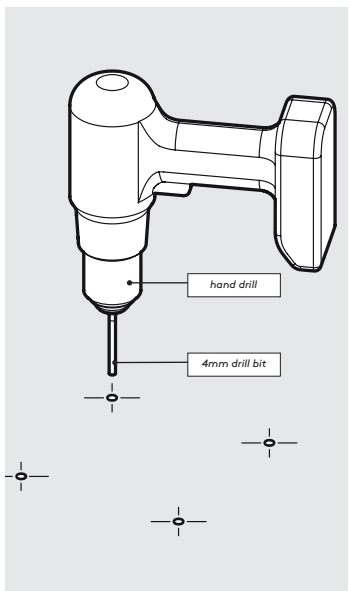
A1 Bend back the rubber tab and use 2mm hex key to remove locking screw.



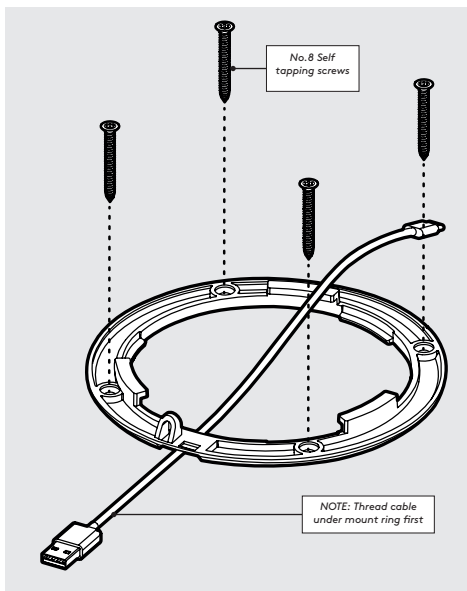
A2 Twist mount ring anti-clockwise and pull to remove



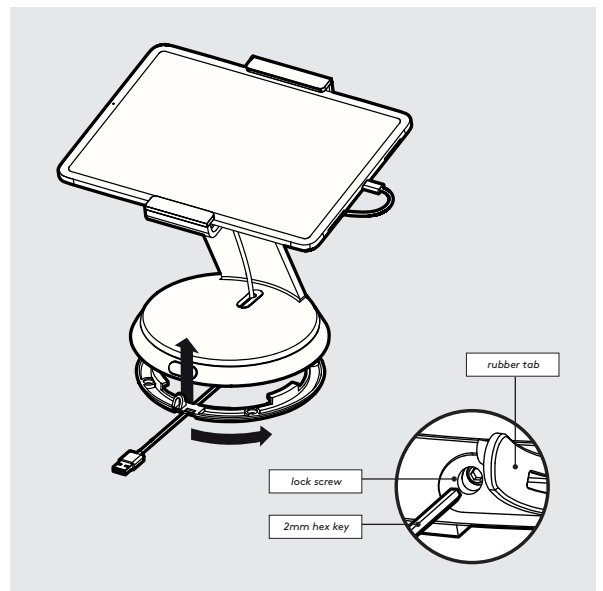
A3 Use the holes in the mount ring to mark pilot hole positions on your surface. Ensure the cable exit is in the right direction for your installation



A4 Use a hand drill with 4mm bit to make pilot holes in your surface.

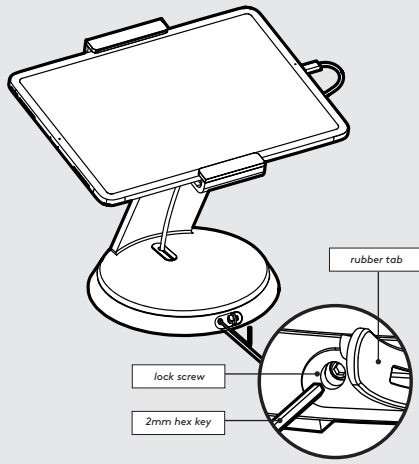


A5 Use a P22 Screwdriver to attach Mount Ring to surface using No.8 x 25mm countersunk screws

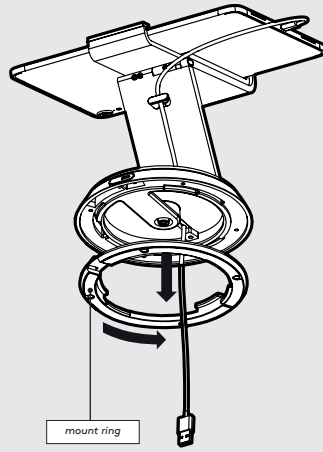


A6 Place Eddy down onto the mount ring and twist clockwise. Re-attach lock screw with 2mm Hex key. Eddy is now securely attached to your surface

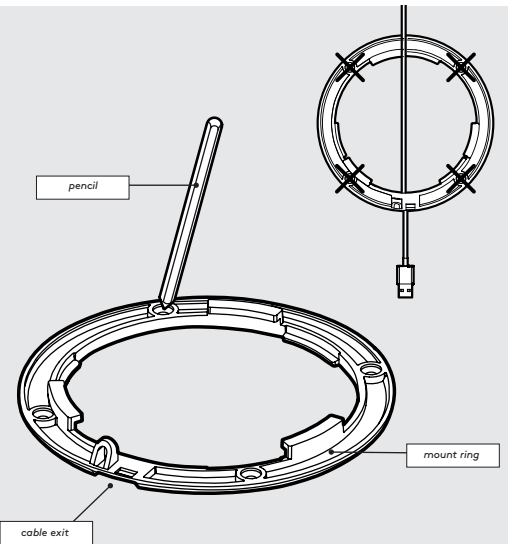
MOUNT FROM BELOW



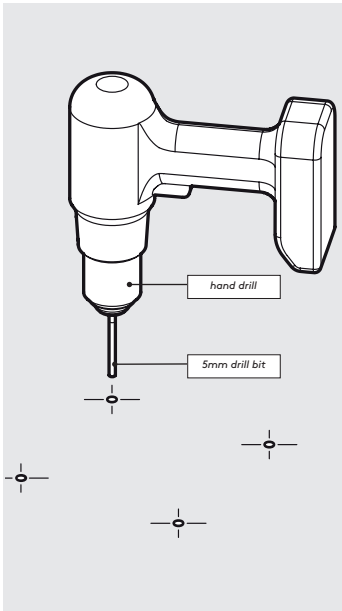
B1 Bend back the rubber tab and use 2mm hex key to remove locking screw.



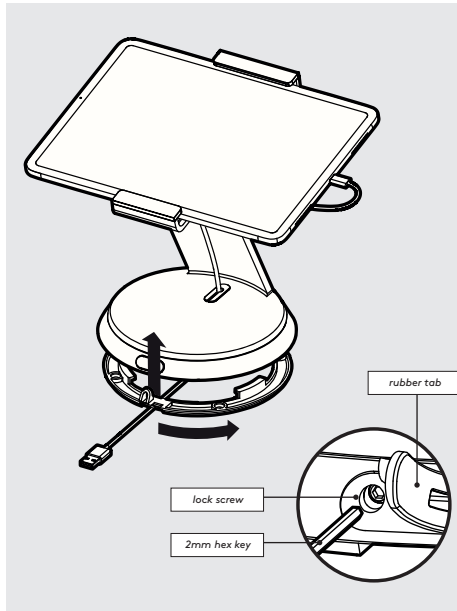
B2 Twist mount ring anti-clockwise and pull to remove



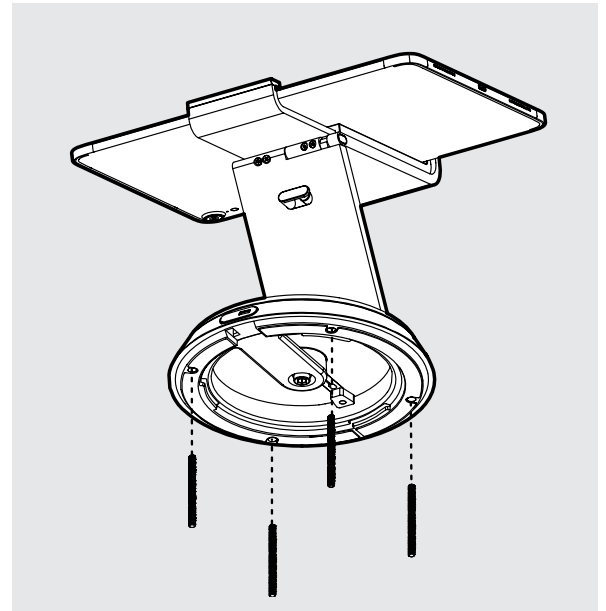
B3 Use the holes in the mount ring to mark pilot hole positions on your surface. Ensure the cable exit is in the right direction for your installation



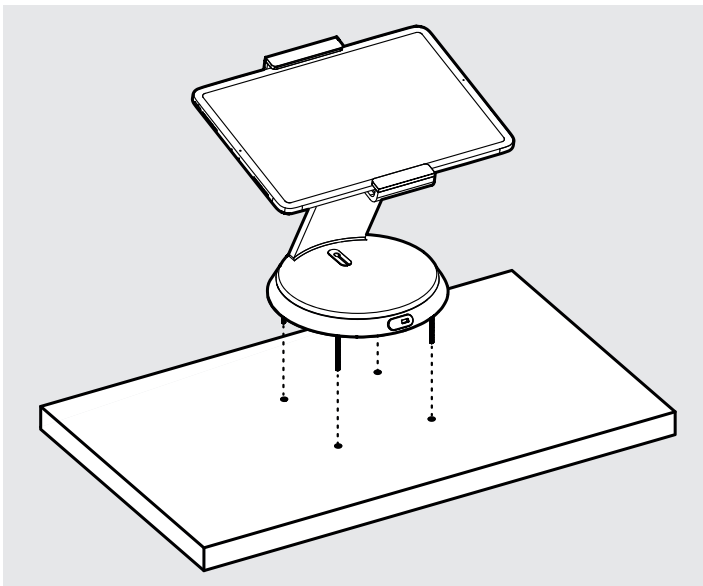
B4 Use a hand drill with 5mm bit to make holes through your surface.



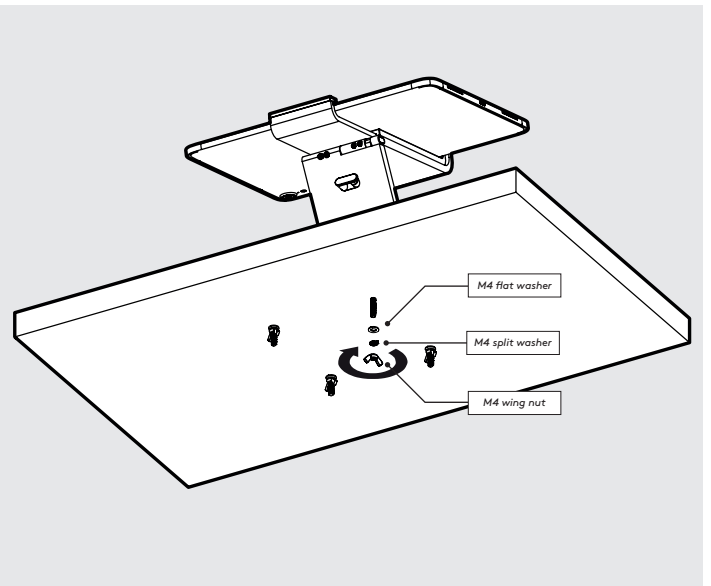
B5 Place the mount ring back onto Eddy and turn clockwise. Re-attach lock screw with 2mm hex key.



B6 Screw M4 x 50mm grubscrews into Eddy until finger tight.



B7 Place Eddy onto your surface with grubscrews passing through the pre-drilled holes



B8 Attach illustrated washers and tighten wingnuts by hand. Eddy is now securely attached to your surface.