

Swivel 60

Assembly Instructions

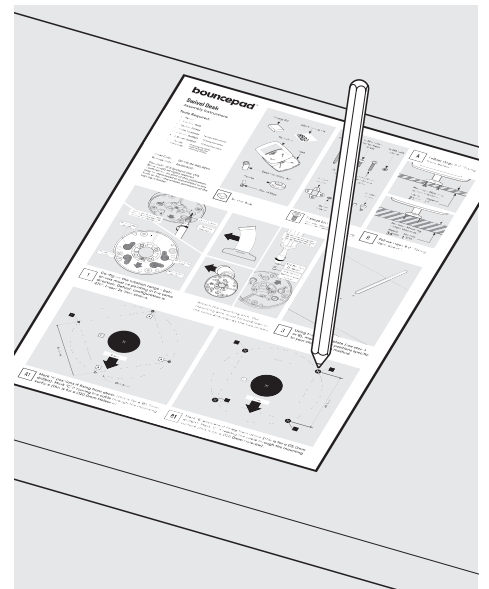
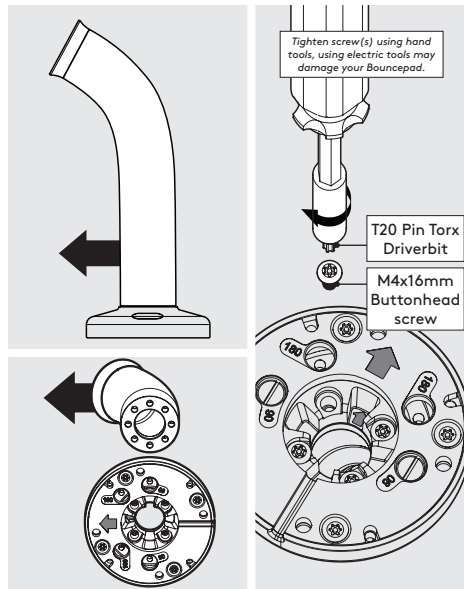
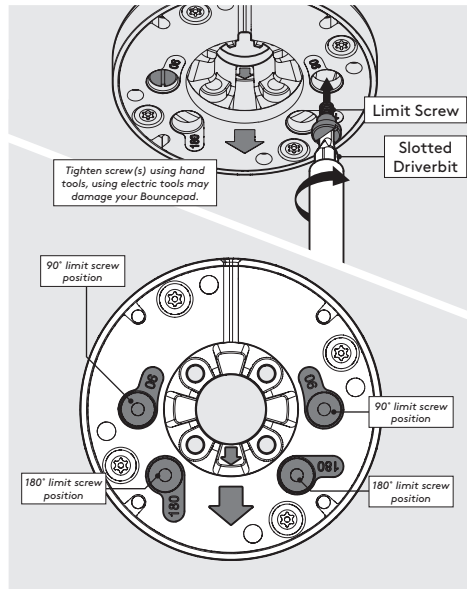
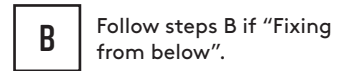
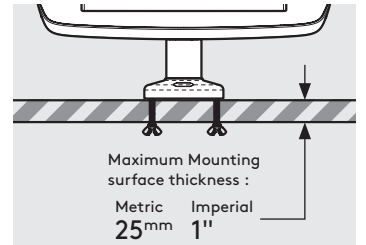
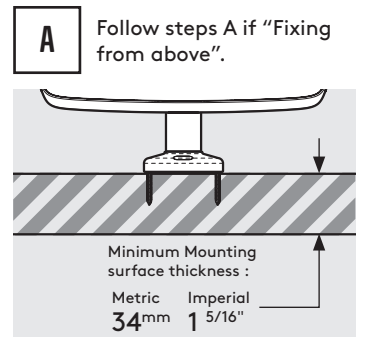
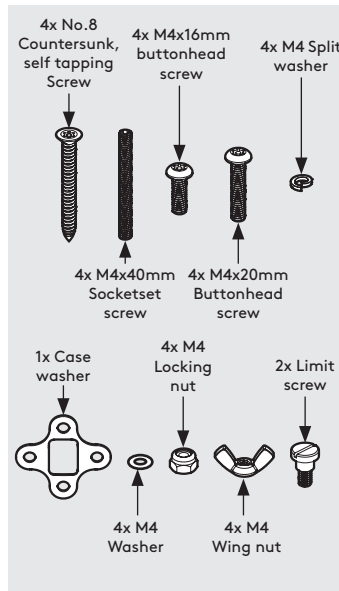
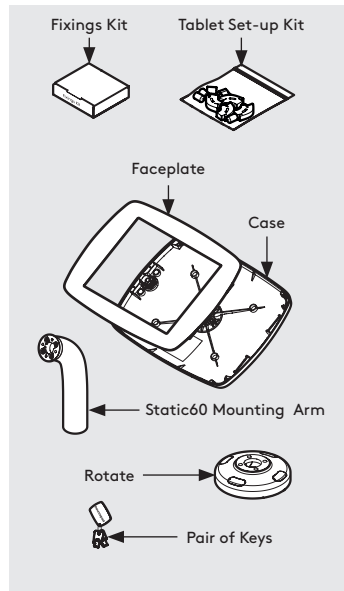
Tools Required:

- Pencil
- Electric Drill
- Socket Driver
- 7mm Spanner *or adjustable spanner
- 5.0mm Drillbit *if fixing from below
- 2.5mm Drillbit *if fixing from above
- 16mm Holesaw *if routing the tablet cable through your mounting surface

Sheet Code: BP-OR-IM-041_REV1

Release Date: 30/09/2019

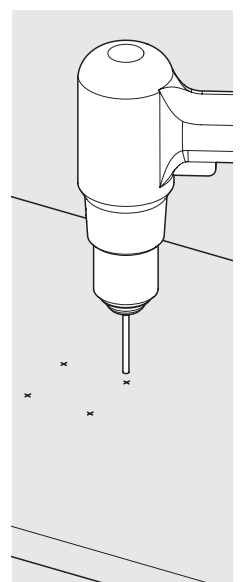
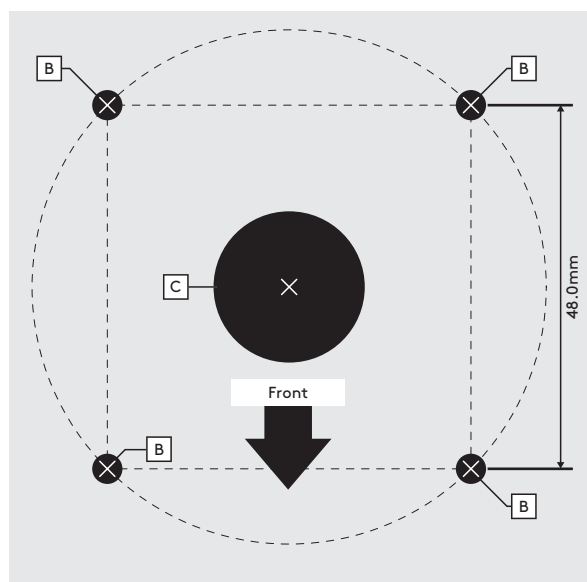
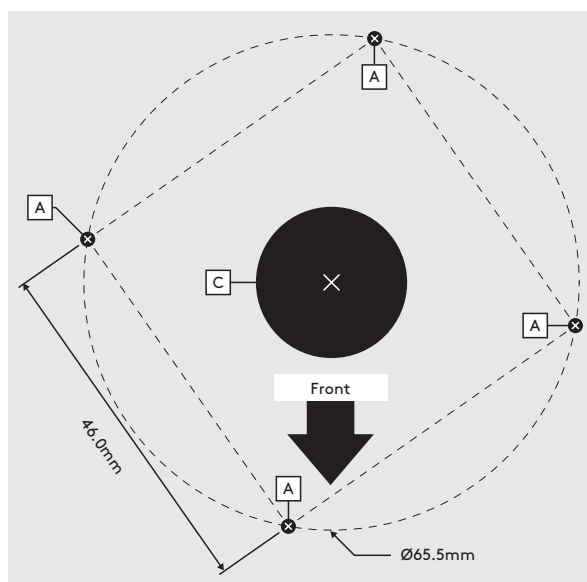
Copyright 2016 Spotspot Ltd. (T/A Bouncepad) all rights reserved. Confidential, no part of this publication may be reproduced or transmitted in any form without the written permission of the copyright holder.



1 Configure the rotation range - both arrows must be pointing in the same direction. Default configuration is 270°. Insert 2x limit screws.

2 Attach the mounting arm. The mounting arm must forward lean in the same direction as the two arrows.

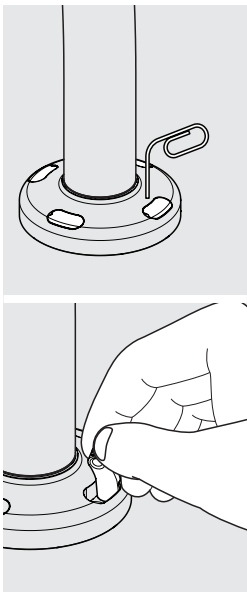
3 Using the hole template (see step A or B), mark the hole positions specific to your chosen fixing method.



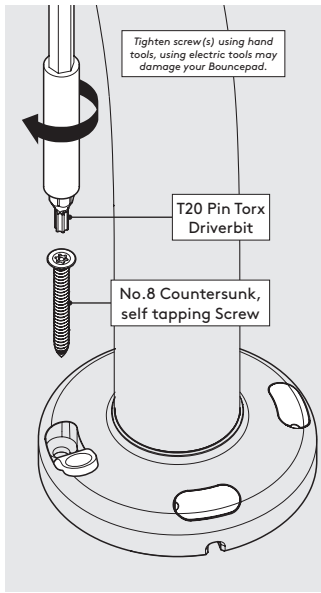
A1 Mark 'A' positions for "Fixing from above" (Ø2.5mm drillbit). Mark 'C' for the cable hole. (Ø20.0mm Holesaw).

B1 Mark 'B' positions for "Fixing from below" (Ø5.0mm drillbit). Mark 'C' for routing the cable hole. (Ø20.0mm Holesaw).

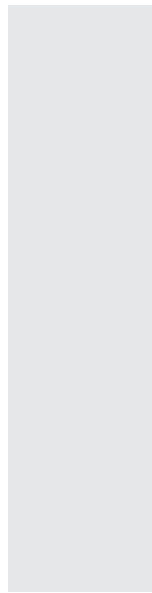
4 Drill the required holes.



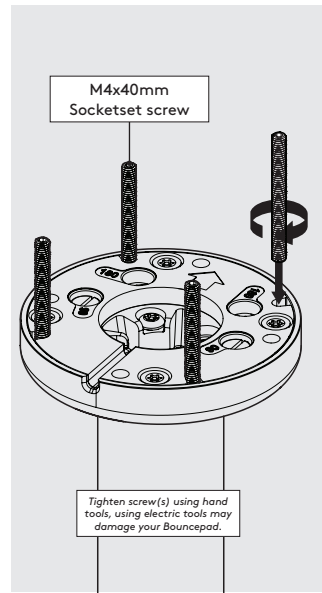
A2 Lift & hold the rubber screw covers.



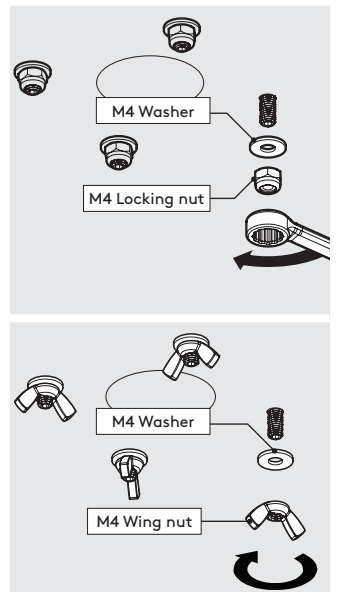
A3 Secure the Rotate to the mounting surface, then close the covers.



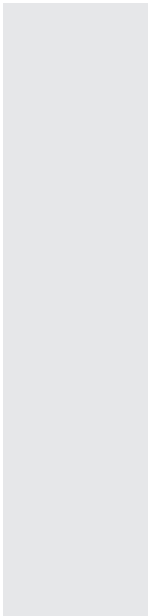
A4 Go to step 5



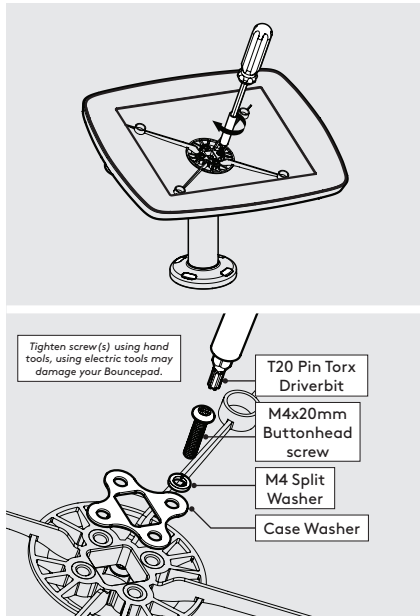
B2 Screw in the 4x Socket Set Screws. Ensure full thread engagement.



B3 Secure to the surface. Locking nuts offer greater security.



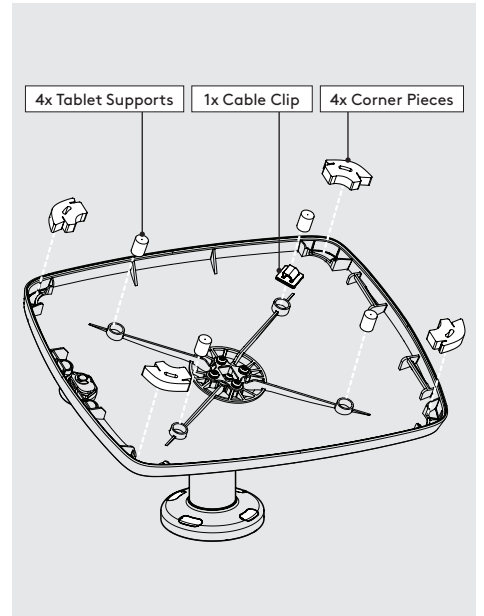
B4 Go to step 5



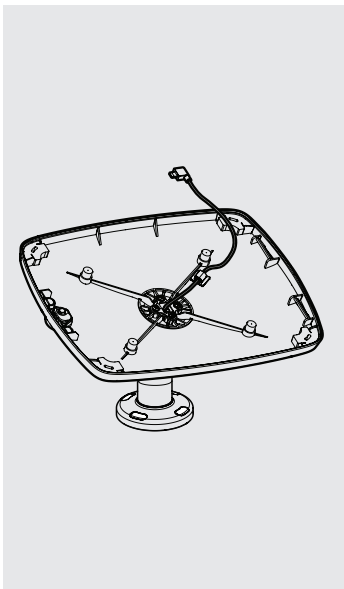
5 Install your Case as shown.



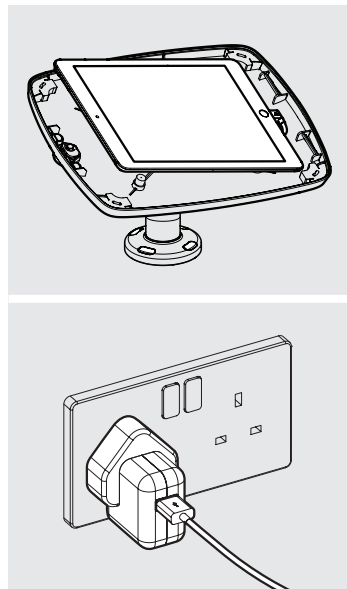
6 Unlock & remove the Faceplate from the Bouncepad Case.



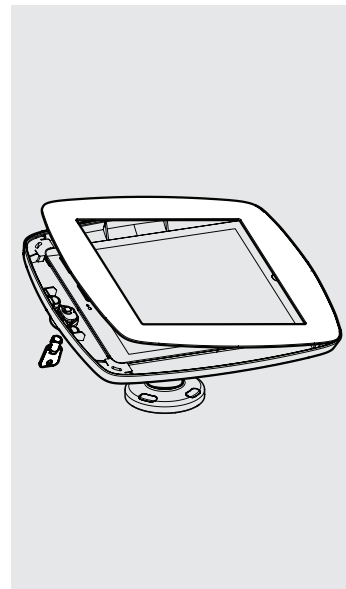
7 Install the Tablet Setup Kit. Each kit is specific per tablet device and Bouncepad Case.



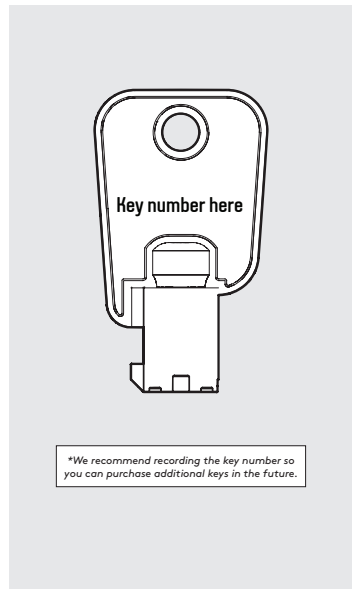
8 Feed the tablet cable through the Case and mounting surface.



9 Place the tablet into the Case and connect to power.



10 Locate and lock the Faceplate to the Case.



11 Installation is now complete.