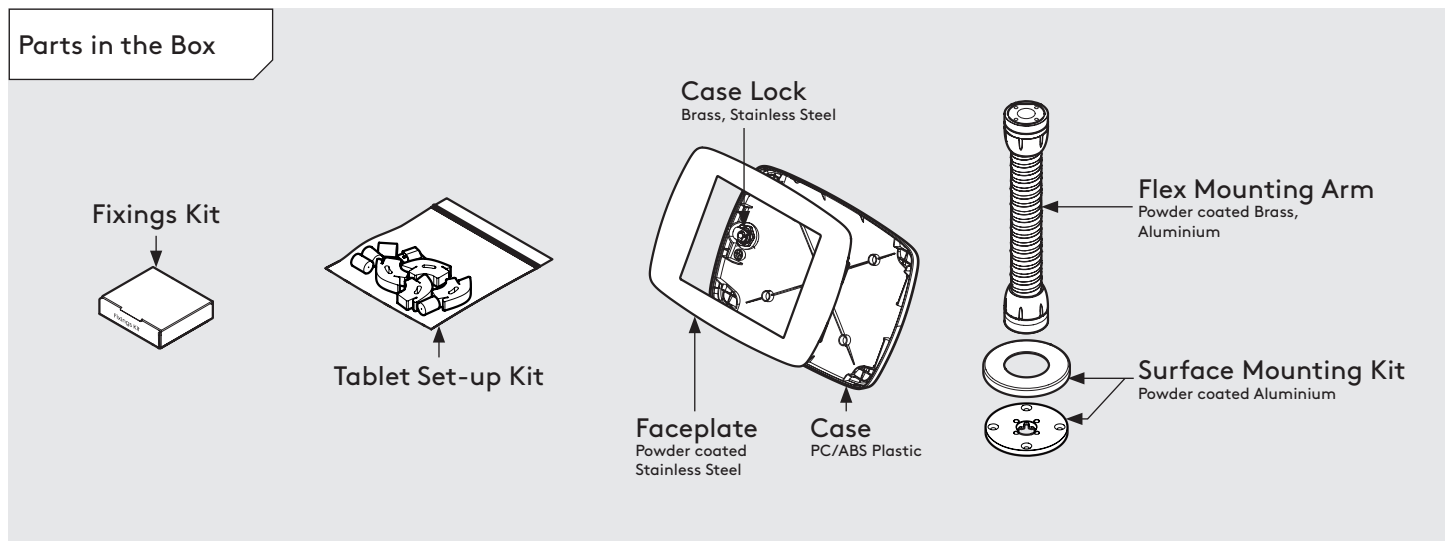
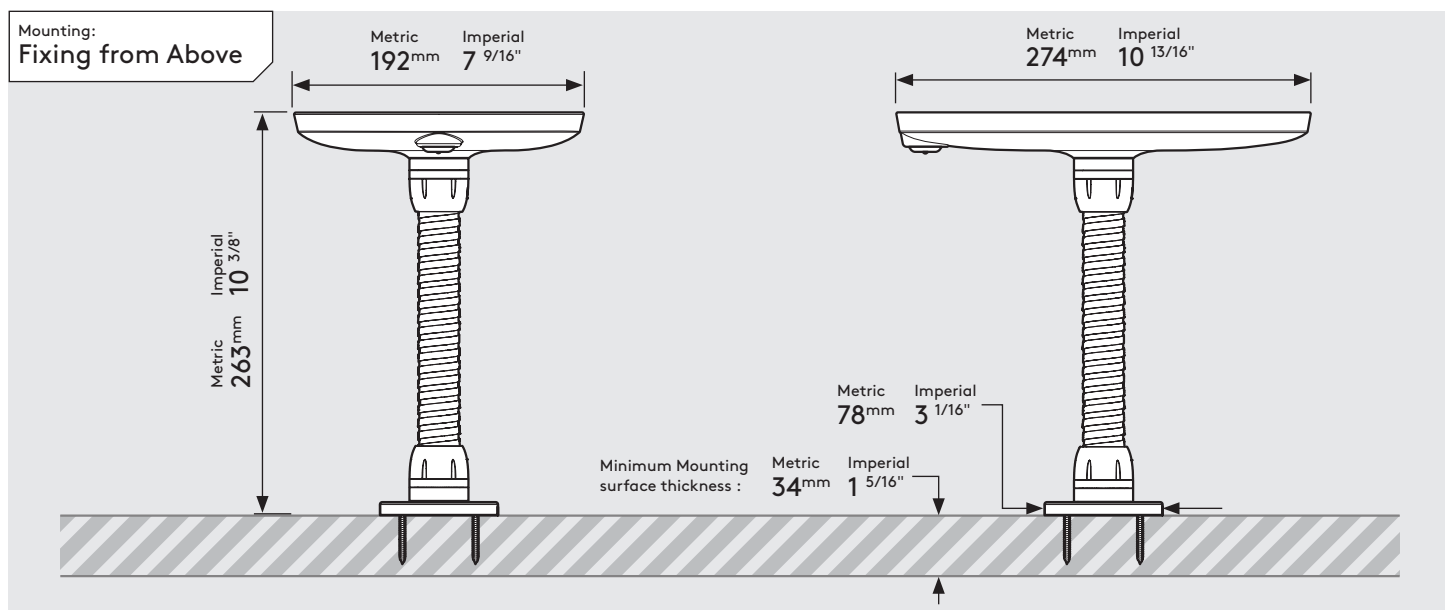
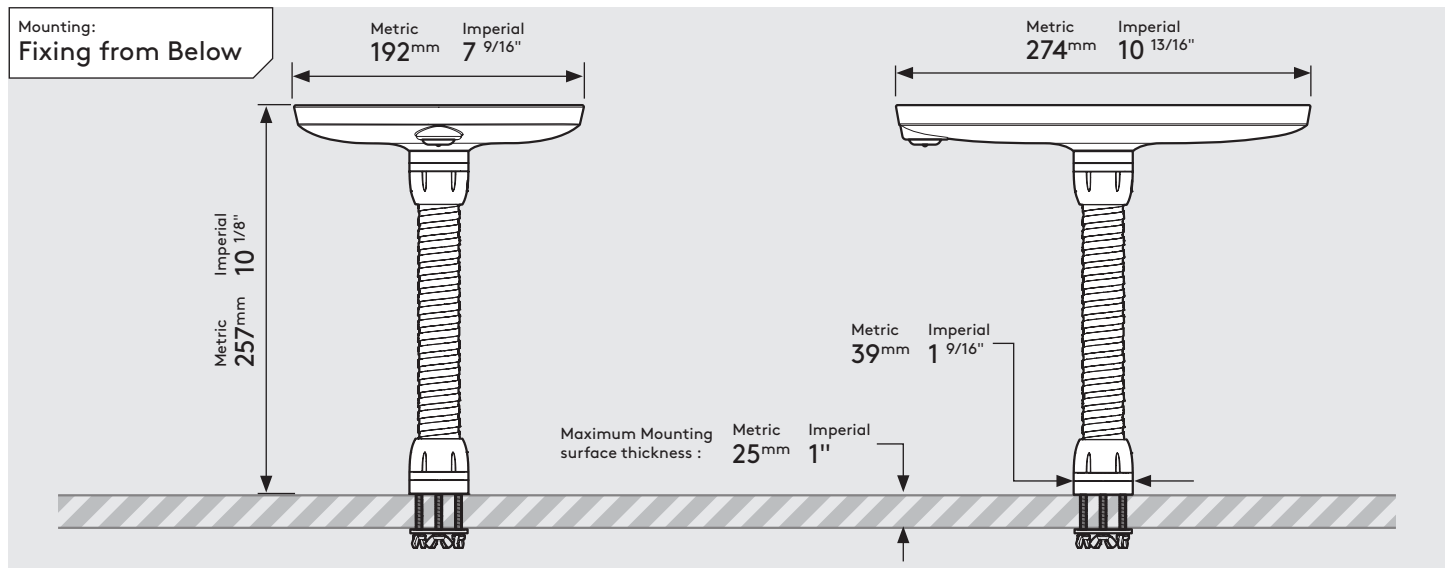


# PRODUCT DATA SHEET - FLEX (MINI CASE)

**bouncepad®**

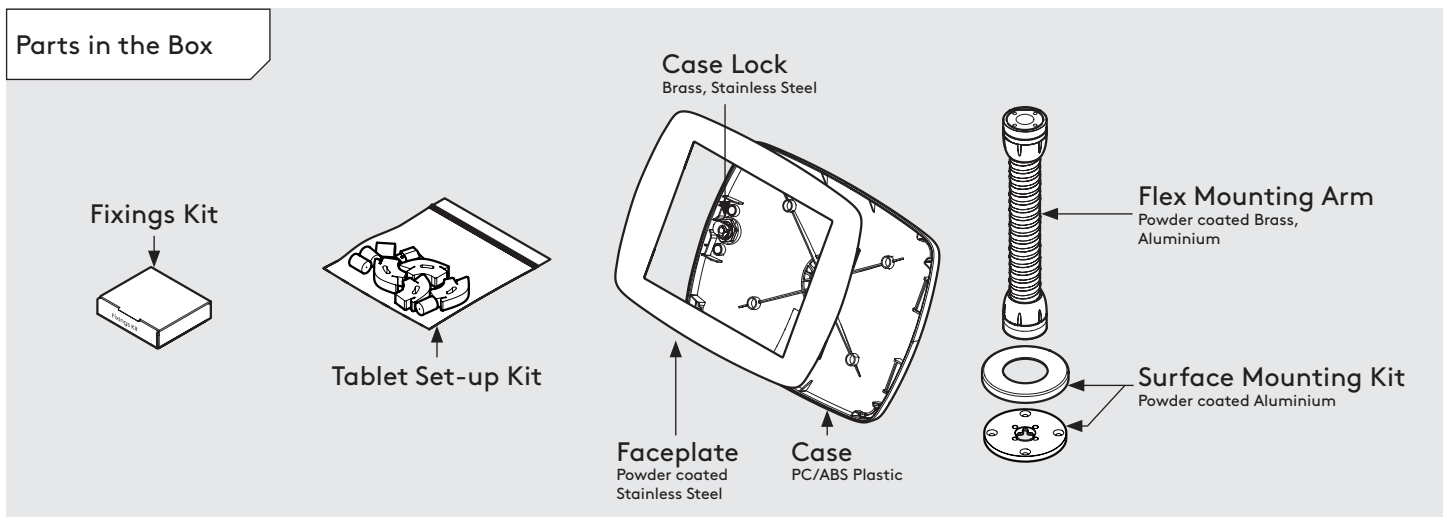
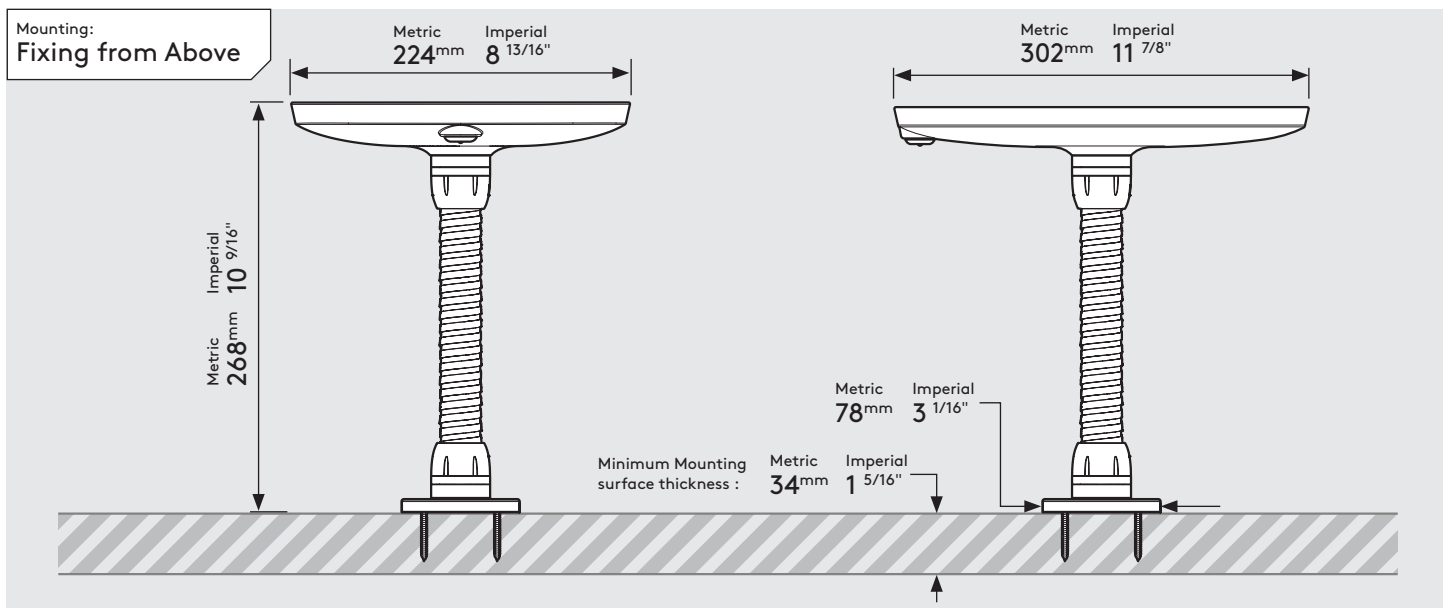
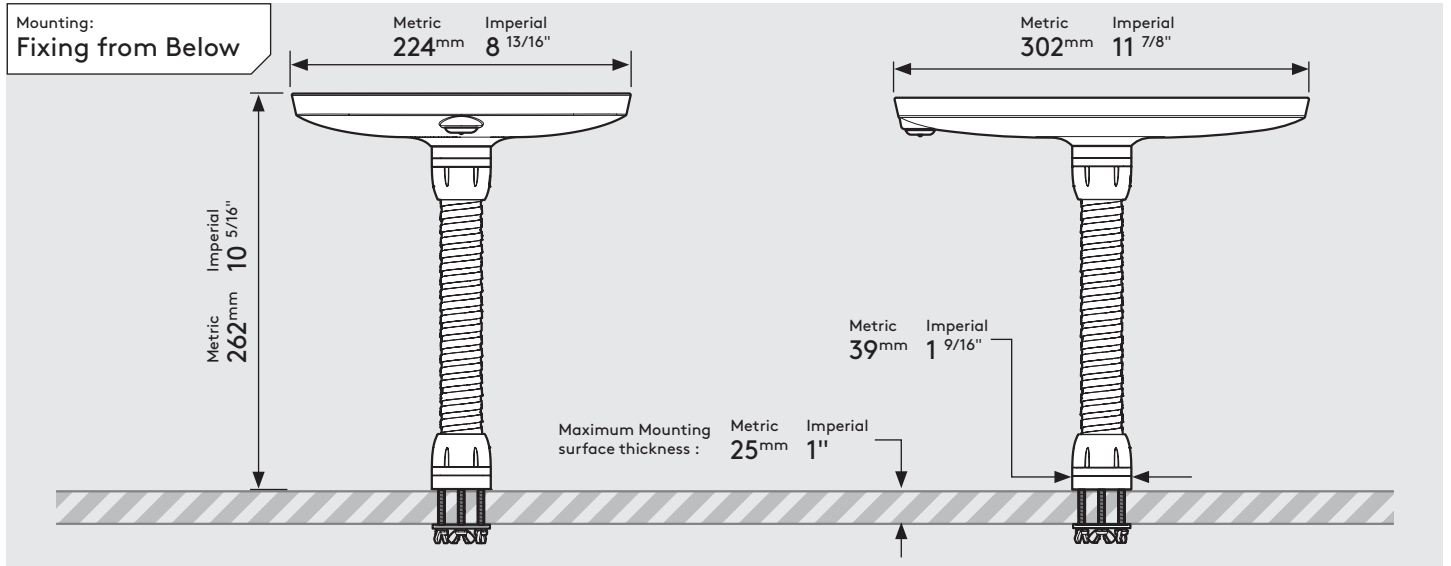
**Case:** Mini    **Arm:** Flex    **Mounting:** Fixing from Below  
 Fixing from Above    **Packaged weight:** 2.25kg    **Colour:** White  
 Black



# PRODUCT DATA SHEET - FLEX (MIDI CASE)

**bouncepad®**

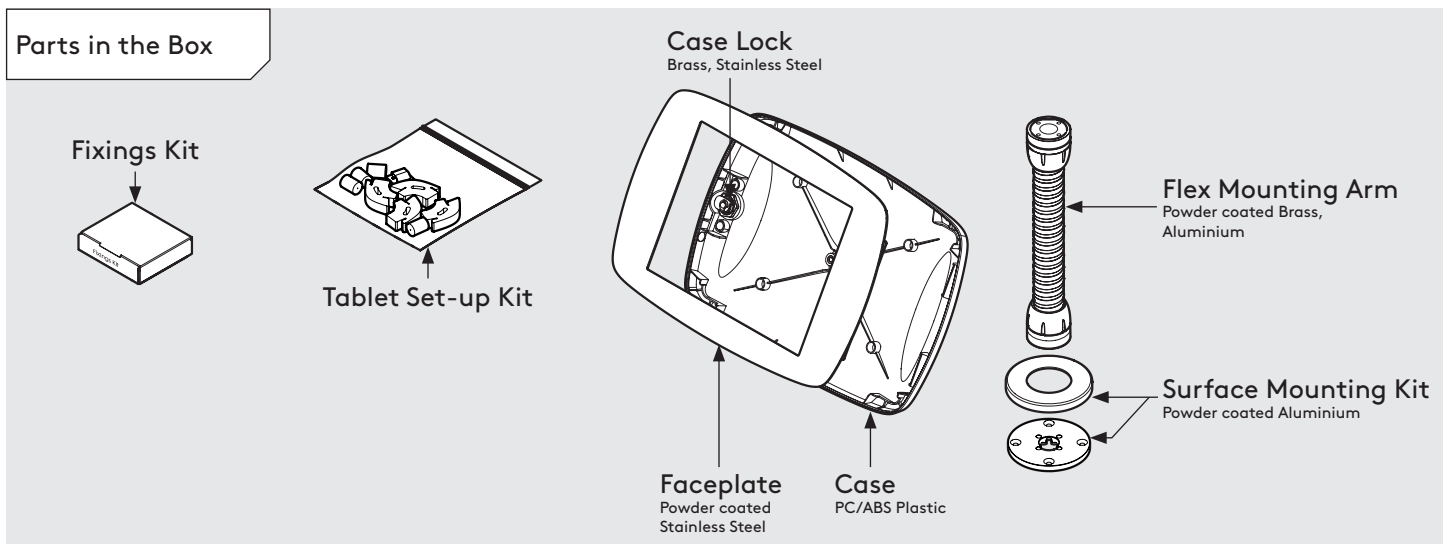
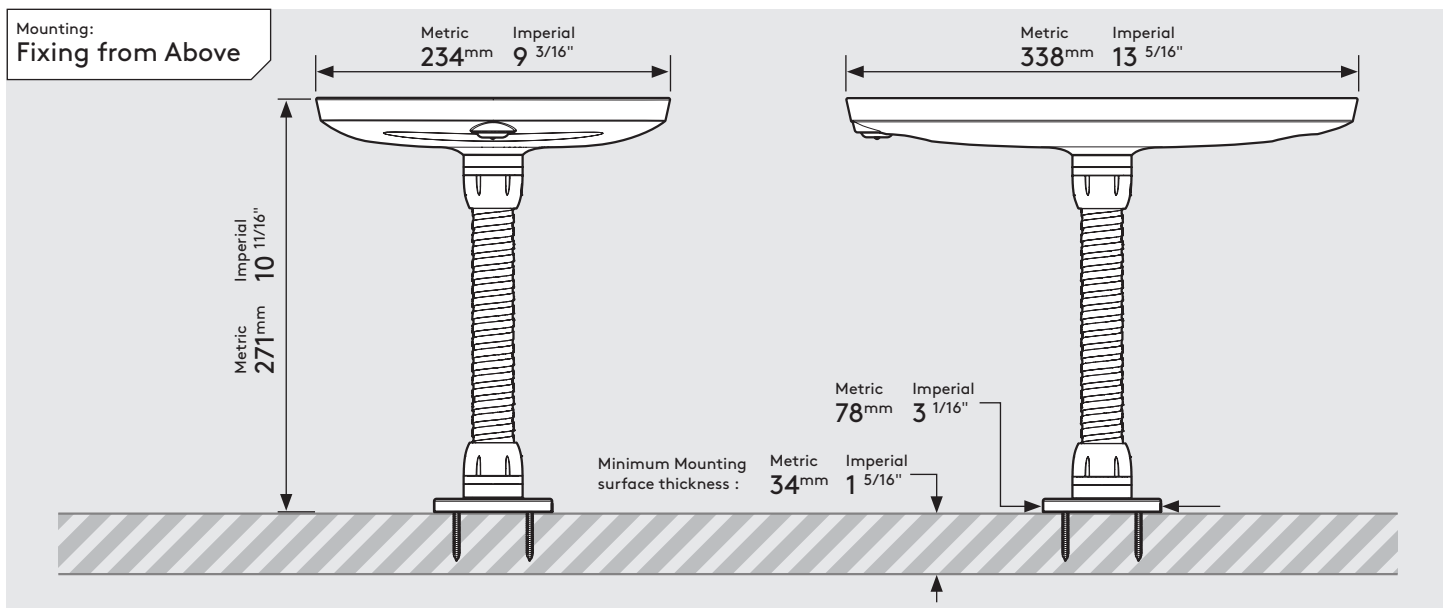
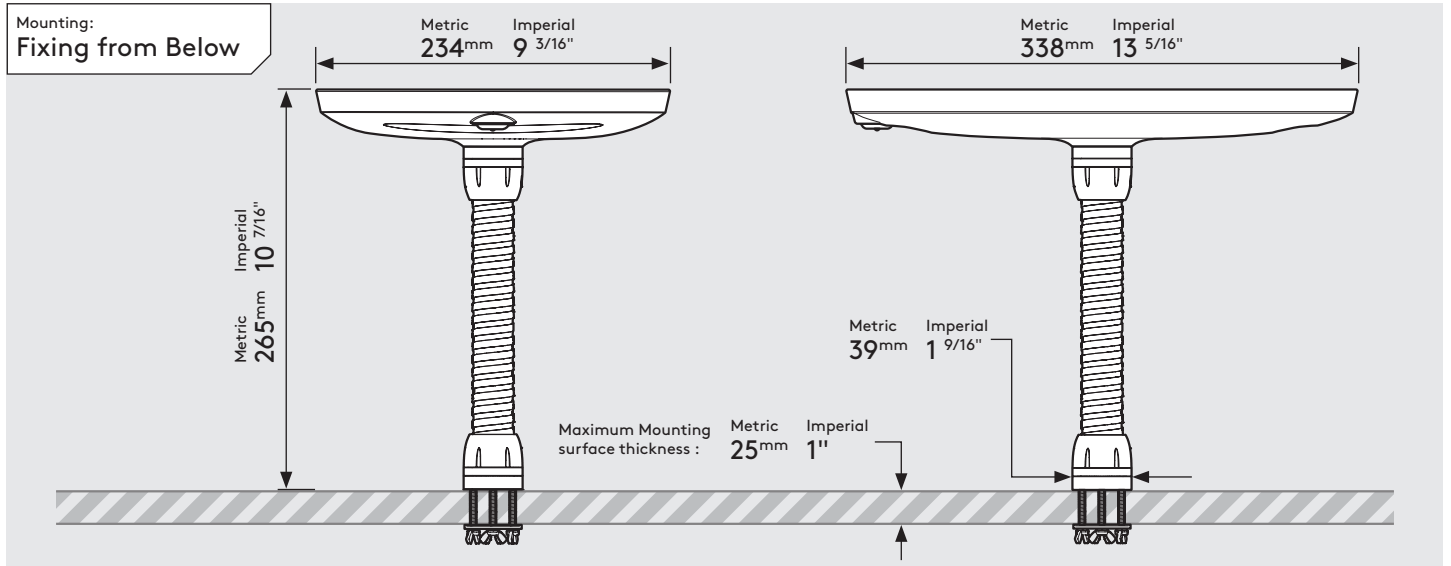
**Case:** Midi  
**Arm:** Flex  
**Mounting:** Fixing from Below  
**Fixing from Above**  
**Packaged weight:** 2.43kg  
**Colour:** White  
 Black



# PRODUCT DATA SHEET - FLEX (MAXI CASE)

**bouncepad®**

<b>Case:</b>	<b>Arm:</b>	<b>Mounting:</b>	<b>Packaged weight:</b>	<b>Colour:</b>
Maxi	Flex	Fixing from <b>Below</b> Fixing from <b>Above</b>	2.66kg	White Black



# PRODUCT DATA SHEET - FLEX (MEGA CASE)

**bouncepad®**

**Case:** Mega    **Arm:** Flex    **Mounting:** Fixing from Below  
 Fixing from Above    **Packaged weight:** 3.05kg    **Colour:** White  
 Black

