

Model S0660-RH

Wall Mounted, Swing Down Eye/Face Wash



SPECIFICATIONS:

Model S0660-RH is a wall mounted swing down eye/face wash that is installed behind the sink with ABS plastic eye/face wash spray heads. The eye/face wash swings down over the sink from the rear and the water flow is activated automatically. The eye/face wash flow is terminated once the unit has been swung back up into its original position for storage.

STANDARD EQUIPMENT:

Spray Head Assembly: ABS yellow plastic Eye/Face Wash heads supplied by a combined integral 3.7 GPM (14 LPM) Flow Control, with integral flip Dust Covers, internal Flow Controls and Filters to remove debris from the water. An anti-microbial agent is molded into the ABS material, providing integrated protection.

Valve: Swing down valve is mounted behind the sink on the wall and has a 50 mesh inline strainer.

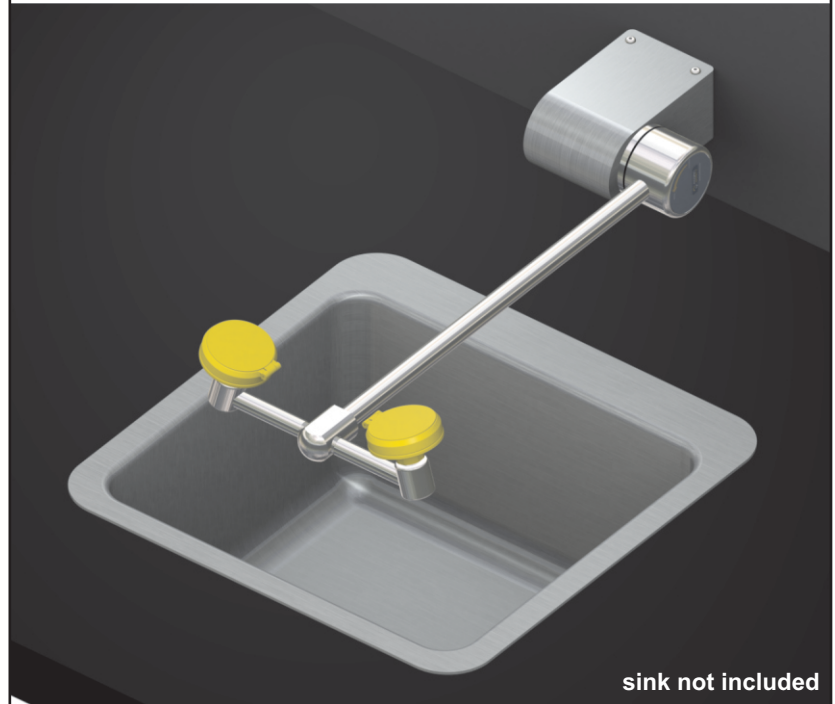
Water Supply: 1/2" NPT female threaded brass inlet.

Mounting: Wall mounted, 304 stainless steel valve housing.

Universal Sign: ANSI compliant, vertical identification sign.

Weekly Test Tag: A waterproof test card to record the date and inspector's name for weekly functional testing of the unit.

Model: S0660-RH



sink not included

OPTIONAL ACCESSORIES:

Additional costs may be incurred

- AS All stainless steel
- ET71-1-BVS-OTG Thermostatic mixing valve is ASSE Listed per the ASSE 1071 standard. The tepid output water complies with ANSI Z358.1 standard. Valve includes Ball Valve Shut-offs and Outlet Temperature Gauge
- FLW2 Flow switch, single pole
- LH Left hand mounting (Use model S0660-LH)
- SDC Stainless steel dust covers



Member of
U.S. Green
Building Council



Recyclable
Product

Acorn Safety assumes no responsibility for use of void or superseded data. © Copyright Acorn Safety®, City of Industry, CA, Division of Acorn Engineering Company®, Member of Morris Group International™. Please visit www.acorneng.com for most current specifications.

Submittal # **S0660-RH**
[EFW] Revised: 01/08/20

Product carries the following certifications:



Test rating conditions are compliant to ANSI Z358.1



Division of
Acorn Engineering Company®,
Member of
Morris Group International™

ACORN SAFETY

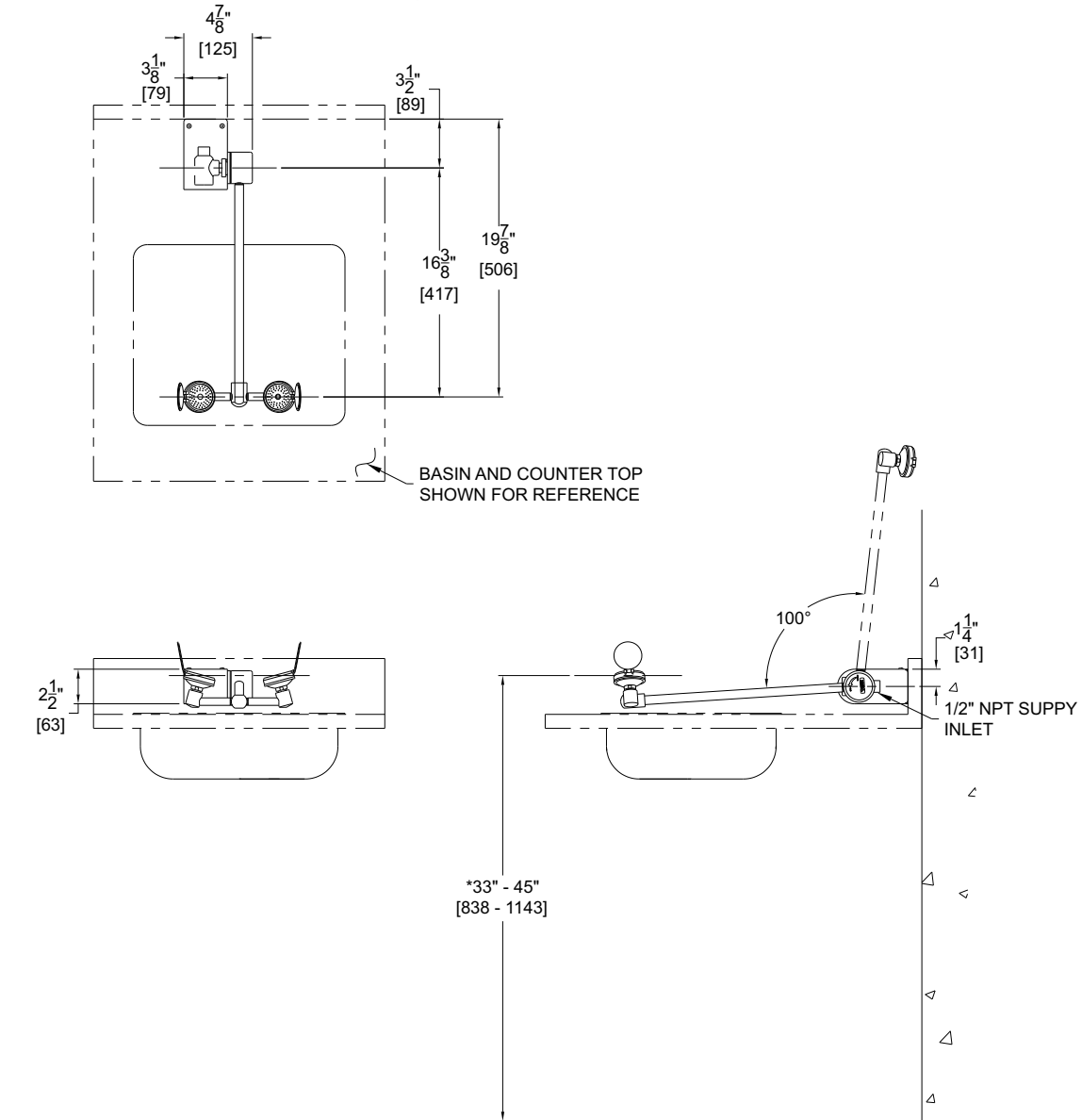
P.O. Box 3527
City of Industry, CA
91744 U.S.A.
Phone 800-591-9372
626-855-4804

www.acorneng.com

TECHNICAL DIMENSIONS

All dimensions are subject to manufacturer's tolerance of plus or minus 1/2" nominal and subject to change without notice. Acorn Safety® assumes no responsibility for use of void or superseded data. Dimensions may change with the addition of optional accessories. © Acorn Safety®, A Division of Acorn Engineering Company®, Member of Morris Group International™. Please visit www.acorneng.com for most current specifications.

Model S0660-RH : Wall Mounted, Swing Down Eye/Face Wash



BASIN AND COUNTER TOP SHOWN FOR REFERENCE

S-0660-RH

GENERAL NOTES:

1. ALL DIMENSIONS ARE IN INCHES [MM].
- *2. ANSI Z358.1 REQUIRES NOZZLES TO BE MOUNTED BETWEEN 33" - 45" [838 - 1143] ABOVE THE FINISHED FLOOR.
3. RIGHT HAND MODEL SHOWN. LEFT HAND MODELS AVAILABLE.

⚠ WARNING: Cancer and Reproductive Harm - www.P65Warnings.ca.gov

S0660-RH Revised: 01/08/20

Acorn Safety warrants that its products are free from defects in material or workmanship under normal use and service for a period of one year from date of shipment. Acorn's liability under this warranty shall be discharged solely by replacement or repair of defective material, provided Acorn is notified in writing within one year from date of shipment, F.O.B. Industry, California.

SELECTION SUMMARY & APPROVAL FOR MANUFACTURING

Model Number & Options _____ Quantity _____

Company _____

Contact _____ Title _____

Signature (Approval for Manufacturing) _____ Date _____



800-591-9372
or 626-855-4804
www.acorneng.com