

Model S0000-FME

Faucet Mounted Eyewash



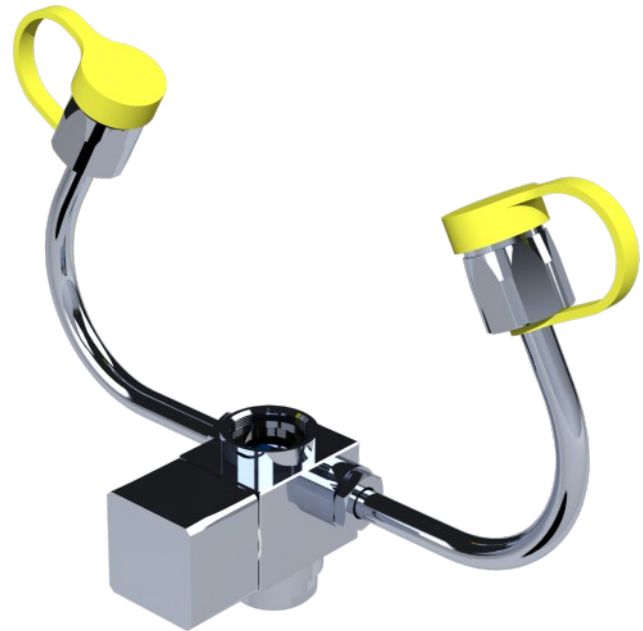
SPECIFICATIONS:

Model S0000-FME is a faucet mounted eyewash that provides an economical eyewash alternative. May be used with various styles of faucets. Activation is accomplished with a forward mounted Diverter Handle. Operates from 30-90 psi. Twin eyewash heads with protective plastic Caps are provided.

STANDARD EQUIPMENT:

All pipe and fittings are constructed from chrome plated brass. Adjustable eyewash head included with pop off dust covers. 55/64"-27 female thread faucet connection is provided as standard.

Model: S0000-FME



OPTIONAL ACCESSORIES:

Additional costs may be incurred

- A305 Adapter: male 11/16" x 27 thread
- A310 Adapter: male 15/16" x 27 thread
- A339 Adapter: male 13/16" x 27 thread
- A306 Adapter: female 3/4" x 27 thread
- A345 Adapter: female 3/4" x 27 garden hose thread



Model 305



Model 310



Model 339



Model 306



Model 345

NOTE:

This fixture does not conform with ANSI Z358.1 requirements and is only intended as a supplement to a code compliant, plumbed eye-wash device.

Acorn Safety assumes no responsibility for use of void or superseded data. © Copyright Acorn Safety®, City of Industry, CA, Division of Acorn Engineering Company®, Member of Morris Group International™. Please visit www.acorneng.com for most current specifications.

Submittal # **S0000-FME**
[CMB] Date: 05/03/2023



Division of
Acorn Engineering Company®,
Member of
Morris Group International™

ACORN SAFETY

P.O. Box 3527
City of Industry, CA
91744 U.S.A.

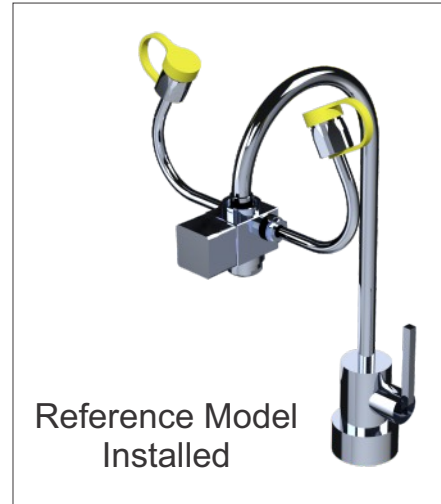
Phone 800-591-9372
626-855-4804

www.acorneng.com

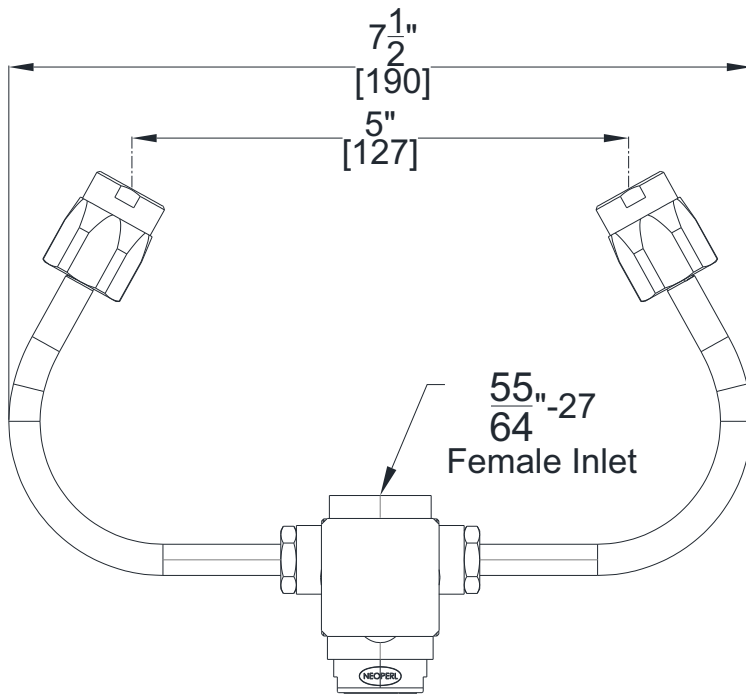
TECHNICAL DIMENSIONS

All dimensions are subject to manufacturer's tolerance of plus or minus 1/2" nominal and subject to change without notice. Acorn Safety® assumes no responsibility for use of void or superseded data. Dimensions may change with the addition of optional accessories. © Acorn Safety®, A Division of Acorn Engineering Company®, Member of Morris Group International™. Please visit www.acorneng.com for most current specifications.

☐ Model S0000-FME : Faucet Mounted Eyewash

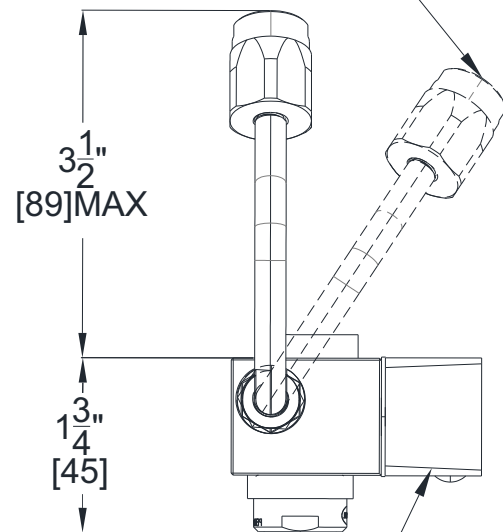


Reference Model Installed



For OSHA compliance on installation, delivered hot water temperature CANNOT exceed 100°F (37.78°C).

Outlet Head may be adjusted to desired angle



Diverter Valve (Rotate to Activate eyewash)

⚠ WARNING: Cancer and Reproductive Harm - www.P65Warnings.ca.gov

S0000-FME Date: 05/03/2023

SELECTION SUMMARY & APPROVAL FOR MANUFACTURING

Model Number & Options _____ Quantity _____

Company _____

Contact _____ Title _____

Signature (Approval for Manufacturing) _____ Date _____



800-591-9372
or 626-855-4804
www.acorneng.com