



PANDO WIND DEFLECTOR KIT INSTALLATION

CONTENTS:

3X RIVNUTS

5X ROUND HEAD THUMB SCREWS

TOOLS REQUIRED:

MEASURING TAPE

5/16" WRENCH

5/16" DRILL BIT

FILE

RIVNUT INSTALL TOOL

PANDO

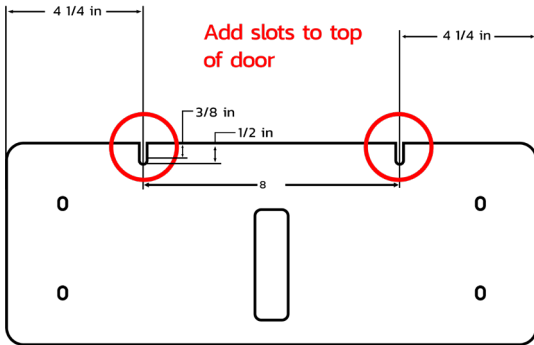
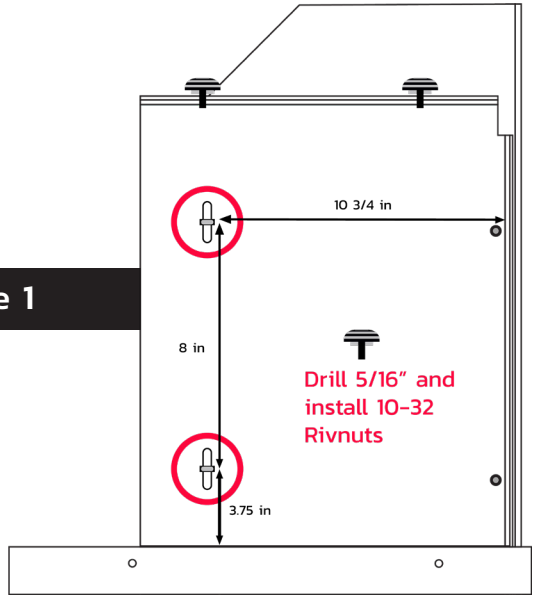
INSTALLATION FOR STORAGE MOUNTING POINTS

1. The wind deflector will be stored on the left wall in the rear galley kitchen. Following Figure 1, begin by marking the holes. Starting at the inner corner, measure 10.5" across to the left and 3.75" from the bottom, mark the first hole.
2. Starting again at the inner corner, measure 10.5" across to the left and 11.75" from the bottom, mark the 2nd hole.
3. Using a 5/16" drill bit, drill holes in the 2 markings.
4. Using the rivnut tool, install 2 of the supplied rivnuts into the 2 holes.
5. The smaller of the two panels will sit against the wall with the lip on the inner corner facing outwards. The 2nd panel will sit in front of the 1st with the larger lip on the bottom facing outwards.
6. Install 2 of the supplied round head thumb screws into the rivnuts.

WIND DEFLECTOR INSTALLATION

1. Following Figure 2, you will create 2 notches in the face of the slide out cook top. Measure 4.25" from the left edge of the panel and 3/8" from the top, make a mark.
2. Using a 5/16" drill bit, drill through the mark you've made.
3. Create a 2nd mark halfway between the hole you've created and the top of the panel. Using your 5/16" drill bit, drill through the marking.
4. Use a file to open the edges to equal width and clean up any sharp edges.
5. Repeat the above steps 1-4 for the right edge. The two markings should be 8" apart, center to center.
6. Open the slide out cook top as far as it can go. Install the larger of the two panels and tighten the round head thumb screws into the two notches you've created to ensure fitment as you complete the installation.
7. Following Figure 3, start at the back right corner of the cook top and measure 1" towards the right and 1" from the outer edge of the sliding tracks, mark the hole. Place the smaller panel on the back edge to ensure the hole will line up well when installed.
8. Using a 5/16" drill bit, drill the hole where you made the marking.
9. Using the rivnut tool, install the last rivnut.
10. Use a round head thumb screw to secure the back panel into place.

Pando Figure 1



Pando Figure 2

Pando Figure 3

