



## **EXPEDITION SPICE RACK & WIND DEFLECTOR KIT INSTALLATION**

### **CONTENTS:**

5X RIVNUTS

18X WASHERS

6X NUTS

6X BOLTS

3X ROUND HEAD THUMB SCREWS

4X FLAT HEAD THUMB SCREWS

### **TOOLS REQUIRED:**

PHILLIPS SCREWDRIVER

MEASURING TAPE

¼" DRILL BIT

5/16" DRILL BIT

3/8" WRENCH

1" HOLE SAW

RIVNUT INSTALL TOOL

# **EXPEDITION**

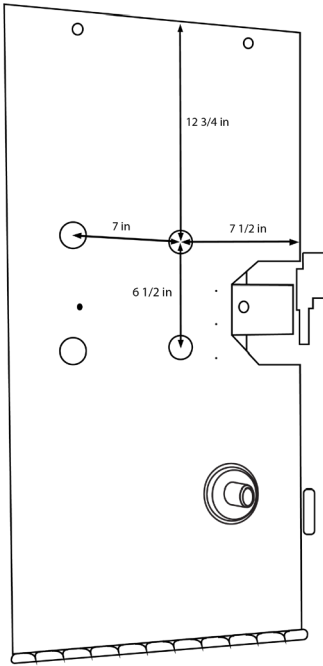
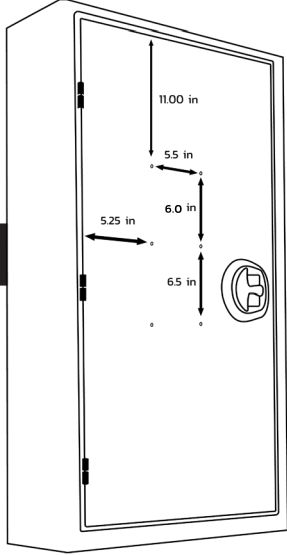
## **SPICE RACK INSTALLATION**

1. Start on the outside of the kitchen door on the Expedition. Locate and mark 6 holes as per measurements found on Figure 1. Drill holes using a ¼" drill bit.
2. Using the supplied Philips head bolt and one washer, place through the top 2 holes on the outside. Hang the spice rack and secure with 2 washers and one nut from the inside.
3. Repeat step 2 for the 2nd and 3rd row.
4. Install the 4 supplied flat head thumb screws onto the front of the spice rack on the 1st and 2nd level.
5. Place the 2 larger wind deflector plates onto the flat head thumb screws so the lip is sitting on top of the spice rack, followed by the smaller plate. Tighten the thumb screws.

## **WIND DEFLECTOR INSTALLATION**

1. Following Figure 2, drill 4 holes using a 1" hole saw.
2. Following Figure 3, start at the back of the kitchen area (top of photo) and mark 2 holes. The first marking will be 5.25" from left edge and 1" from the outside edge. The second hole will be 14.75" from the left edge and 1" from the outside edge.
3. Drill holes using a 5/16" drill bit, careful not to bury the drill.
4. Using the rivnut tool, install the supplied rivnuts into the back 2 holes and install the back panel to ensure fitment as you complete the installation.
5. From the front left corner of the stove, measure 5.25" and make a marking 0.75" from the outside edge. From there, measure 9.5" and make a marking 0.75" from the outside edge for the second hole.
6. Starting back at the front left corner of the stove, measure 8.25" to the right and make a marking 1" from the outside edge.
7. Drill holes into the 3 markings that you made using a 5/16" drill bit.
8. Use the rivnut tool to install the remaining 3 rivnuts into the 3 holes that you drilled.
9. Install the panels by using the round head thumb screws.

**Expedition Figure 1**



**Expedition Figure 2**

**Expedition Figure 3**

