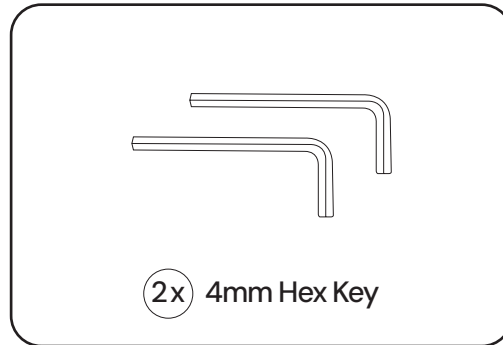
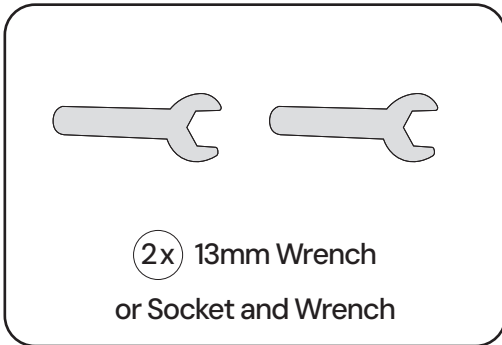



Sparrow 2 Series Crossbars

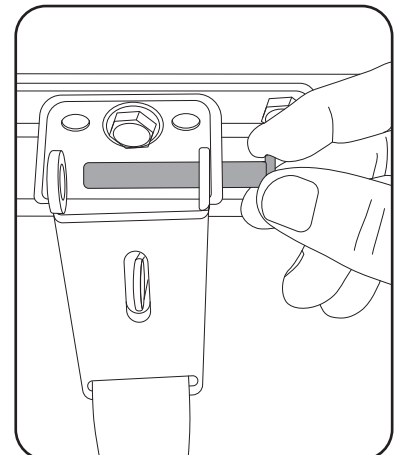
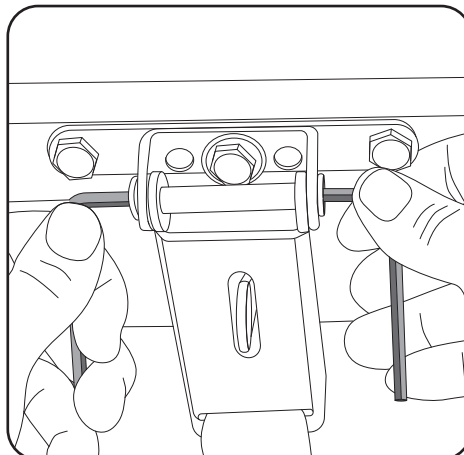
Installation Instructions

Tools Needed



 Unpack the crossbars and make sure you have:
towers, crossbars, and 16x m8 bolts with lock nuts.

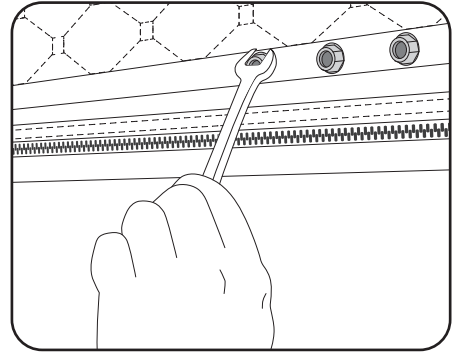
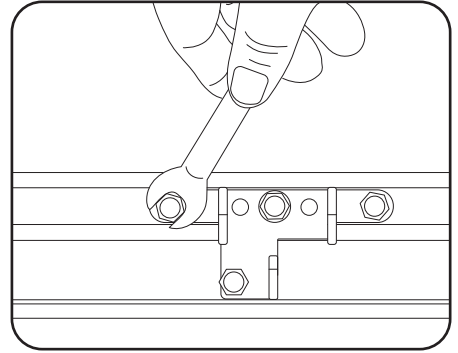
- STEP 1 | Remove latch cross bolt.
- Using 2x 4mm Hex wrenches, remove the cross bolt.
- Set these aside for reinstallation.



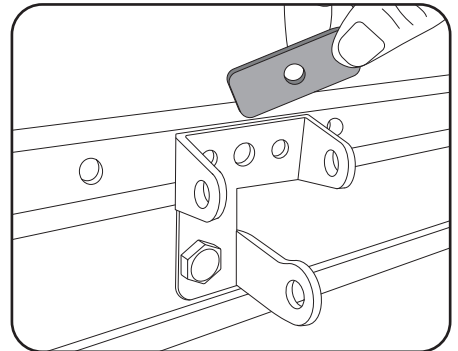
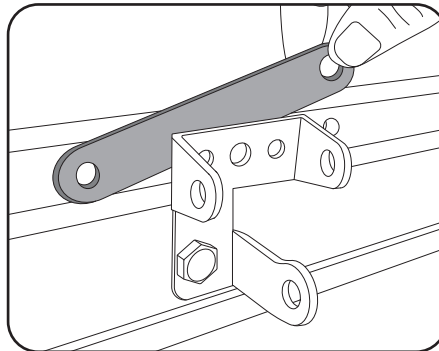
STEP 2 | Remove the upper bolts from the latch
(Leave the bottom latch bolt installed).

- a. Using (2x) 13mm wrenches, remove the three top bolts from the tent.

There is a 13mm lock nut inside the tent that the second wrench is for.

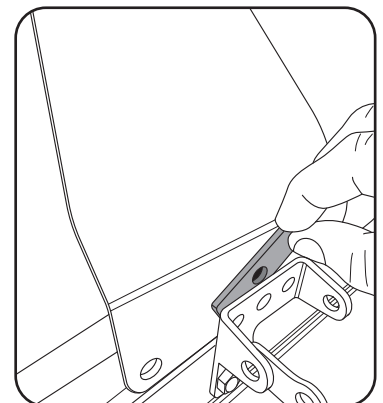
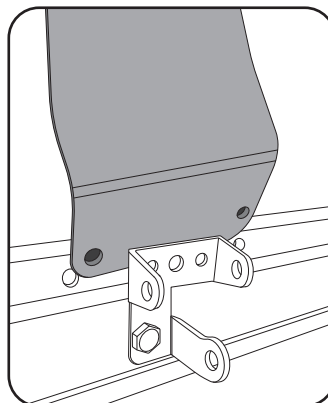


STEP 3 | Remove spacer plates.

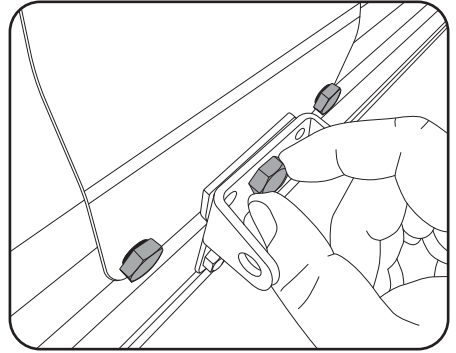


STEP 4 | Insert Tower and small spacer.

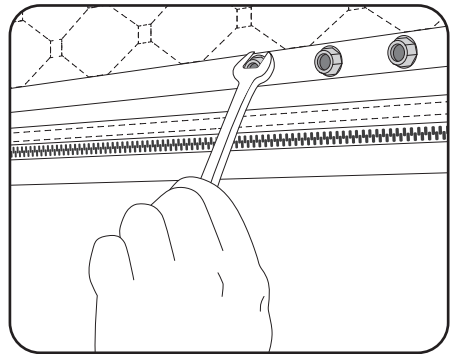
Align the bolt holes.



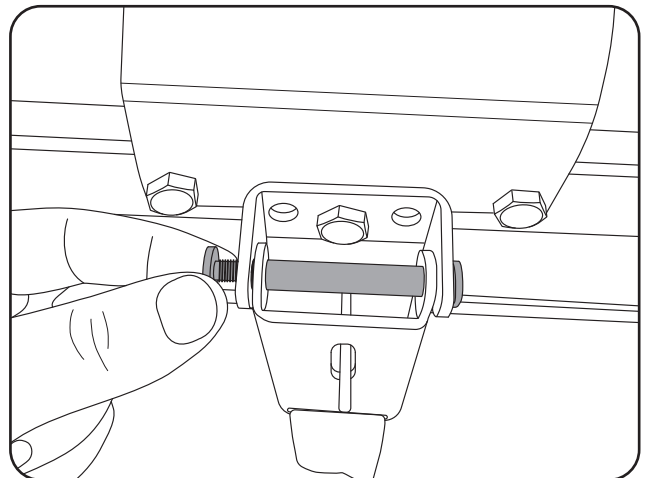
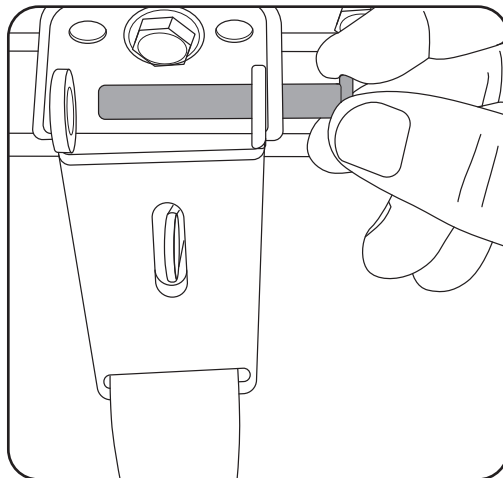
STEP 5 | Insert all 3 Bolts.



STEP 6 | Install lock nuts on the inside of tent and tighten with (2x) 13mm wrenches.



STEP 7 | Reinstall latch cross bolt and tighten with (2x) 4mm hex wrenches.

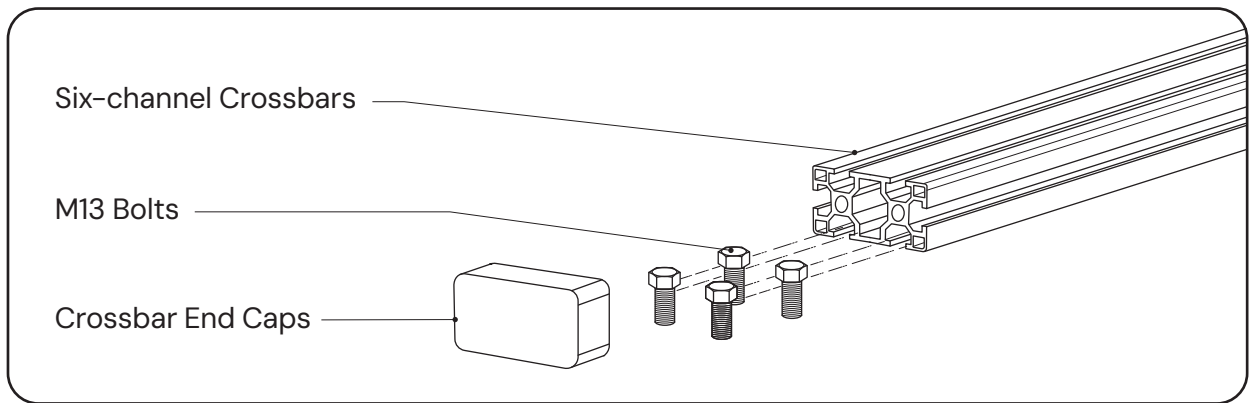


Repeat on the remaining 3 latches.

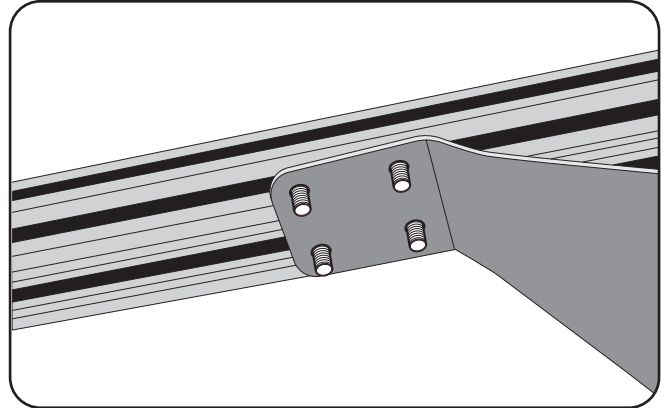
Prepare Crossbars

STEP 8 | Insert (4x) M13 bolts into each end of the crossbars, 2 per track and place crossbar end cap on end.

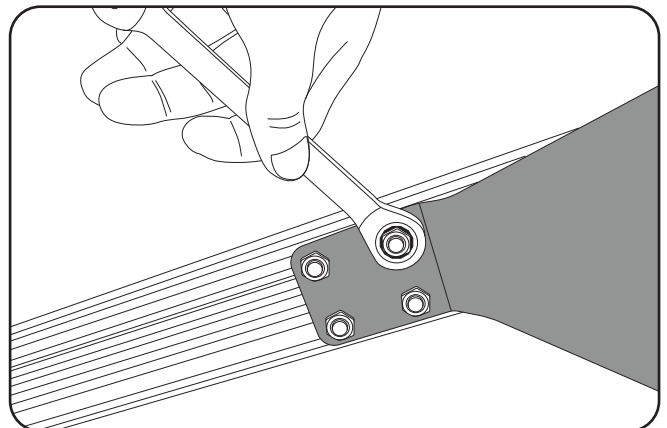
Repeat on each end of both crossbar.



STEP 9 | Place Crossbar onto Towers
Align the bolts with the holes of the towers. Add a M13 lock nut to each bolt.



STEP 10 | Center the Crossbar
between the two towers and tighten the M13 Nuts.



Thank You For Being a Roofnest Customer!



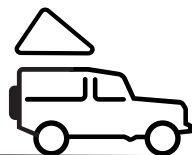
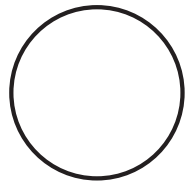
Please stay in touch and let us know where your travels take you – **we love to get photos!**

We also have a great community online where customers post photos, share stories, tips, and good vibes – the Roofnest Flock – find it on Facebook by searching for “Roofnest Flock”.

e: support@roofnest.com

p: (303) 502-5406

roofnest.com



Now Go Camping and Enjoy!

Share Your Adventures **#Roofnest**