



## **Roofnest Meadowlark** Install and Setup Instructions

---

# Welcome to the Flock!

## Let's get your rig sorted.

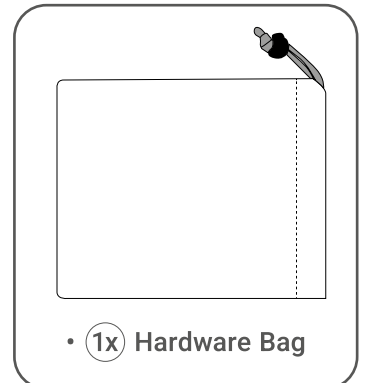
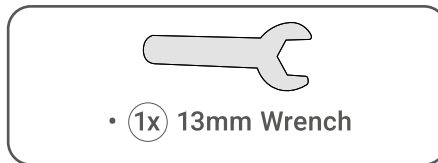
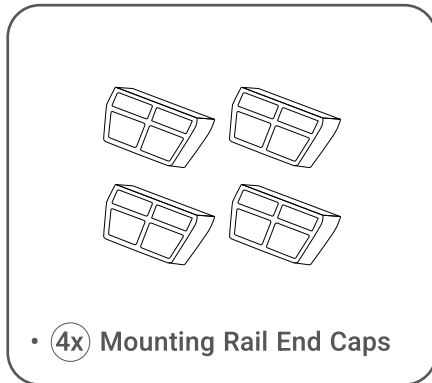
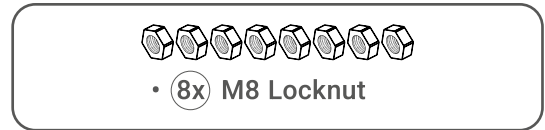
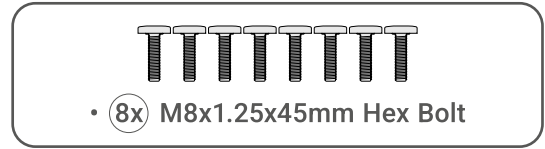
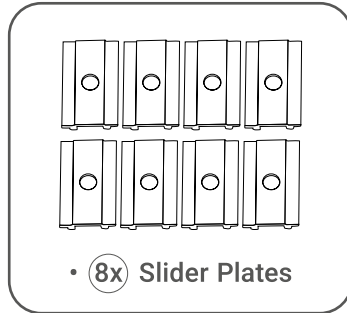
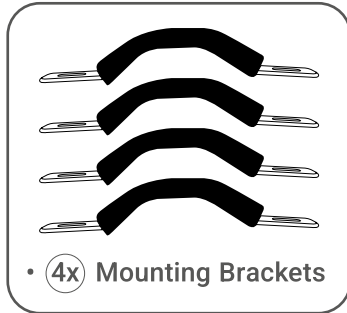
### A Note About Crossbars and Roof Racks

- Mounting a Roofnest requires two crossbars placed at least thirty inches apart with enough clearance to install the mounting hardware that comes with your tent.
- On some vehicles, the stock crossbars are too close to the roof to install the mounting hardware. In these cases, after-market crossbars are required.
  - [etrailer.com](https://www.etrailer.com) is a great resource to find the best crossbars for your vehicle, or [check out this article for more information.](#)

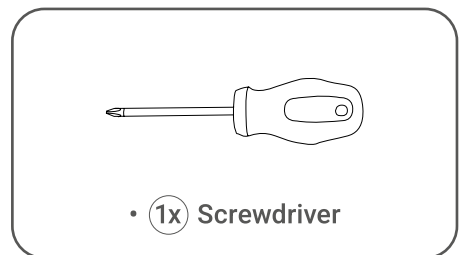
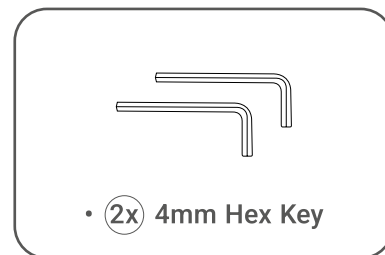
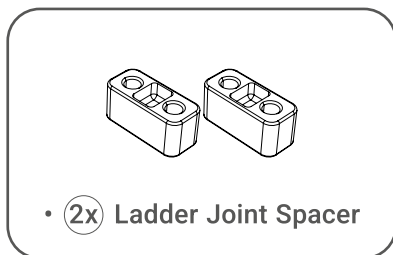
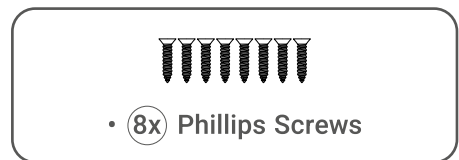
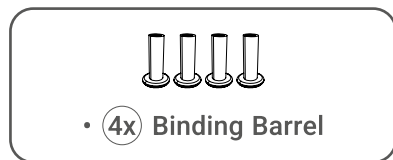
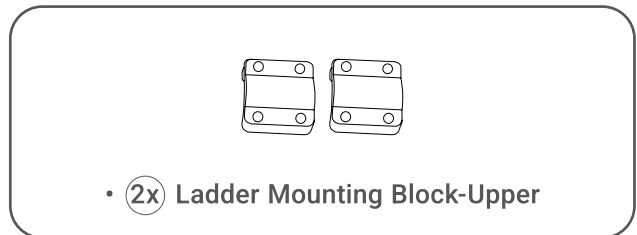
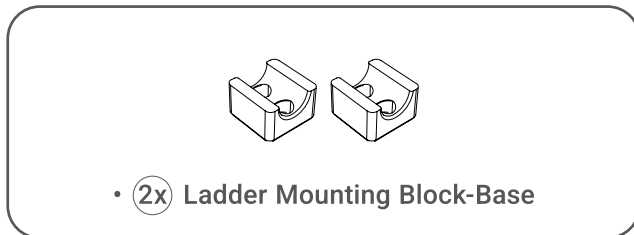


- Your crossbars must be rated to support the weight of the tent by itself. Crossbars have a weight rating that refers to the dynamic load (when your vehicle is moving at highway speeds) and can support 5-7 times this dynamic load rating when your car is parked.
- Platform racks can be used, but are not necessary and in some cases make installation trickier. Please refer to the platform rack installation guide on our website for more information.

# Mounting kit



# Ladder hardware

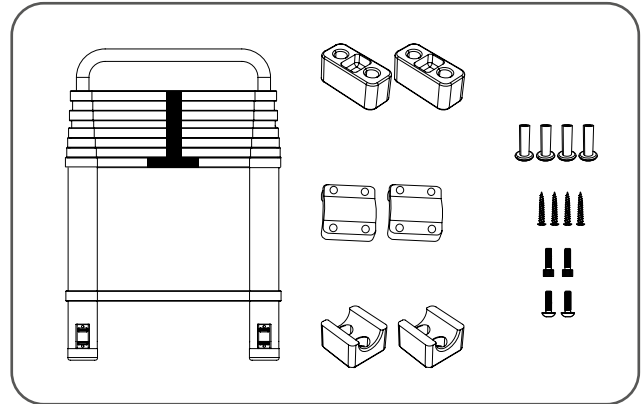


# Ladder installation instructions

---

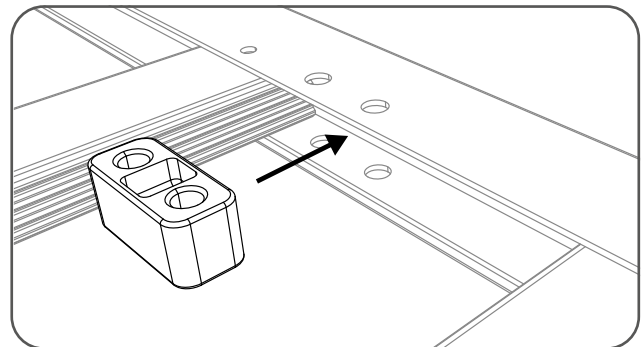
## Step 1

- Remove the Ladder from the box (shipped separately) and locate the Ladder hardware inside the tent.



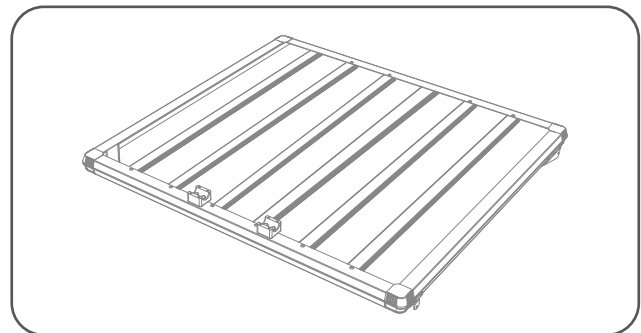
## Step 2

- Insert the Ladder Spacer between the rails and align it with the holes as pictured. Repeat on both sets of holes.



## Step 3

- Place the Ladder Mounting Block-Base over the holes.

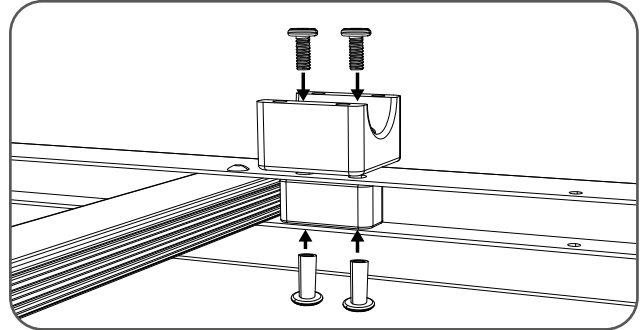


## Step 4

- Insert the Binding Barrel through the tent frame and Ladder Spacer.

**Step  
5**

- Insert the Binding Bolt from the top of the Ladder Mounting Block and tighten it to the Binding Barrel with the two 4mm Hex Key Wrenches.



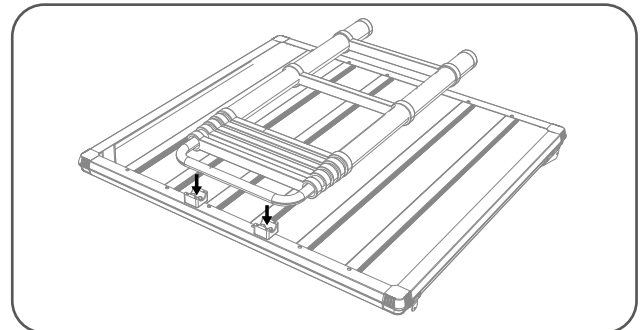
**Step  
6**

- Repeat steps 4 and 5 for the remaining 3 holes, making sure all 4 bolts are tight.

**Step  
7**

- Place the Ladder on top of the tent with the crossbar nested in the Ladder Mounting Block-Base.

Make sure warning labels on the ladder are facing outward.



**Step  
8**

- Place the Ladder Mounting Block-Upper over the ladder crossbar and attach it to the Mounting Block-Base using the Phillips Head Screws. Make sure all 8 screws are tight.



# Tent installation instructions

⚠ **Note: This is a two-person job**

Step  
1

- The Roofnest Logos on the cover should be facing the front and back of your vehicle. Lift the tent onto your crossbars.

Step  
2

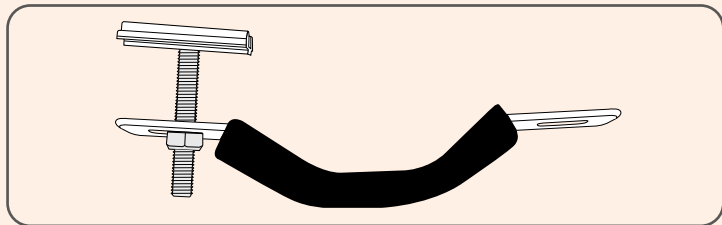
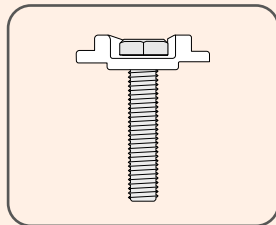
- Make sure the tent is positioned approximately where you want it. For SUVs and hatchbacks, open your trunk and push the tent back until it just misses touching the open trunk. This way you can be sure the tent won't interfere with your trunk's operation.

Step  
3

- Prepare your mounting sets.  
[Here is a helpful video from one of our customers.](#)



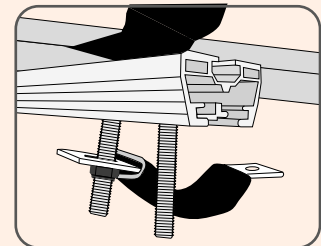
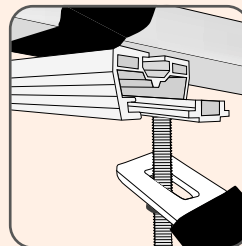
- a. Insert an M8 BOLT into the SLIDER PLATE (the bolt head should nest between the rails) and then attach a MOUNTING BRACKET (concave pointing up). Then attach an M8 Locknut and tighten until it is about half way. **Repeat three more times.**



- b. Prepare four M8 BOLTS and Slider Plate sets by inserting an M8 BOLT into each mounting plate.

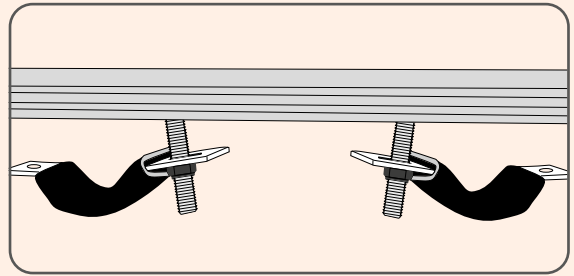
Step  
4

- Slide each Mounting Bracket set into the mounting track, followed by an M8 BOLT and plate set. **Repeat for each corner of the tent.**



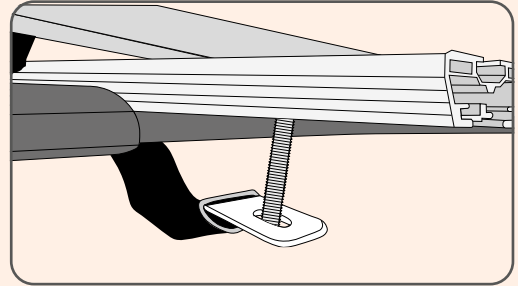
Step  
5

- Start at one side of the tent and with a partner lift the tent, tipping it towards the opposite side. Slide the mounting set to the inside of your crossbar. **Repeat for each corner.** Your mounting bracket sets should be between the vehicle crossbars.



Step  
6

- Connect the mounting sets together with the MOUNTING BRACKET below your crossbar with a bolt on each side. Inserting the dangling M8 BOLT through the MOUNTING BRACKET and finger-tighten the M8 LOCKNUT onto the M8 BOLT. **Repeat for all four corners.**



Step  
7

- Before you do a final tightening, position your tent exactly where you want it, then, firmly tighten all the nuts. The bottom brackets around the crossbars will flex when your hardware is properly tightened.

Step  
8

- Place the Mounting Rail End Caps on each end of the mounting rails.



PRO TIP

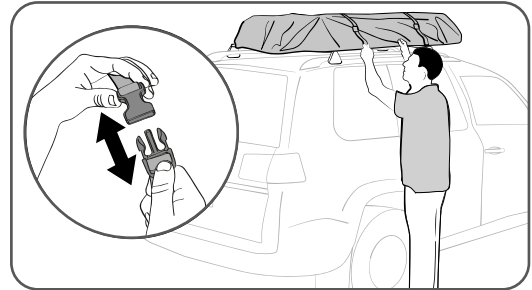
**IMPORTANT: BE SURE TO CHECK THE HARDWARE AFTER 10-20 MILES OF DRIVING TO ENSURE IT IS STILL SNUG. REPEAT PERIODICALLY.**

- The bolts included are M8 1.25 hex head bolts, if you want shorter or longer mounting bolts they are readily available at most hardware stores.

# Setting up your Meadowlark

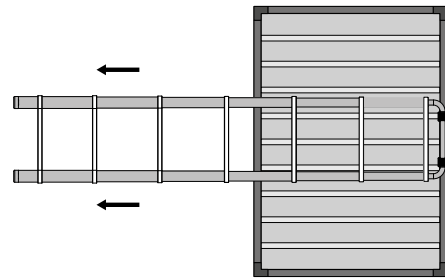
Step  
1

- Release all buckles around the cover then remove it.



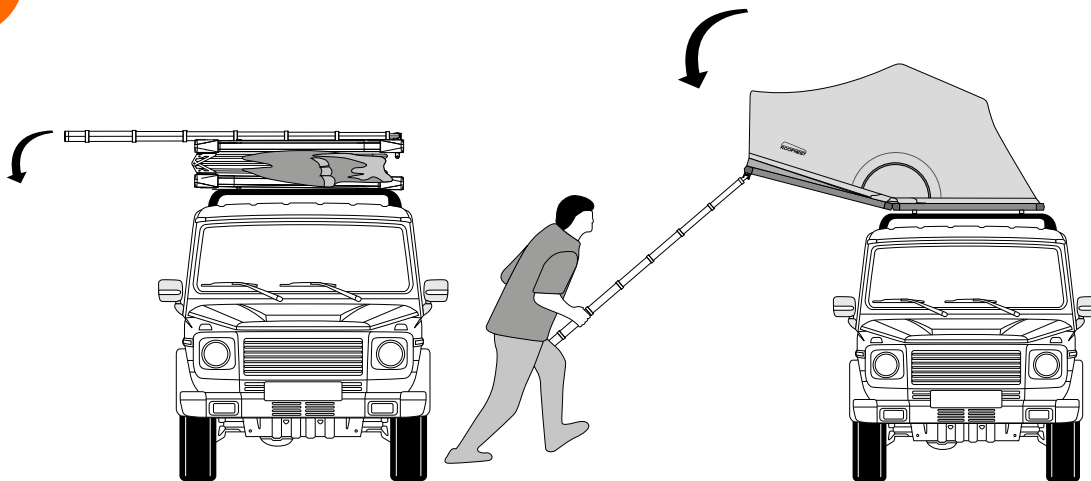
Step  
2

- Release the strap on the ladder, then extend the ladder.



Step  
3

- Hold the bottom of the ladder as a lever to press down and unfold the tent, then adjust the length of the ladder as needed.

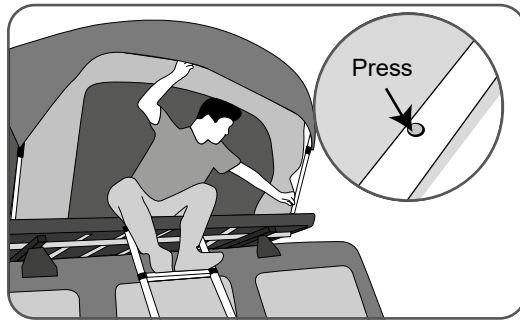


- When you extend the ladder, make sure to extend all the rungs fully so they are locked. If you need to shorten the ladder, only collapse the very upper rungs – do not collapse the lower rungs to shorten the ladder. This will ensure that the ladder is safely locked.
- Make sure you don't have any bounce in your ladder. If you do have bounce in the ladder, this means the ladder has not been properly locked, and you need to make certain that the rungs are locked starting from the bottom of the ladder and working up to the top of the ladder.



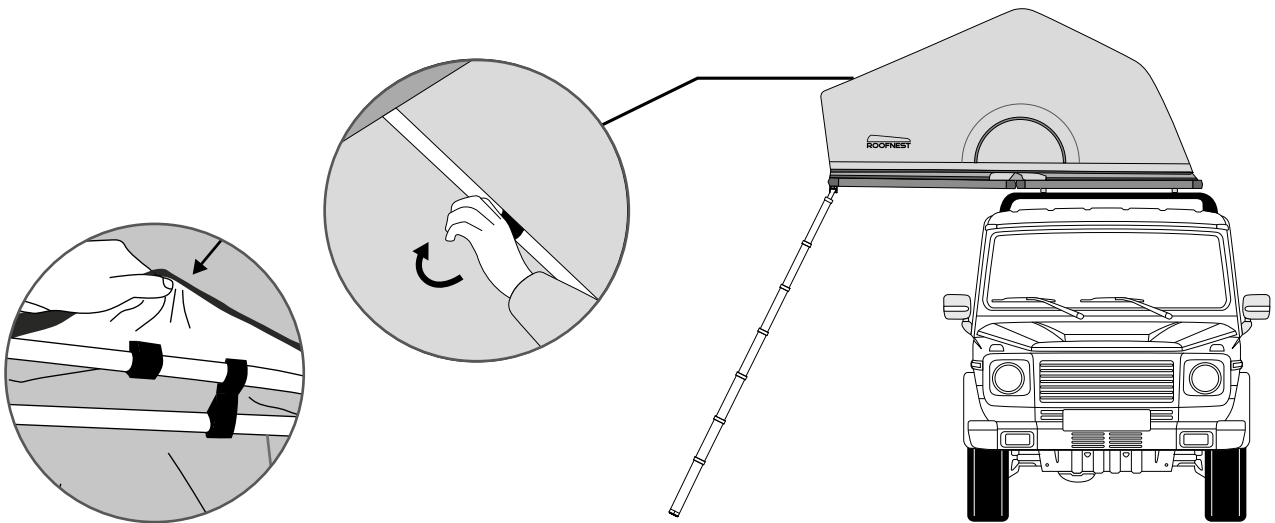
**Step  
4**

- Press the buttons on both sides of the U-bar and fully extend it until it clicks into place.



**Step  
5**

- Unhook the tension rod from the rainfly loop. Extend the tension rod and attach to the first aluminum roof support. Continue to extend until the rainfly material is tight and secure in place with the tension lock.



**Step  
6**

- Unhook the elastic ropes inside the tent and store out of the way.  
**Now you are ready to camp!**

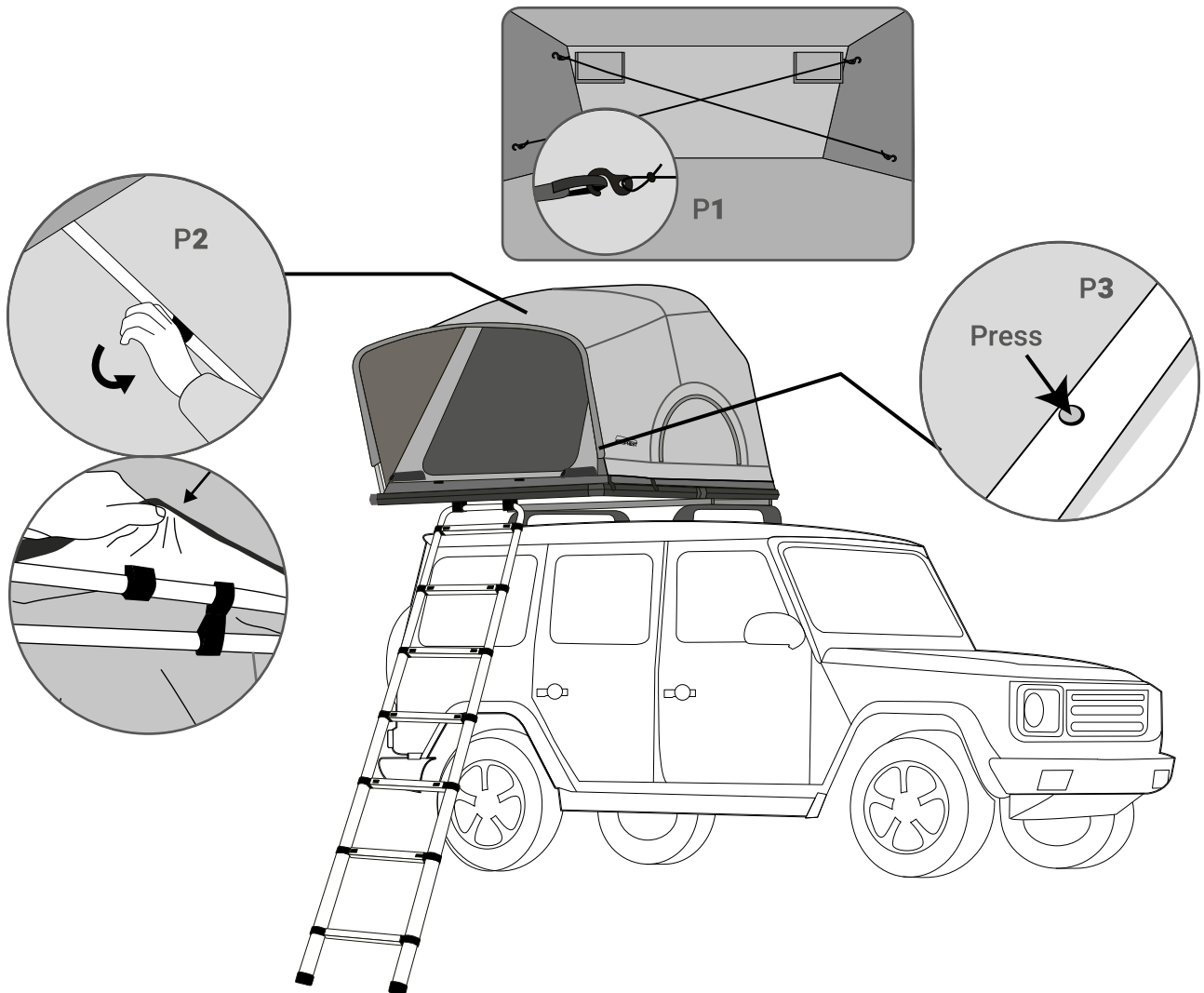
# Closing your Meadowlark

## Step 1

- Hook the elastic ropes inside the tent (as P1).
- Unlock the tension rod, collapse it, and secure to Rainfly Loop (as P2).
- Zip up windows half way (it is important to keep windows partially open so that air can escape the tent when packing it up).

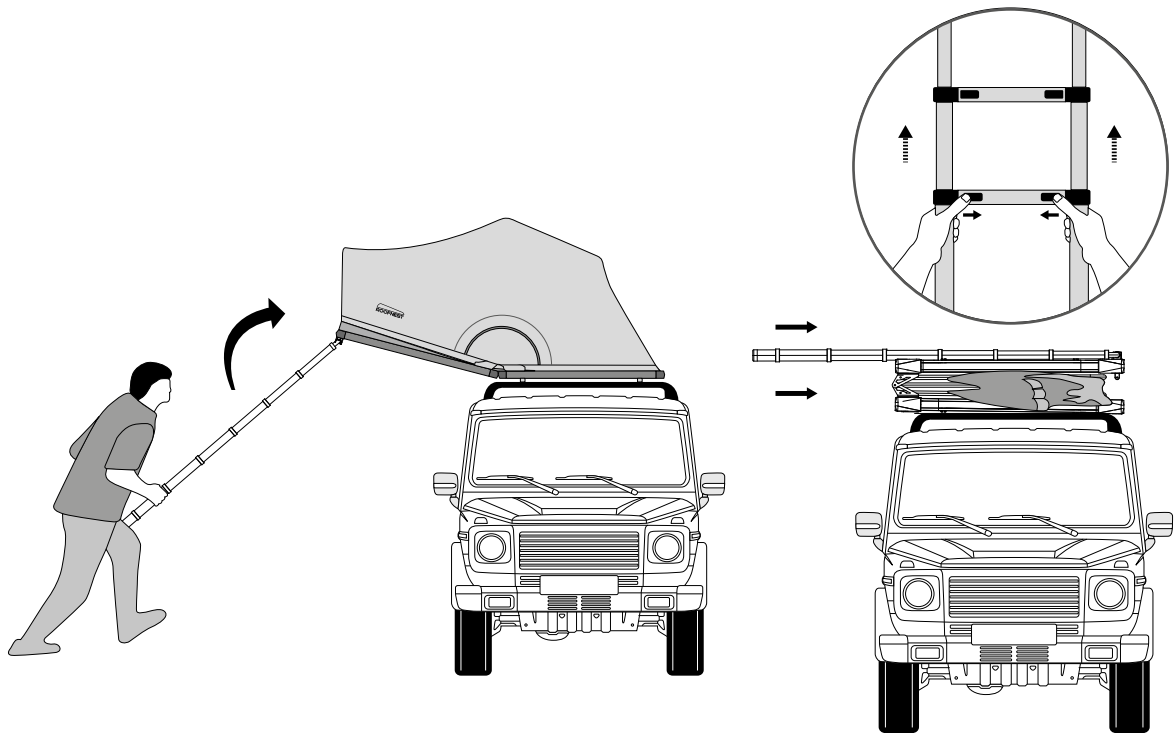
## Step 2

- Press the button on two sides of the rainfly loop to shorten (as P3).



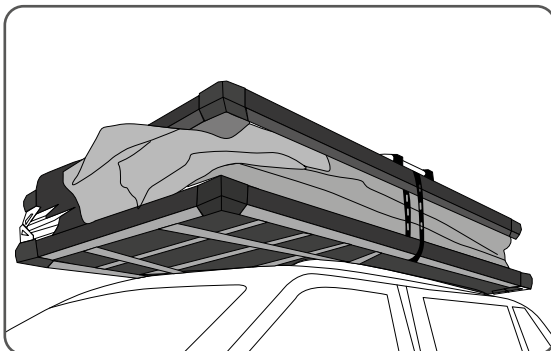
**Step  
3**

- Lift the ladder upward to fold the tent. Tuck in as much of the tent fabric as possible.
- Press the bottom button of the ladder and push forward to shorten the ladder.



**Step  
4**

- Secure the strap between the tent frame and the ladder crossbar, put the cover on the tent with the Roofnest Logos facing to the front and back of your vehicle. Fasten the buckles all around, starting at the corners and then the middle. Your tent is now closed and ready for adventure!



# Caring for your Roofnest


---

**Roofnest provides a 2-year limited warranty against defects on all its products to the original purchaser.**


Please read the following for more information on caring for and maintaining your Roofnest - it's the responsibility of the owner to properly care for and maintain your Roofnest to ensure warranty coverage.

## Maintenance Tips


---

1  After your epic adventures, we recommended opening up your Roofnest and letting it dry out completely.


---

2  Propping up or removing the mattress is also recommended as moisture can easily get trapped in the folds of your tent material and in the foam mattress.


---


3  Don't force zippers. If you find that one is sticking a bit, add some zipper lubricant. If a zipper is having trouble coming together, have someone help you by pulling the fabric together to reduce tension.


---


4  Though we use 304 stainless steel for the hardware in our tents, steel can still accumulate a bit of surface rust when subjected to the elements. This is normal and does not affect the strength or durability of the steel. You can easily clean off the surface rust with some isopropyl alcohol or WD-40.

## Storage

- 

1 Before storing your tent, make sure the tent is **100% dry**. Storing your Roofnest with any moisture inside can lead to mold and mildew growth. Opening your tent after your trip to air out and then wiping the tent down on the inside and outside will help.
- 

2 Remove and wash the mattress cover as needed. You may want to consider storing your mattress outside the tent, especially if you live in a humid climate.
- 

3 Your Roofnest can be stored on it's side, just make sure to avoid placing the tent on the latches. We recommend something under the tent like thick cardboard or a moving blanket.
- 

4 Storing a tent on your vehicle year-round is fine but you will want to open your tent regularly to make sure moisture does not accumulate, as the Roofnest is not air-tight and freeze-thaw cycles can allow moisture to get inside your tent when it's closed.



### Mildew/mold



- If not vented properly when sleeping in cold environments, condensation will always form inside any tent - this is normal and unavoidable. If left unattended, the moisture from condensation can lead to mold and/or mildew growth. [See our Condensation Guide](#) for tips on reducing condensation.
- If you discover mold or mildew on your Roofnest, we recommend using a VERY light bleach solution and a bit of scrubbing to remove the stains. If you prefer a natural alternative to bleach then white vinegar or a 3% hydrogen peroxide solution will also work well.



## Protection from the Elements - Winter and Summer Care

---



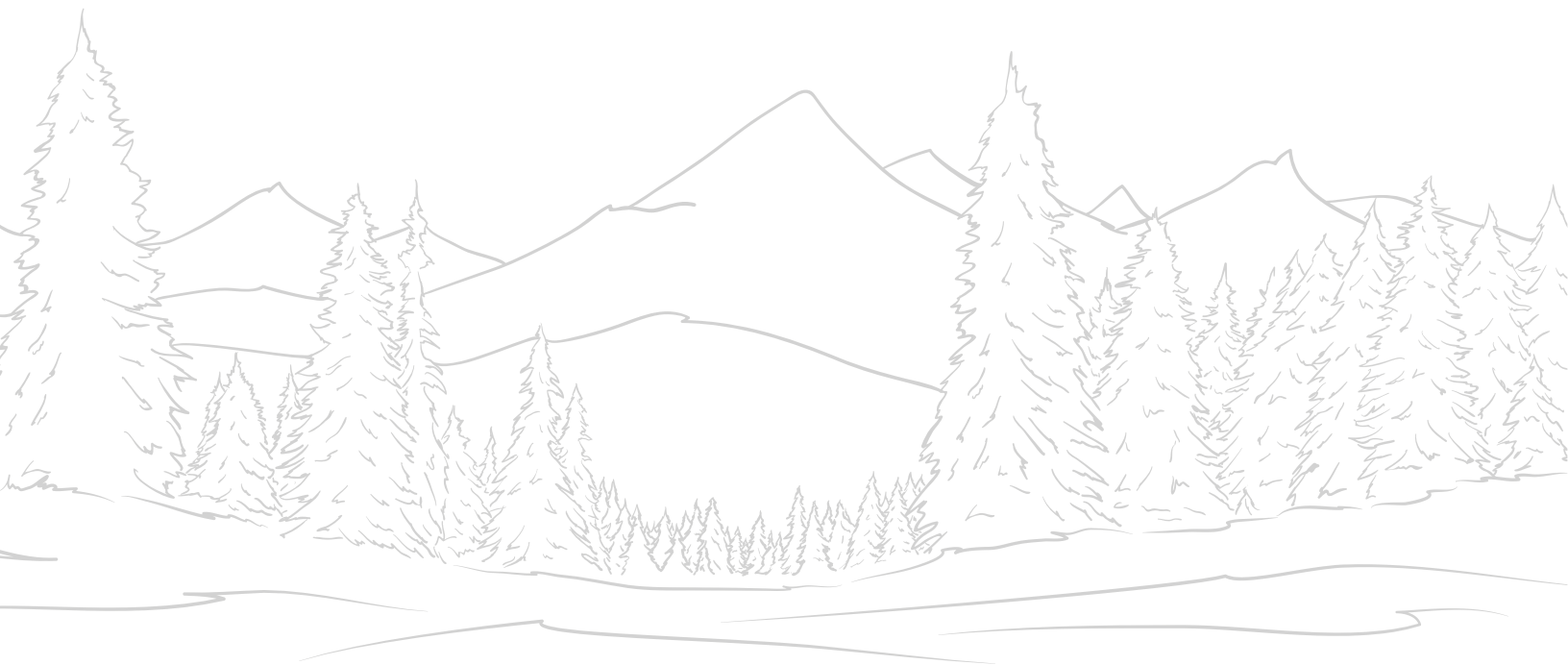
- **Winter:** Open your tent regularly, especially during the winter months, to make sure moisture does not accumulate, as the Roofnest is not air-tight.

Condensation can occur inside your tent during freeze/thaw cycles. If your tent is not opened to allow the moisture to dry, mold and mildew will occur. We recommend airing your tent out every 1-2 weeks.



- **Summer:** The Sun is harsh on all materials. The sun will cause the Tent Cover and Logo to fade over time.

The best option is to keep your tents stored out of the sun when not in use.



# Safety information

---



**NOTE: THE RECOMMENDED SPEED LIMIT WITH  
A MEADOWLARK ON YOUR VEHICLE IS 70 MPH.**

**Driving speed should always be adjusted according to the current driving conditions  
– please use caution on your first few drives with the Meadowlark on top and always  
remember to check the mounting hardware.**

- Remember to check your mounting hardware regularly.
- Do not use your Meadowlark if there is any visible damage to any part of the tent, instead contact us at [support@roofnest.com](mailto:support@roofnest.com) with any concerns.
- Understand that secured loads and incorrectly mounted roof bars can come loose during journeys and can cause serious accidents.
- Always consult your vehicle and crossbar manuals to ensure you are following their recommendations.
- Please note the following when using your Meadowlark:
  - Coming in contact with low entrances, low hanging branches, etc. can cause serious damage to your Meadowlark.
  - Wind noise may be generated when traveling with a roof top tent.
  - When using an automatic car-wash facility, your Meadowlark must first be removed.

# Thank you so much for being a Roofnest customer!

Please stay in touch and let us know where your travels take you – we love to get photos! We also have a great community online where customers post photos, share stories, tips, and good vibes – the Roofnest Flock – find it on Facebook by searching for “Roofnest Flock”.



e: [support@roofnest.com](mailto:support@roofnest.com)  
p: (303) 502-5406  
[roofnest.com](http://roofnest.com)

**Now go camping and enjoy!**  
**Share Your Adventures #Roofnest**

