



# **Litewing Awning Regular and XL**

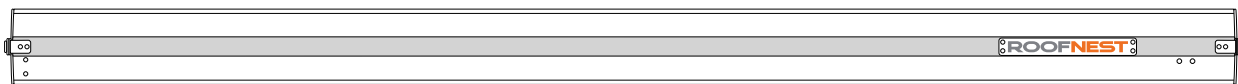
**Install and Setup Instructions**

---

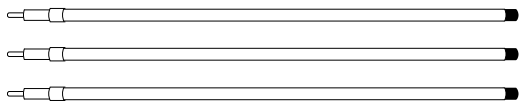
# Welcome to the Flock!

## Let's get your rig sorted.

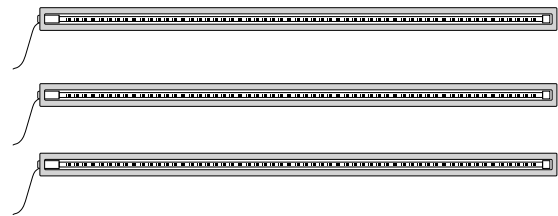
### What's in the box



• 1x Litewing Awning



• 3x Vertical Support Pole



• 3x LED Strand

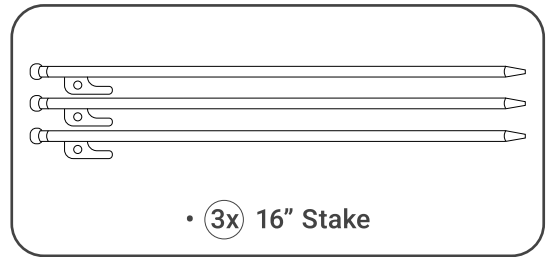
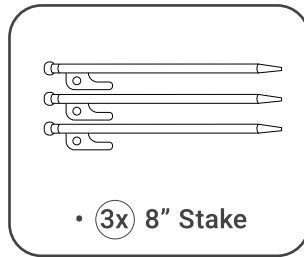
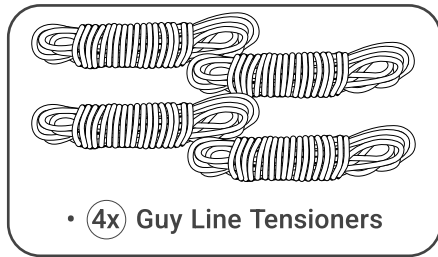
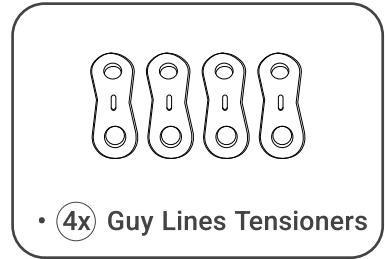
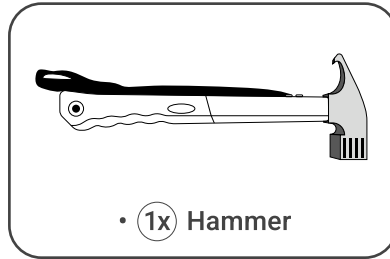
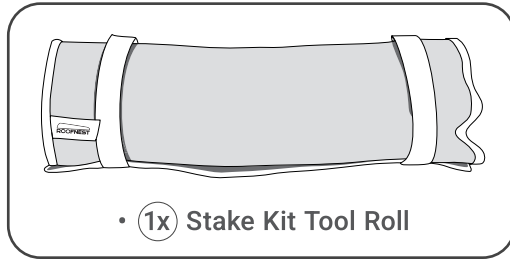


• 1x Tension Strap

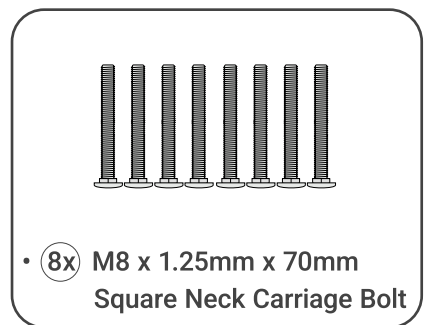
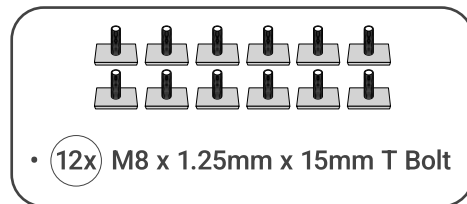
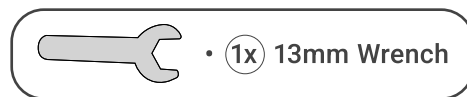
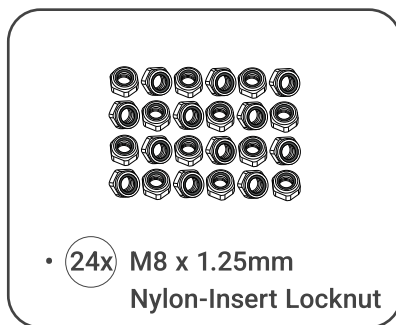
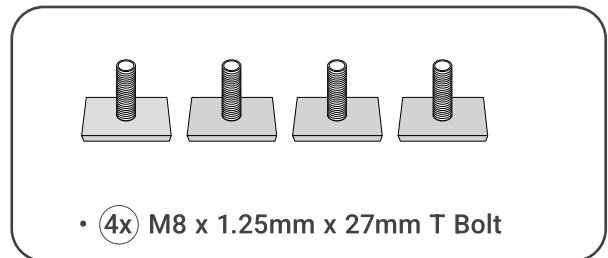
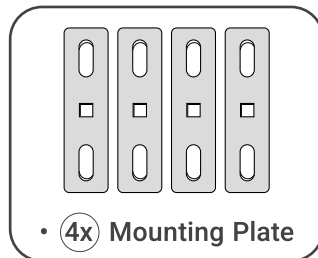
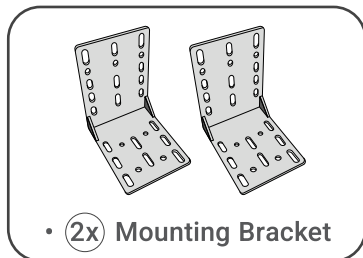


• 1x LED Power Cord (USB)

# Stake kit

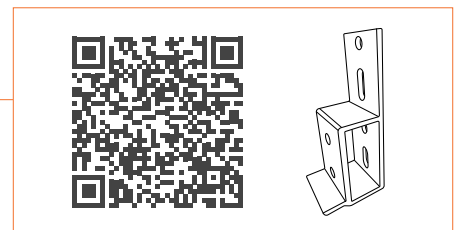


# Mounting kit



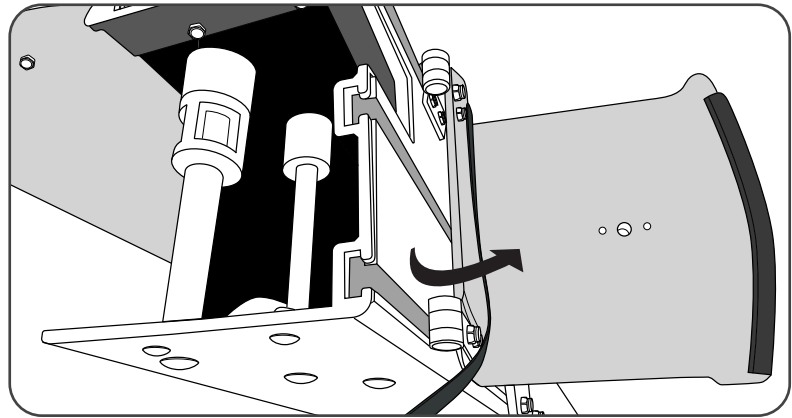
## Falcon 2 and Falcon Pro Awning Brackets (sold separately)

To attach the Litewing Awning directly to your Falcon 2 or Falcon Pro

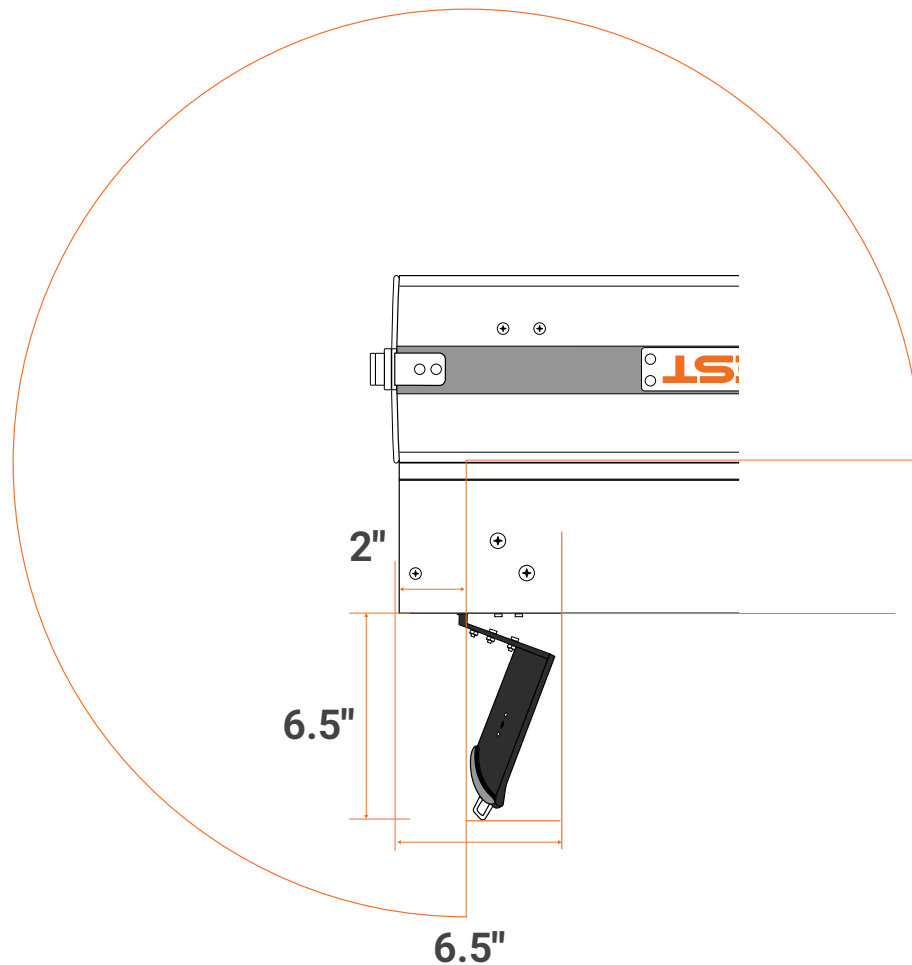


# Check clearances

- The Litewing Awning Hardcase needs 2" of clearance from any structure that would prevent the pivot door from opening all the way. The pivot door needs 6 ½" of side and back clearance to be able to open fully.



- We recommend the Mounting Brackets are a minimum of 30" apart with the rear bracket being within 18" of the pivot end of the awning.



# Mounting brackets

You have 2 options for mounting the brackets to your crossbars or platform rack.

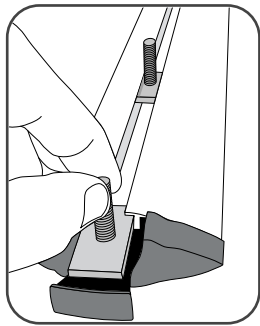
## Option 1

*Direct bolt option for platforms and crossbars with T-Slots.*

The Mounting Hardware Kit includes 4x M8 27MM wide T-Bolts.

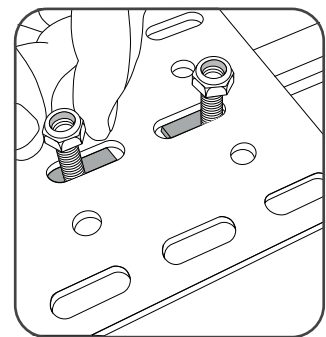
1

Slide the (2x) 27MM wide T-Bolt into a compatible T-Slot.



2

Place Mounting Bracket onto T-Bolts using the center holes of the short end of the bracket. Tighten bracket to platform/crossbar using (2x) M8 Locknuts. Make sure to use a minimum of 2 T-Bolts per bracket.



## Option 2

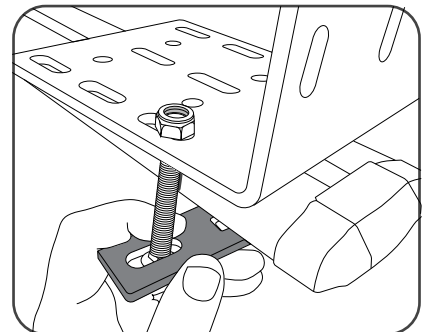
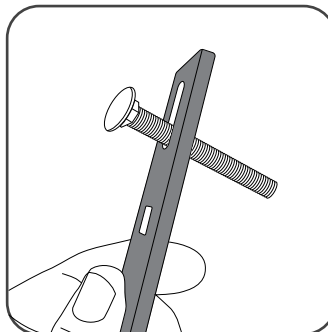
*Clamp to platforms or crossbars.*

(2x) Mounting Plates and (4x) M8 x 1.25mm x 70mm Square Neck Carriage Bolt with (4x) M8 Locknuts required per Mounting Bracket.

1

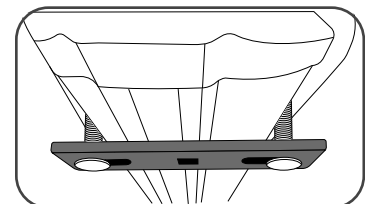
Insert M8 x 1.25mm x 70mm Square Neck Carriage Bolt into Mounting plate and through the front outside holes of Mounting Bracket.

Add (1x) M8 Locknut to bolt.

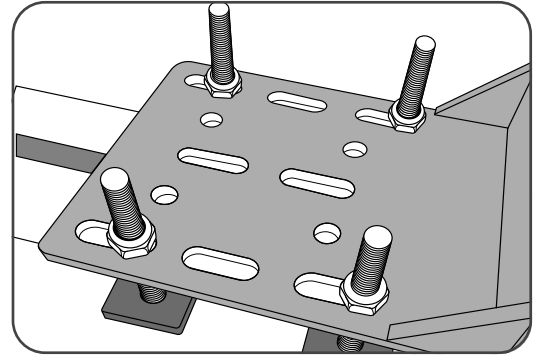
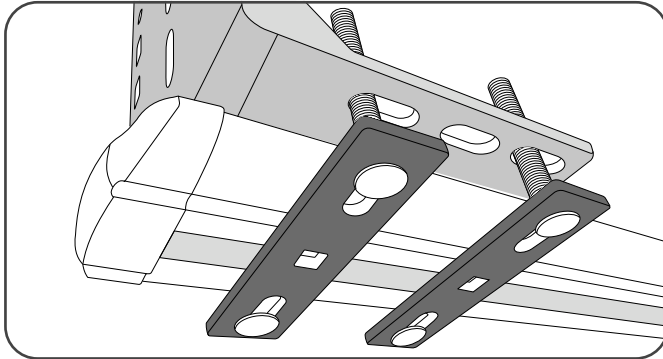


2

Insert Second M8 x 1.25mm x 70mm Square Neck Carriage Bolt through Mounting Plate and Mounting Bracket, with a bolt on each side of platform or crossbar. Add (1x) M8 Locknut to bolt. Tighten both Locknuts until the bracket is held in place but can still be moved with a little force.



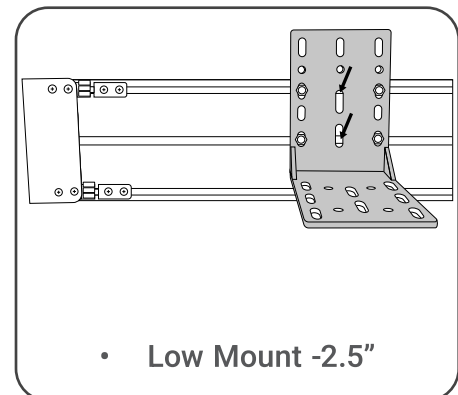
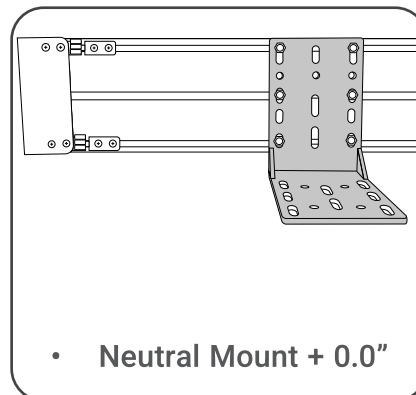
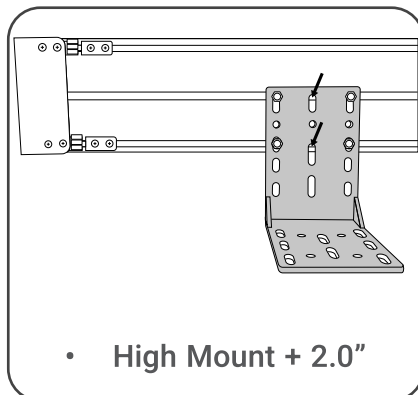
- 3 Add second Mounting Plate with (2x) M8 x 1.25mm x 70mm Square Neck Carriage Bolt and (2x) Locknuts, using the slots towards the back of the bracket. Tighten both Locknuts until the bracket is held in place but can still be moved with a little force.



- 4 Repeat Steps 1 through 3 for the other Mounting Bracket and plates. Wait to fully tighten brackets to platform/crossbars until the awning is mounted.

## Litewing awning height

- The Litewing Awning can be mounted in three different positions, High, Neutral, and Low, depending on your rig setup or preference.



# Mounting the awning



- Check clearances and attach the Mounting Brackets to the platform/crossbars before attaching the awning to the brackets. Decide which height the Litewing Awning will be attached to the Mounting Bracket, then attach accordingly.

## Step 1

- Slide (12x) M8 x 1.25mm x 15mm T Bolt into the T-Slots on the backside of the Litewing Awning on the end opposite of the pivot door.
  - a. For High Mount +2.0" - Slide (6x) M8 x 1.25mm x 15mm T Bolt into the middle T-Slot and (6x) M8 x 1.25mm x 15mm T Bolt into lower T-Slot. Slide 3 in each slot to each end of the Litewing Awning.
  - b. For Neutral Mount +0.0" - Slide (4x) M8 x 1.25mm x 15mm T Bolt into the upper T-Slot, (4x) M8 x 1.25mm x 15mm T Bolt into the middle T-Slot and (4x) M8 x 1.25mm x 15mm T Bolt into the lower T-Slot. Slide 2 in each slot to each end of the Litewing Awning.
  - c. For Low Mount -2.5" - Slide (6x) M8 x 1.25mm x 15mm T Bolt into the upper T-Slot and (6x) M8 x 1.25mm x 15mm T Bolt into the middle T-Slot. Slide 3 in each slot to each end of the Litewing Awning.

## Step 2

- With help from a friend, lift the Litewing Awning and align the bolts in the T-Slots with the corresponding holes in the Mounting Brackets. Once all bolts are aligned and inserted through the Mounting Bracket, add (12x) Locknuts and tighten.

## Step 3

- Check clearance for the pivot door and also any other items that are mounted to the platform or crossbars.

## Step 4

- Once all the Litewing Awning T-Bolts are tightened, tighten the bolts used to attach the Mounting Brackets to the platform/crossbars.



**IMPORTANT: BE SURE TO CHECK THE HARDWARE AFTER 10-20 MILES OF DRIVING TO ENSURE IT IS STILL SNUG. REPEAT PERIODICALLY.**

# Setting up your Roofnest Litewing Awning

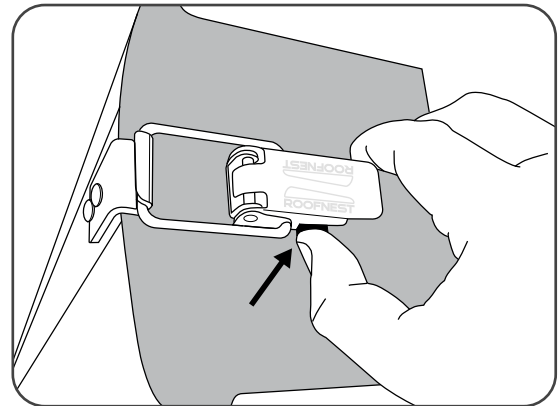
- Before you start setting up your Litewing Awning, make sure you have the following items that came with your awning: (1x) Tension Strap and Buckle, (3x) LED Strands, (1x) Stake Kit Tool Roll.

⚠ Be careful in windy conditions - if it's windy, a second person is recommended.

## Step 1

- Opening the housing - There are two latches that hold the Litewing aluminum shell closed. To open, you need to press the release button and then pivot the latch open.

**DO NOT ATTEMPT TO OPEN LATCH WITHOUT PRESSING RELEASE BUTTON!**

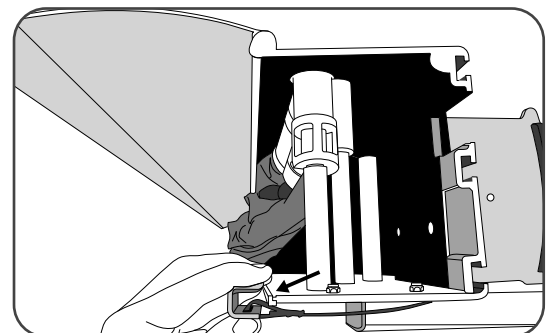
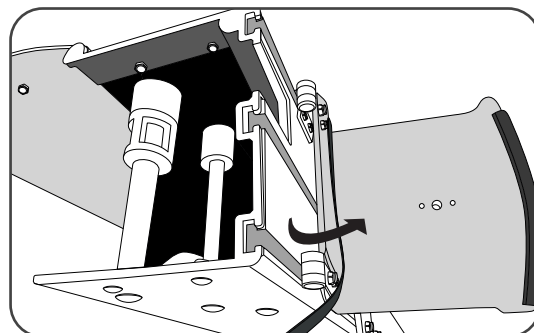


## Step 2

- Once both latches are open, lift the lid.

## Step 3

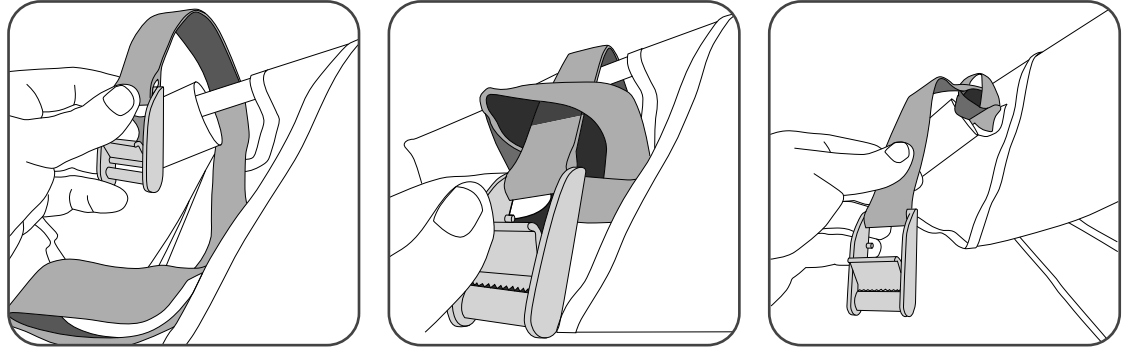
- With the lid open, open the pivot door, rotating it 180 degrees. Using the Lid Secure Strap, wrap the strap over the housing and secure the clip to the bottom edge of the housing. Make sure the strap goes around the awning housing, the lid open, and preventing the pivot door from being able to move.





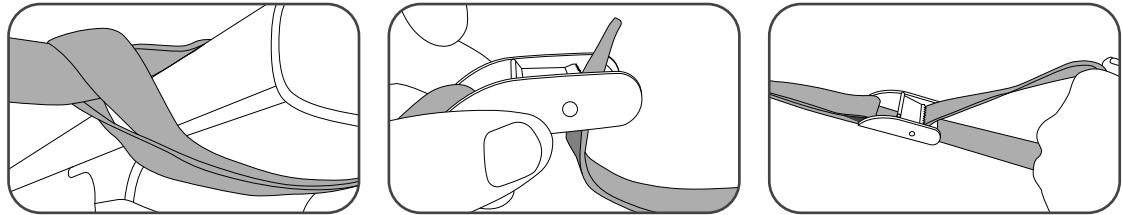
**Step 4**

- At the non-pivoting end of the awning, locate the thinnest radius arm. Swing the radius arm away from the housing and open a full 270 degrees. Do not worry about securing this first radius arm at this stage. Using the Tension Strap Buckle, pass the loop through one of the openings (whichever opening lines up best with where you are going to secure the Tension Strap). Now, pass the buckle through the loop in the strap. Pull tight to secure it to the radius arm.



**Step 5**

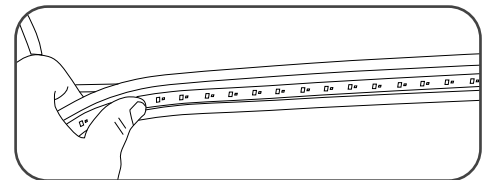
- Attach the Loop Strap to your vehicle on the opposite side of the Litewing Awning and pass the free end through the Cam Buckle of the Tension Strap. Pull tight to set up the awning.



## Litewing lighting

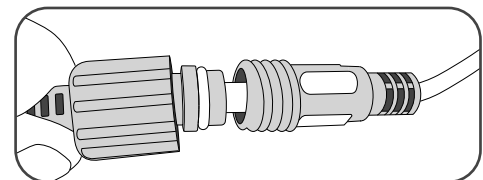
**Step 1**

- Attach (3x) LED Strands using the attached velcro. The cable ends should be closest to the pivot point.



**Step 2**

- Connecting the USB Power Cable to the LED's using the Twist Lock Connectors.



The USB power supply needs to be rated for 2 amp output or higher for the LEDs to function properly. If a USB power supply is not rated for 2 amps, it can cause the LEDs to not function correctly.

# To deploy the Litewing support poles

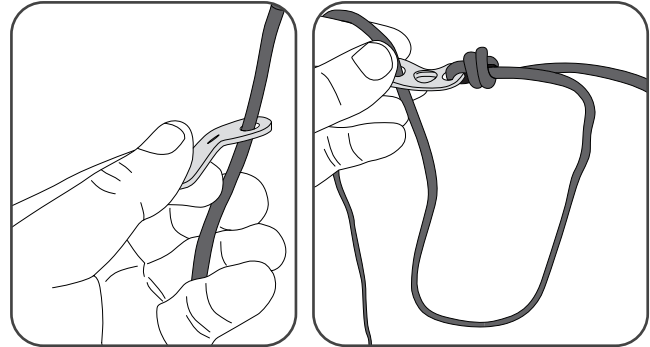
Under most conditions the Litewing Support Poles are not necessary, but during high winds, or if you are leaving the Litewing up for a long period of time, then we recommend utilizing these supports.

## Step 1

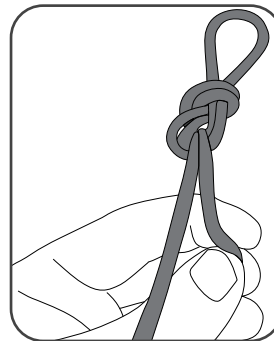
- Inside the Stake Kit Tool Roll there are Guy Lines and Guy Line Tensioners. Guy Lines are needed when using the support poles.

## Step 2

- Prepare the Guy Lines (3x).
  - a. Insert the Guy Line through one of the holes in the Guy Line Tensioner. Create a loop and tie the end off to the remaining Hole. An overhand knot or half hitch works well.



- b. In the opposite end of the Guy Line, tie a loop. A figure 8 knot works well.

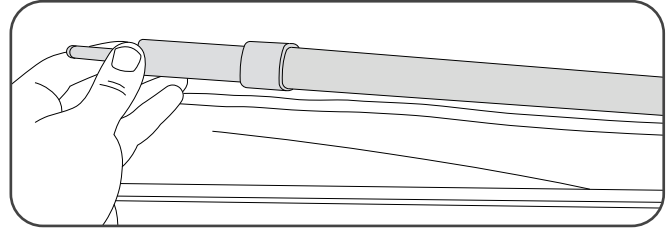


- c. Repeat this process, preparing two more sets of Guy Lines and Guy Line Tensioners. Set these aside.

**⚠ There is an extra Guy Line and Tensioner in the Stake Tool Kit Roll that you may choose to use, but is not necessary for normal use.**

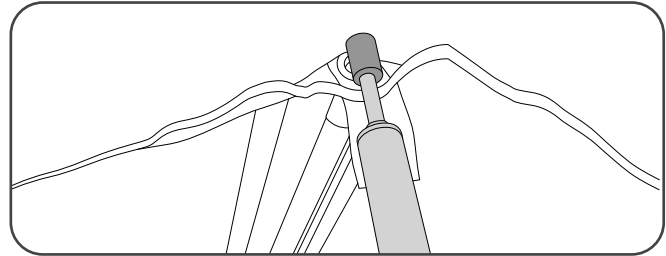
Step  
3

- Remove (3x) Support Poles from the storage pouch inside the Litewing housing.



Step  
4

- Adjust the telescopic legs (twist to adjust the length) to your desired height and insert the post into the ends of the radius arms.



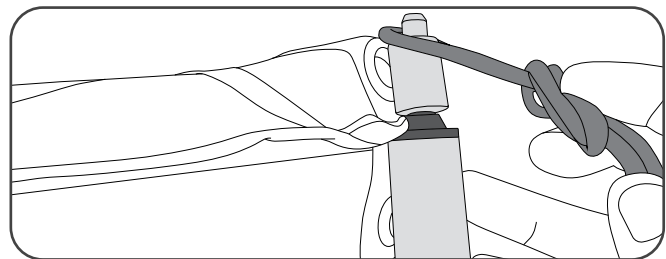
Have the Support Poles slightly lower than the Litewing Awning to prevent wind from catching the material and to provide drainage away from the vehicle in rainy conditions.

Step  
5

- Remove (3x) Stakes from the Stake Kit Tool Roll and also the Hammer.

Step  
6

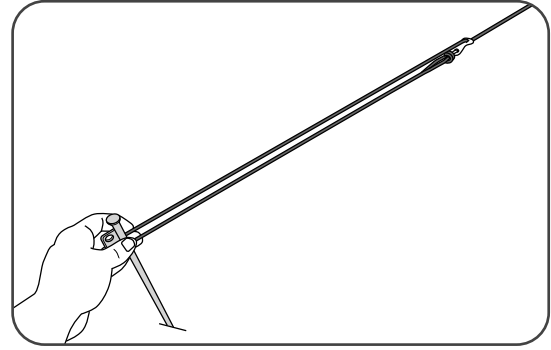
- Place the loop end of the Guy Lines over the radius arm ends.



The Guy Lines should follow the same direction the radius arms are pointing relative to the pivot point.

**Step  
7**

- Stretch the Guy Line out to see where to drive the stake into the ground.

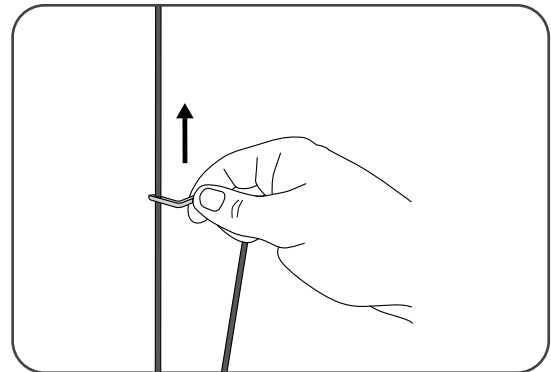
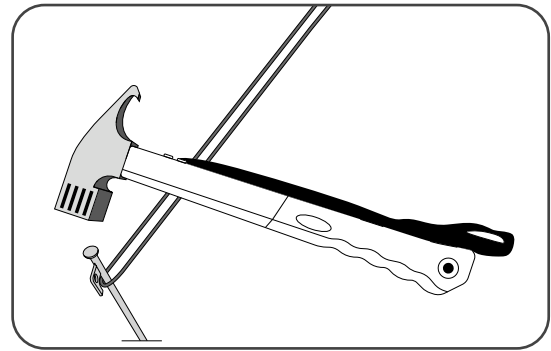


**Step  
8**

- Using the Hammer, drive the stake into the ground at about a 45 degree angle, leaning away from the Litewing Awning.

Pull the Guy Line tight by sliding the Tensioner towards the Litewing Awning.

Repeat this process for the remaining 2 Support Poles and Guy Lines.



The Guy Lines should be checked regularly in windy conditions to make sure they are secure.

**⚠ It is not recommended to leave the Litewing deployed in high wind environments or with heavy snow.**

# Removing and storing Support Poles and Guy Lines

---



Step  
1

- Release the tension on the Guy Line by sliding the Guy Line Tensioner away from the Litewing Awning. Once the Guy Line is loose, use the Guy Line to pull the stake out of the ground.

Step  
2

- Remove the Guy Line loop from the radius arm end and store in the Guy Line and stake in the Stake Tool Kit Roll.

Step  
3

- Repeat steps 1 and 2 for the remaining Guy Lines and stakes.



The knots in the Guy Lines can be left tied for future use.

Step  
4

- Twist the Support Poles to unlock and collapse down. Collapse and collect all three Support Poles.

Step  
5

- Store Support Poles in the Zippered Pouch inside the Litewing housing.

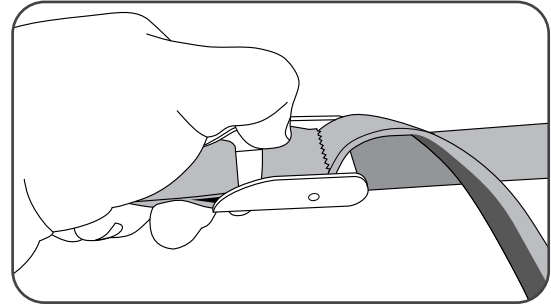
# Closing the Litewing Awning

## Step 1

- Disconnect the LED Power cords from the LEDs and store in a safe place.
  - a. The LEDs do not need to be removed from the Litewing Awning when stored.

## Step 2

- Loosen the Tension strap by pressing the Cam Buckle. Remove the Loop Strap from the vehicle and store in a safe place.
  - a. The Loop Buckle does not need to be removed from the Litewing Awning when stored.

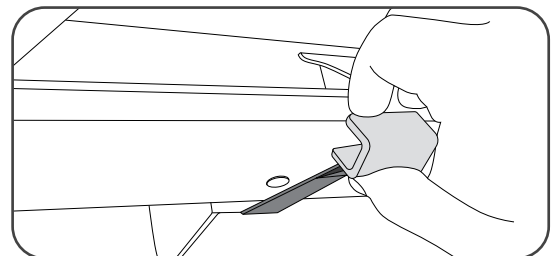


## Step 3

- Rotate the radius arms back into the housing. Do not worry about storing the material yet.

## Step 4

- Unhook the Support Strap on the pivot end and loop back over the housing.



## Step 5

- Roll/fold the awning material, and press the radius arms into the housing.

## Step 6

- Close the lid, making sure no material is trapped between the housing and lid. Make sure the Support Strap is also tucked inside the housing.

## Step 7

- Once the housing lid is closed, rotate the pivot door closed and close both end latches.

 Be sure to press the lock in while closing the latch to prevent damage to the locking mechanism.

# Safety information

---



**NOTE: THE RECOMMENDED SPEED LIMIT WITH  
A LITEWING AWNING ON YOUR VEHICLE IS 70 MPH.**

**Driving speed should always be adjusted according to the current driving conditions  
– please use caution on your first few drives with the Litewing Awning on top and  
always remember to check the mounting hardware.**

- Remember to check your mounting hardware regularly.
- Do not use your Litewing Awning if there is any visible damage to any part of the awning, instead contact us at [support@roofnest.com](mailto:support@roofnest.com) with any concerns.
- Understand that secured loads and incorrectly mounted roof bars can come loose during journeys and can cause serious accidents.
- Always consult your vehicle and crossbar manuals to ensure you are following their recommendations.
- Please note the following when using your Litewing Awning:
  - Coming in contact with low entrances, low hanging branches, etc. can cause serious damage to your Litewing Awning.
  - Wind noise may be generated when traveling with the Litewing Awning.
  - When using an automatic car-wash facility, your Litewing Awning must first be removed.

# Thank you so much for being a Roofnest customer!

Please stay in touch and let us know where your travels take you – we love to get photos! We also have a great community online where customers post photos, share stories, tips, and good vibes – the Roofnest Flock – find it on Facebook by searching for “Roofnest Flock”.



e: [support@roofnest.com](mailto:support@roofnest.com)

p: (303) 502-5406

[roofnest.com](http://roofnest.com)

**Now go camping and enjoy!**

**Share Your Adventures #Roofnest**

