

Roofnest Falcon 3 EVO

Install and Setup Instructions



Welcome To The Flock!

Let's Get Your Rig Sorted.

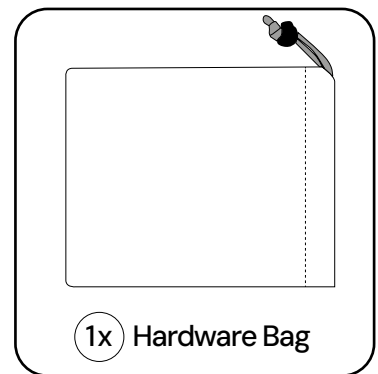
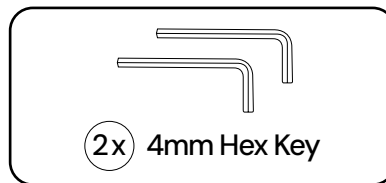
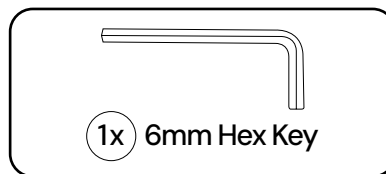
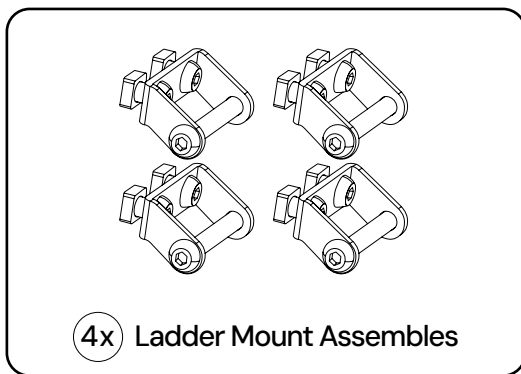
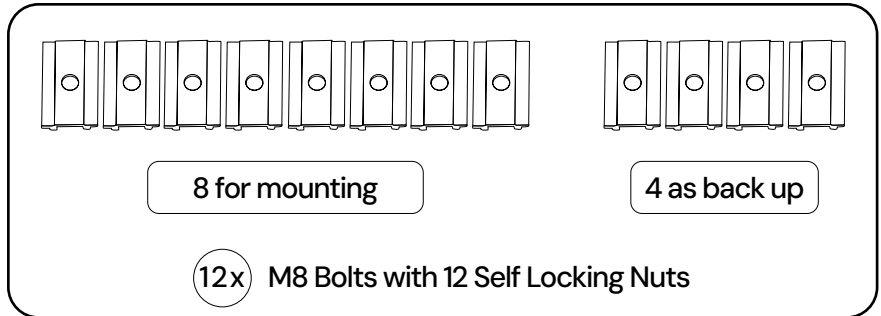
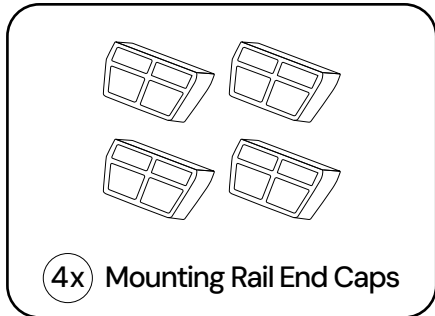
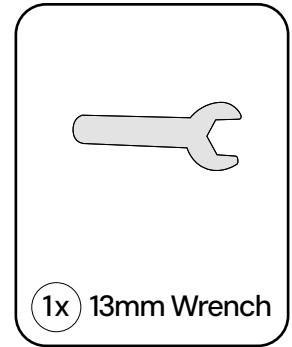
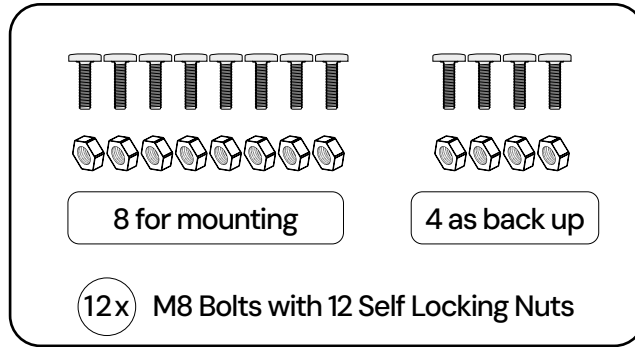
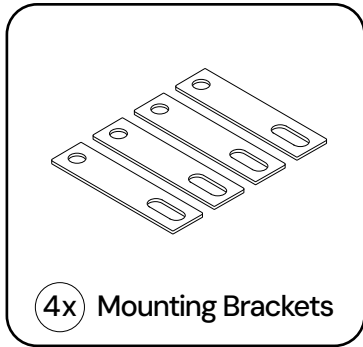
A Note About Crossbars and Roof Racks

- Mounting the Falcon 3 EVO requires two crossbars spaced **between 30" and 50"** apart with enough clearance to install the mounting hardware that comes with your tent.
- On some vehicles, the stock crossbars are too close to the roof to install the mounting hardware. In these cases, after-market crossbars are required.
 - *etrailer.com* is a great resource to find the best crossbars for your vehicle, or *check out this article for more information.*

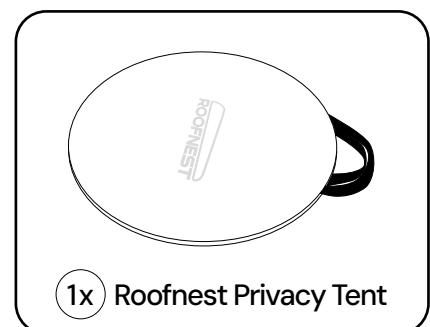
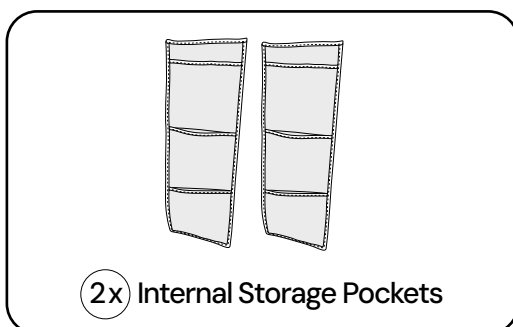
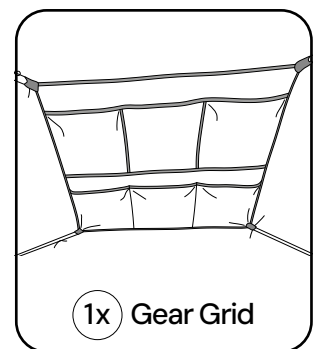
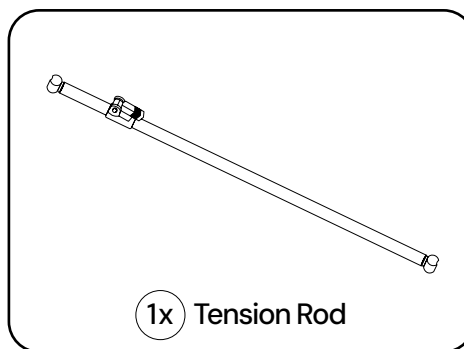
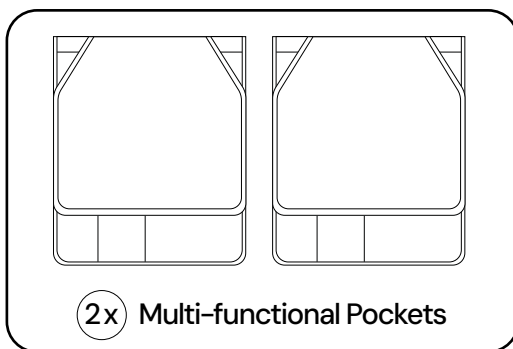


- Your crossbars must be rated to support the weight of the tent by itself. Crossbars have a weight rating that refers to the dynamic load (when your vehicle is moving at highway speeds) and can support 5-7 times this dynamic load rating when your car is parked.
- Platform racks can be used, but are not necessary and in some cases make installation trickier. Please refer to the platform rack installation guide on our website for more information.

Mounting Kit



Parts List



Unboxing Your New Falcon 3 EVO



NOTE: This is at least a two-person job. The ladder, mounting kit, and other items are inside the tent.

-
- STEP 1 | Remove your new Falcon 3 EVO from the pallet it was shipped on. Lay the box flat with the lid pointing up.
-
- STEP 2 | Cut the banding straps securing the box closed.
-
- STEP 3 | Remove lid and packing material and lay the lid with the print side down.
-
- STEP 4 | Remove tent from box and lay flat with the bottom down on top of the box lid.
-
- STEP 5 | **Inspect the tent carefully for any shipping damage.** Top and bottom and all the sides.
-
- STEP 6 | Open the tent. Remove ladder, mounting kit and additional accessories. Inspect for any damage inside the tent.



- Do not discard pallet, box, or packing material until you have thoroughly inspected the tent. Tents cannot be returned without the original shipping materials.
- The side ladder mounts are not mounted and are inside the mounting kit.
- The latches, handle, and rear ladder mounts come pre-attached for your convenience but can be relocated almost anywhere along the accessory channel to fit your preferences. **Latches must be kept at the rear of the tent.**



Wait to install ladder mounts until the tent is mounted. This will allow you to place them in the ideal location.

Falcon 3 EVO Ladder

-
- STEP 1 | When you extend the ladder, make sure to extend all the rungs fully so they are locked. If you need to shorten the ladder, only collapse the very upper rungs – do not collapse the lower rungs to shorten the ladder. This will ensure that the ladder is safely locked.
-
- STEP 2 | Make sure you don't have any bounce in your ladder. If you do have bounce in the ladder, this means the ladder has not been properly locked, and you need to make certain that the rungs are locked starting from the bottom of the ladder and working up to the top of the ladder.

Tent Installation Instructions

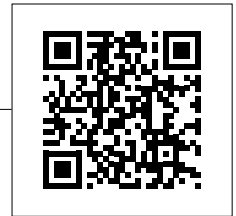


NOTE: This is at least a two-person job

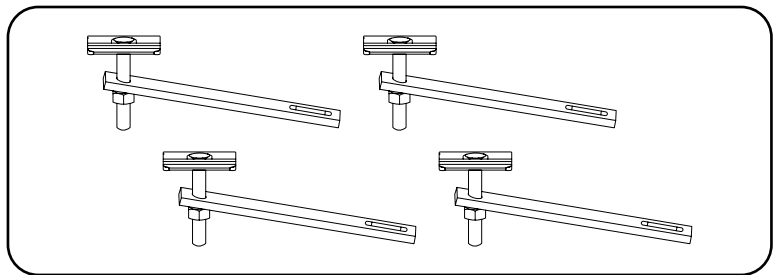
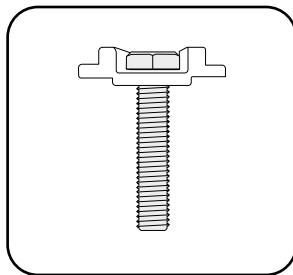
STEP 1 | The hinges should face the front of your vehicle and the latches should be in the rear. Lift the tent onto your crossbars.

STEP 2 | Make sure the tent is positioned approximately where you want it. *For SUVs and hatchbacks, open your liftgate and push the tent back until it just misses touching the open liftgate. This way you can be sure the tent won't interfere with your liftgate's operation.*

STEP 3 | Prepare your mounting sets.
Here is a helpful video from one of our customers.



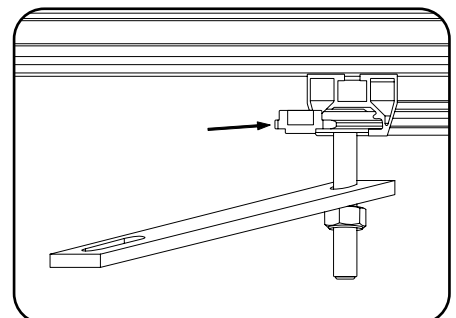
- a. Insert an M8 BOLT into the SLIDER PLATE (the bolt head should nest between the rails) and then attach a MOUNTING BRACKET. Then attach an M8 Locknut and tighten until it is about half way. **Repeat three more times.**



- b. Prepare four M8 BOLTS and Slider Plate sets by inserting an M8 BOLT into each mounting plate.

STEP 4 | Slide each Mounting Bracket set into the mounting track, followed by an M8 BOLT and plate set.

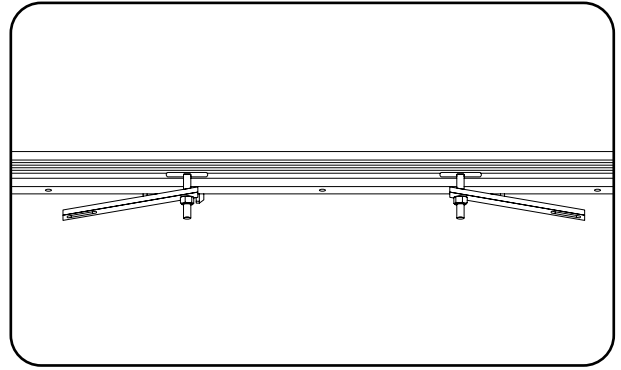
Repeat for each corner of the tent.



STEP 5 | Start at one side of the tent and with a partner lift the tent, tipping it towards the opposite side. Slide the mounting set to the inside of your crossbar.

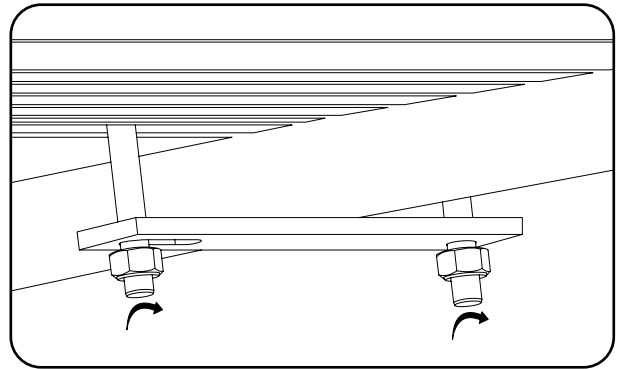
Repeat for each corner.

Your mounting bracket sets should be between the vehicle crossbars.



STEP 6 | Connect the mounting sets together with the MOUNTING BRACKET below your crossbar with a bolt on each side. Inserting the dangling M8 BOLT through the MOUNTING BRACKET and finger-tighten the M8 LOCKNUT onto the M8 BOLT.

Repeat for all four corners.



STEP 7 | Before you do a final tightening, position your tent exactly where you want it, then, firmly tighten all the nuts. The bottom brackets around the crossbars will flex when your hardware is properly tightened.



NOTE: Do not use power tools to tighten the nuts on the bolts. Stainless Steel can easily gall and weld itself together. If you feel a sudden increase in resistance while tightening a bolt, remove and discard the nut and bolt and use one of the extra bolts supplied.



- Apply anti-seize compound to the threads of the bolts to minimize galling and make it easier to reuse the bolts if the tent is going to be removed and reinstalled multiple times per season.

STEP 8 | Place the Mounting Rail End Caps on each end of the mounting rails.

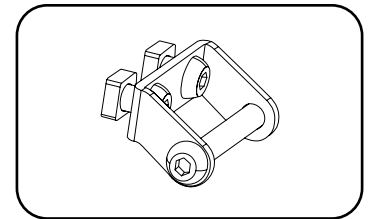


IMPORTANT: Be sure to check the hardware after 10–20 miles of driving to ensure it is still snug. **Repeat periodically.**

The bolts included are M8 1.25 hex head bolts, if you want shorter or longer mounting bolts they are readily available at most hardware stores.

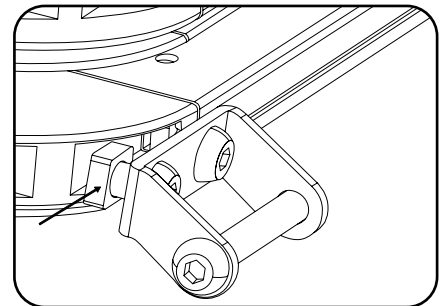
STEP 9 | Install the side ladder mounts if desired.

Make sure the Ladder mounts have their cross bolt and 2 mounting bolts with square nuts attached.



STEP 10 | Slide ladder mounts into the bottom rail.

The mounts can be pointed up or down.



NOTE: Sealant can make inserting the bolt and t-nuts into the channel a little difficult. Once the ladder mount is started in the channel, hitting the side of the ladder mount lightly with a hammer will help slide the t-nut past the sealant.

STEP 11 | Using the 5mm hex wrench, tighten the 2 mounting bolts for the ladder mount. Repeat steps 9 and 10 for the remaining 3 ladder mounts. Remember 2 ladder mounts per side.

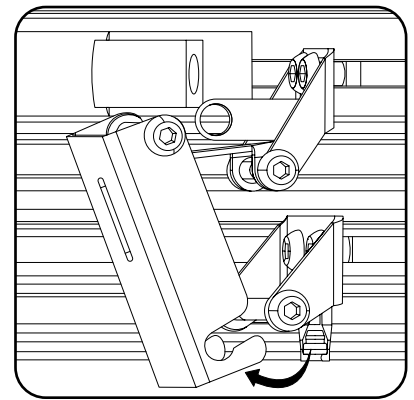
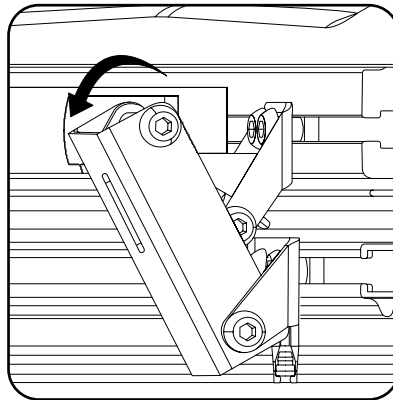


Once you determine where you want your ladder mounts to go, use the ladder to set the space between the ladder mounts before tightening.

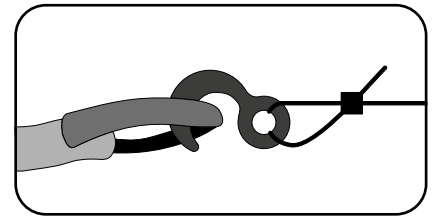
Check the bolts on the outside of the tent to ensure they did not loosen during shipping. Use the 5mm and 2x 4mm hex wrenches if any bolts are loose.

Setting up your Falcon 3 EVO

STEP 1 | Open the latches by pulling the top of the latch towards you. Once both latches are open and unlatches, push handles up.



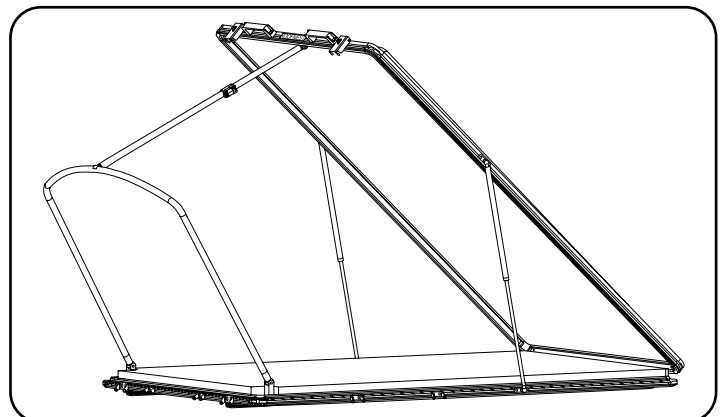
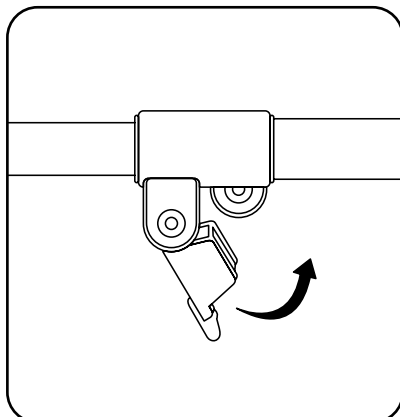
STEP 2 | Once the top shell is fully open, climb up your ladder and disconnect the bungee inside the tent. One end can remain attached and the bungee can be moved out of the way.



The tension of the bungee can be adjusted to help pull the tent material inside when closing. To increase the tension, untie one end of the bungee and retie to decrease the length.

STEP 3 | To fully open the Falcon 3 EVO, you fold the U-bar into place and secure it with the quick release tension rod from inside the tent.

Just clip the tension rod to the U-bar and then put the other end of the tension rod into the receiver in the tent's ceiling. Lock the length of the rod using the lever.

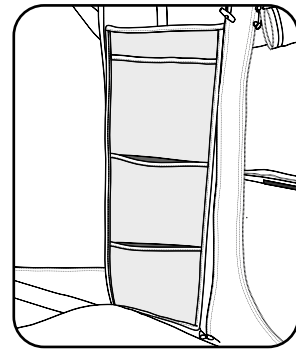


Now you are ready to camp!

Getting the Most Out of Your Falcon 3 EVO

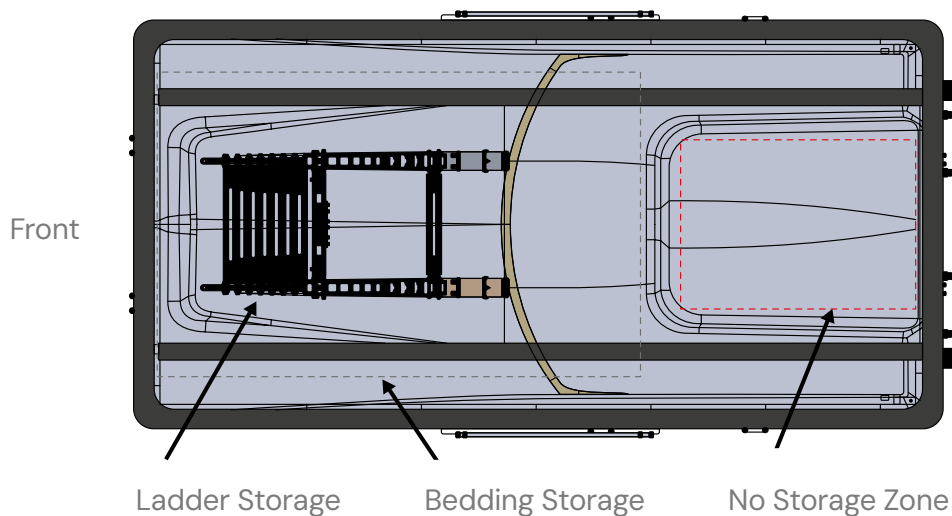
INTERNAL STORAGE POCKETS

The inner pockets near the front door can be used inside the tent or outside the tent if you prefer. Additional pockets can be purchased if you want storage pockets on both sides of your door.



INTERNAL STORAGE

Bedding and other soft items can be stored within the gray dashed lines.

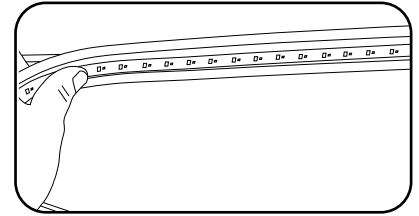


NOTE: Hard items need to have a layer of protection above them or the roof headliner runs the risk of being damaged. There is a maximum of 3" of height for hard items. To store the ladder inside the Falcon 3 EVO, the ladder should be centered in the tent and placed just in front of the u-bar when folded down. It should be placed inside its storage bag.

No items should be stored inside the red dashed lines. There is minimal clearance here and the headliner runs the risk of being damaged.

LEDs

Your Falcon 3 EVO includes 2 dimmable USB powered LEDs. All that is needed is a USB battery pack per LED.



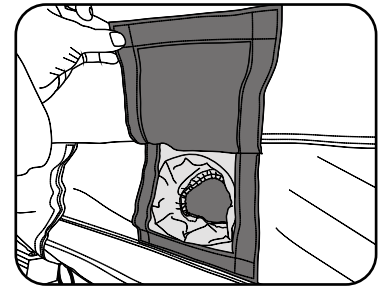
RAINFLY OPTIONS

If you desire to stargaze without looking through the Rainfly window, you can roll the rainfly up. Use the loops and toggles to secure the rainfly out of the way. Be sure to unroll the rainfly before storing the tent.

- The rainfly can also be completely removed by the 2 zippers located on the top shell. It is easiest to roll the rainfly up and stand up through the sunroof to be able to unzip the rainfly.

HVAC PORTS

If you desire adding heat or cooling to your tent, there are HVAC ports on each side of your tent. These are designed to secure to 3" to 4" piping. These ports can also be used to pass cords or other items into or out of your tent without interfering with your windows or door.



WINDOWS/DOORS

The side windows/doors are carefully designed to allow them to be opened with one zipper. The windows are designed to allow for privacy with the ability to open the inner window to different heights.

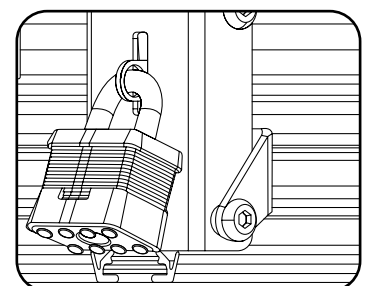
BLACKOUT TENT MATERIAL

Tent material with blackout coating allows you to sleep in well past sunrise.

- Minimal light can enter under the shell, through the corners. This is designed to allow air to escape when closing the tent.

PADLOCKS

Padlocks can be added to the latches to lock your tent closed. The latches are designed to accept padlocks with shackles between .25" (6mm) and .35" (9mm).

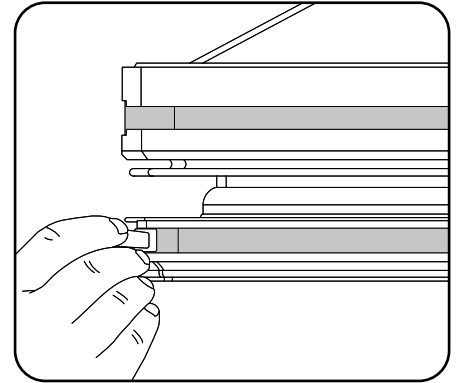


VENTS

Vents have been added to the top corners of the tent material for optimal airflow to minimize condensation.

FALCON EVO ACCESSORY CHANNELS AND HARDWARE

- The Falcon Evo has Accessory Channels on all four sides of the top and bottom shell, allowing you to attach anything to your Falcon Evo such as awnings, crossbars, etc.
- You can attach accessories to the channels using the rectangular nuts (m8 1.25 threads) or purchase M8 hex head bolts which slide directly into the channels by the bolt head.
- Weight per side is 100 lbs, not exceeding 25 per bolt. Position accessories so that the weight and placement of the accessories does not interfere with the ability of the struts to open the tent.



- Do Not Exceed 25 pounds per bolt.
- Do Not Exceed 25 inch pounds of rotational force per bolt.
- Do Not Exceed 50 pounds per foot of side channel, not exceeding 100 pounds total per side.
- Do Not Exceed 50 inch pounds of rotation force per foot of side channel, not exceeding 100 inch pounds of rotation force per side.

Closing Your Falcon 3 EVO

STEP 1 | Remove the tension rod and collapse the u-bar. The u-bar needs to lay flat on the mattress before proceeding.

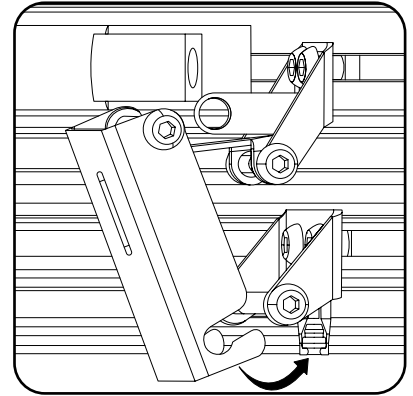
STEP 2 | Hook the elastic ropes inside the tent.

STEP 3 | Unzip the inner windows and close the mesh windows to allow air to escape.

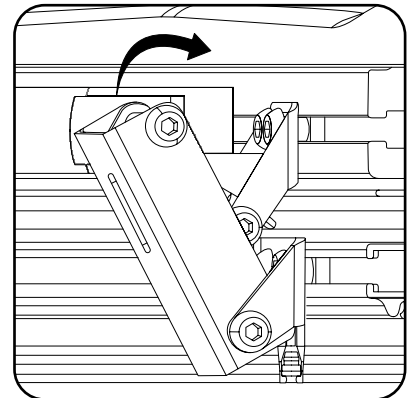
STEP 4 | Pull the black webbing strap towards you to fold down the shell.

STEP 5 | When the shell is almost closed, tuck all the tent material back under the shell as well as the black strap.

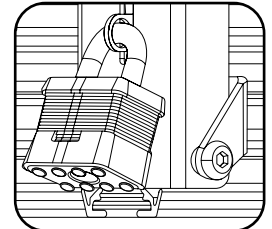
STEP 6 | Close the shell fully by closing the two latches. First hook bottom around cross bolt (make sure both sides of the tent are equally pulled down or else misalignment can occur)



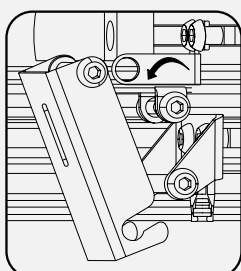
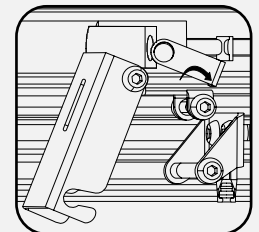
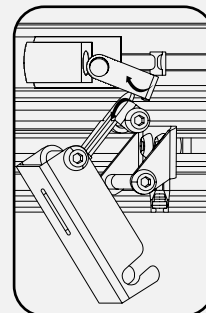
Second, push the top of the latch towards the tent.



Adding a padlock or carabiner to the look loop will prevent the latch from coming undone over rough terrain.



NOTE: The latch is designed to stop and not hang below the tent when open. If pulled down on, the lock loop may bend upward. This will prevent the latch from closing.



To correct this, hold the latch up so the connecting plate is level.

Bend the Lock loop down so it is also level. The latch will now function properly.

Caring For Your Roofnest

Roofnest provides a 2-year limited warranty against defects on all its products to the original purchaser.

Please read the following for more information on caring for and maintaining your Roofnest – it's the responsibility of the owner to properly care for and maintain your Roofnest to ensure warranty coverage.

Maintenance Tips



After your epic adventures, we recommended opening up your Roofnest and letting it dry out completely.



Propping up or removing the mattress is also recommended as moisture can easily get trapped in the folds of your tent material and in the foam mattress.



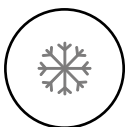
Don't force zippers. If you find that one is sticking a bit, add some zipper lubricant. If a zipper is having trouble coming together, have someone help you by pulling the fabric together to reduce tension.



Though we use 304 stainless steel for the hardware in our tents, steel can still accumulate a bit of surface rust when subjected to the elements. This is normal and does not affect the strength or durability of the steel. You can easily clean off the surface rust with some isopropyl alcohol or WD-40.

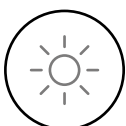
Protection from the Elements

– Winter and Summer Care



Winter: Open your tent regularly, especially during the winter months, to make sure moisture does not accumulate, as the Roofnest is not air-tight.

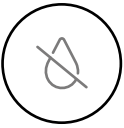
Condensation can occur inside your tent during freeze/thaw cycles. If your tent is not opened to allow the moisture to dry, mold and mildew will occur. We recommend airing your tent out every 1-2 weeks.



Summer: The Sun is harsh on all materials. The sun will cause the Tent Cover and Logo to fade over time.

The best option is to keep your tents stored out of the sun when not in use.

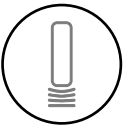
Storage



Before storing your tent, make sure the tent is 100% dry. Storing your Roofnest with any moisture inside can lead to mold and mildew growth. Opening your tent after your trip to air out and then wiping the tent down on the inside and outside will help.



Remove and wash the mattress cover as needed. You may want to consider storing your mattress outside the tent, especially if you live in a humid climate.



Your Roofnest can be stored on it's side, just make sure to avoid placing the tent on the latches. We recommend something under the tent like thick cardboard or a moving blanket.

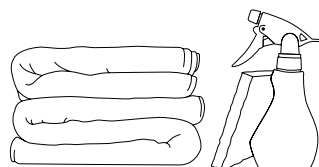


Storing a tent on your vehicle year-round is fine but you will want to open your tent regularly to make sure moisture does not accumulate, as the Roofnest is not air-tight and freeze-thaw cycles can allow moisture to get inside your tent when it's closed.

Mildew/mold

If not vented properly when sleeping in cold environments, condensation will always form inside any tent – this is normal and unavoidable. If left unattended, the moisture from condensation can lead to mold and/or mildew growth.

See our [Condensation Guide](#) for tips on reducing condensation.



If you discover mold or mildew on your Roofnest, we recommend using a VERY light bleach solution and a bit of scrubbing to remove the stains.

If you prefer a natural alternative to bleach then white vinegar or a 3% hydrogen peroxide solution will also work well.

Safety information



NOTE: The Recommended Speed Limit with a Falcon 3 EVO on Your Vehicle is 80 MPH.

Driving speed should always be adjusted according to the current driving conditions
– *please use caution on your first few drives with the Meadowlark on top and always remember to check the mounting hardware.*

- Remember to check your mounting hardware regularly.
- Do not use your Falcon 3 EVO if there is any visible damage to any part of the tent, instead contact us at support@roofnest.com with any concerns.
- Understand that secured loads and incorrectly mounted roof bars can come loose during journeys and can cause serious accidents.
- Always consult your vehicle and crossbar manuals to ensure you are following their recommendations.
- Please note the following when using your Falcon 3 EVO:
 - Coming in contact with low entrances, low hanging branches, etc. can cause serious damage to your Falcon 3 EVO.
 - Wind noise may be generated when traveling with a roof top tent.
 - When using an automatic car-wash facility, your Falcon 3 EVO must first be removed.

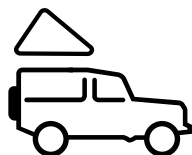
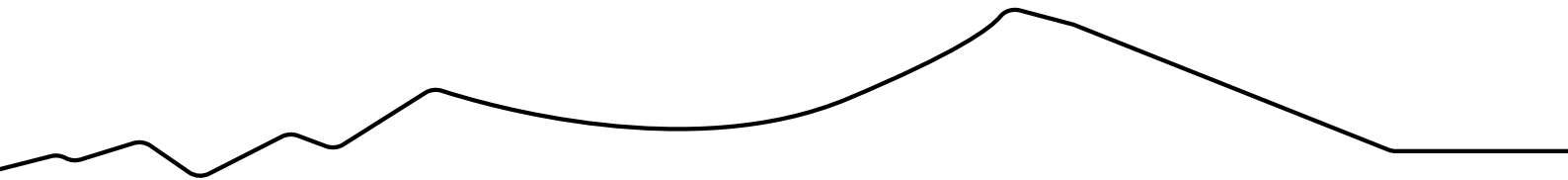
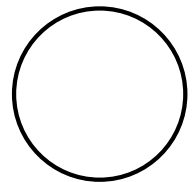
Thank You For Being a Roofnest Customer!



Please stay in touch and let us know where your travels take you – **we love to get photos!**

We also have a great community online where customers post photos, share stories, tips, and good vibes – the Roofnest Flock – find it on Facebook by searching for “Roofnest Flock”.

e: support@roofnest.com
p: (303) 502-5406
roofnest.com



Now Go Camping and Enjoy!

Share Your Adventures [#Roofnest](https://www.facebook.com/roofnest)