



Roofnest Condor 2 and Condor Overland 2 Install and Setup Instructions

Welcome to the Flock!

Let's get your rig sorted.

A Note About Crossbars and Roof Racks

- Mounting a Roofnest requires two crossbars placed at least thirty inches apart with enough clearance to install the mounting hardware that comes with your tent.
- On some vehicles, the stock crossbars are too close to the roof to install the mounting hardware. In these cases, after-market crossbars are required.
 - [etrailer.com](#) is a great resource to find the best crossbars for your vehicle, or [check out this article for more information.](#)



- Your crossbars or rack must be rated to support the weight of the tent by itself. Crossbars have a weight rating that refers to the dynamic load (when your vehicle is moving at highway speeds) and can support 5-7 times this dynamic load rating when your car is parked.

- Platform racks can be used, but are not necessary and in some cases make installation trickier. Please refer to the [platform rack installation guide on our website for more information.](#)



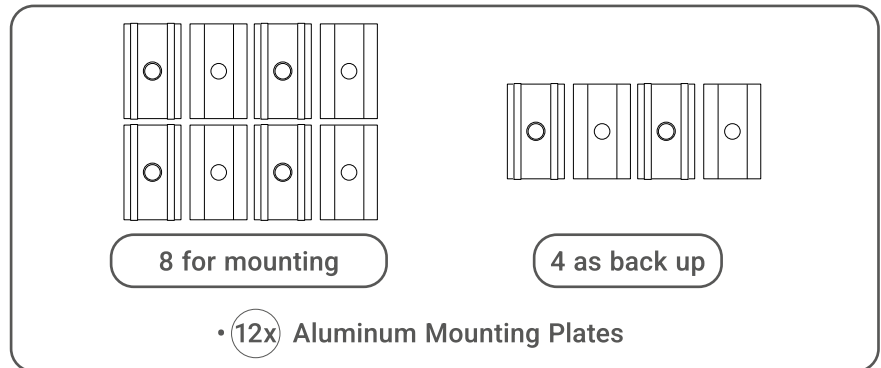
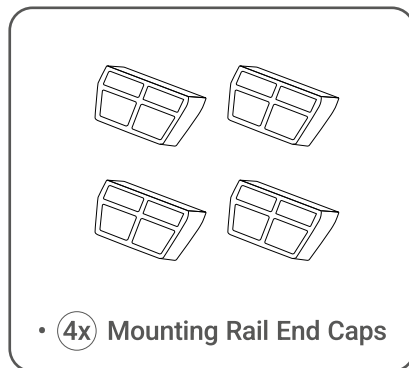
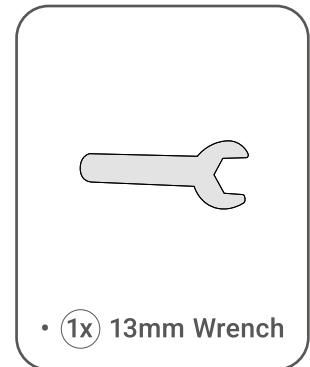
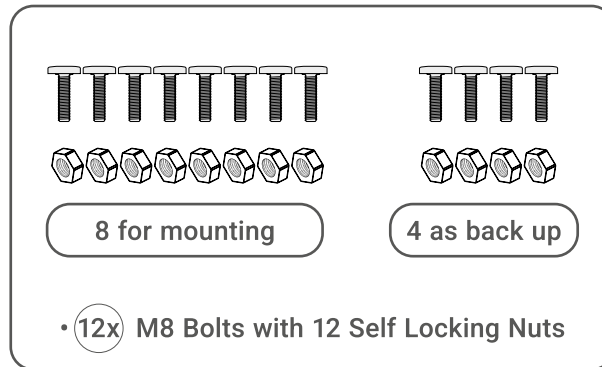
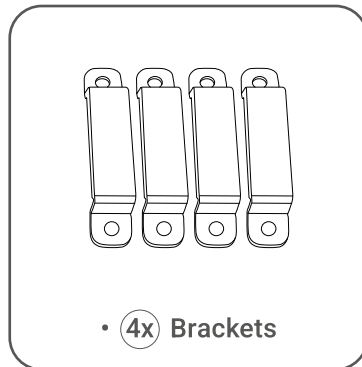
- Take a deeper dive into the full 2nd generation Condor Series [in this walkaround video.](#)



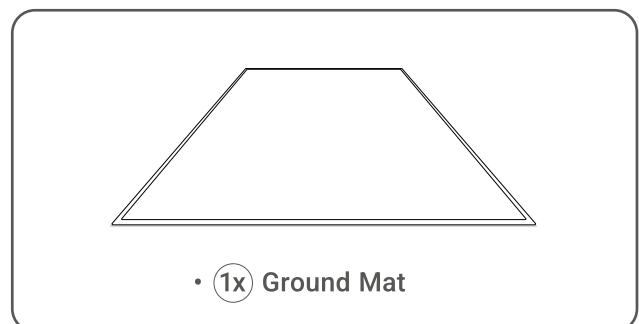
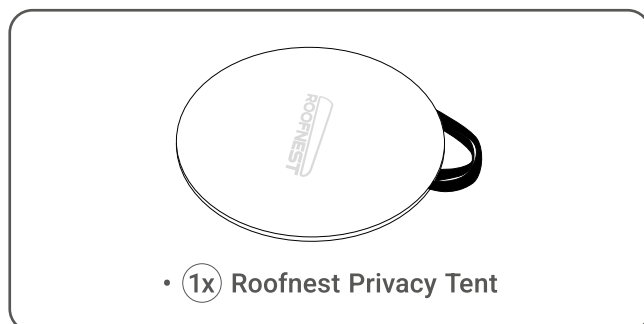
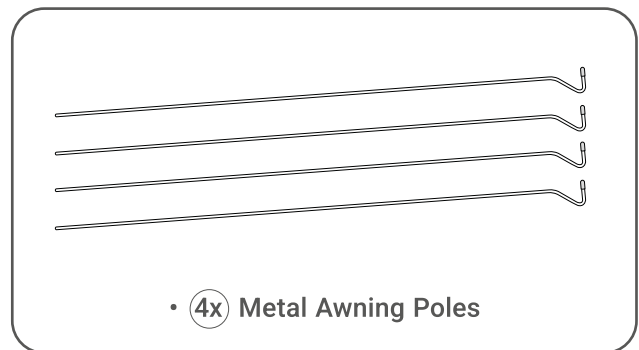
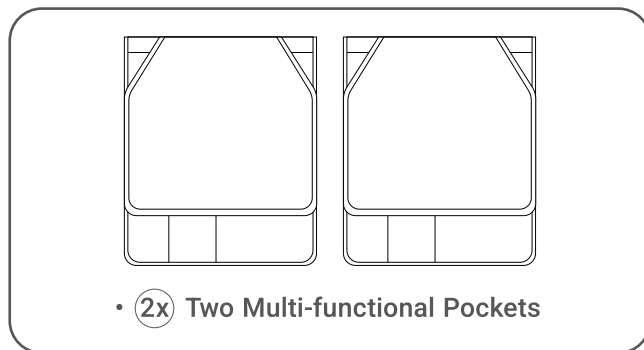
Hardware included

All of the pictured hardware and accessories can be found inside of your tent.

Mounting kit



Parts



Tent installation instructions



⚠ **Note: This is a two-person job**

Step 1

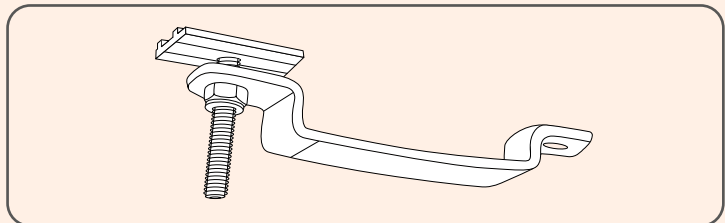
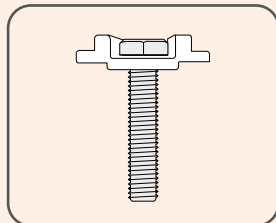
- The mounting rails on the bottom of the tent are intended to run from the front of the vehicle to the back. The latches will be in on the passenger-side. Lift the tent onto your crossbars.

Step 2

- Make sure the tent is positioned approximately where you would like, ideally centered on the vehicle. For SUVs and hatchbacks, open your trunk and push the tent back until it just misses touching the open trunk. This way you can be sure the tent won't interfere with your trunk's operation.

Step 3

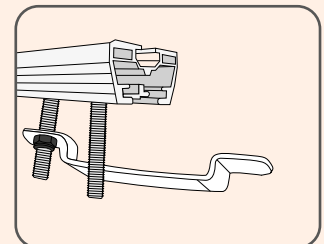
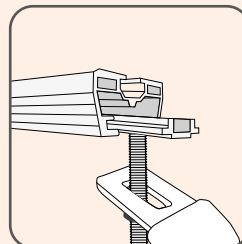
- Prepare your mounting sets.
 - a. Insert an M8 BOLT into the SLIDER PLATE (the bolt head should nest between the rails) and attach a MOUNTING BRACKET (concave pointing up). Then attach an M8 Locknut and tighten until it is about half way. **Repeat three more times.**



- b. Prepare four M8 BOLTS and Slider Plate sets by inserting an M8 BOLT into each mounting plate.

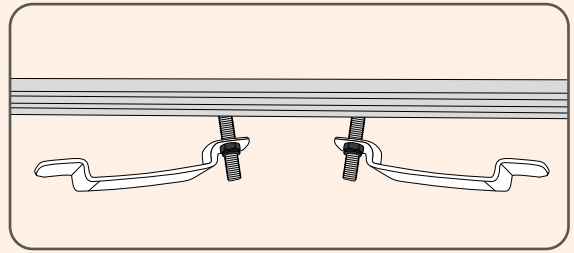
Step 4

- Slide each Mounting Bracket set into the mounting track, followed by an M8 BOLT and plate set. **Repeat for each corner of the tent.**



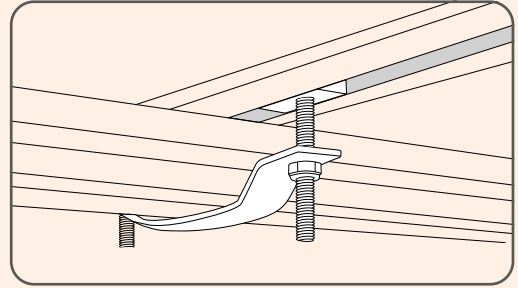
Step
5

- Start at one side of the tent and with a partner lift the tent, tipping it towards the opposite side. Slide the mounting set to the inside of your crossbar. **Repeat for each corner.** Your mounting bracket sets should be between the vehicle crossbars.



Step
6

- Connect the mounting sets together with the MOUNTING BRACKET below your crossbar with a bolt on each side. Inserting the dangling M8 BOLT through the MOUNTING BRACKET and finger-tighten the M8 LOCKNUT onto the M8 BOLT. **Repeat for all four corners.**



Step
7

- Before you do a final tightening, position your tent exactly where you want it, then, firmly tighten all the nuts. The bottom brackets around the crossbars will flex when your hardware is properly tightened.

***We do not recommend using power tools when working with Stainless Steel hardware. This increases friction and the risk of the bolts seizing. If you do experience seizing of the hardware, anti-seize will remedy this!**

Step
8

- Place the Mounting Rail End Caps on each end of the mounting rails.



IMPORTANT: BE SURE TO CHECK THE HARDWARE AFTER 10-20 MILES OF DRIVING TO ENSURE IT IS STILL SNUG. REPEAT PERIODICALLY.

- The bolts included are M8 1.25 hex head bolts, if you want shorter or longer mounting bolts they are readily available at most hardware stores.
- Applying anti-seize to your mourning hardware will ensure easy installation of your mounting kit and to prevent galling, seizing and corrosion of the hardware.

Setting up your Condor

Step 1

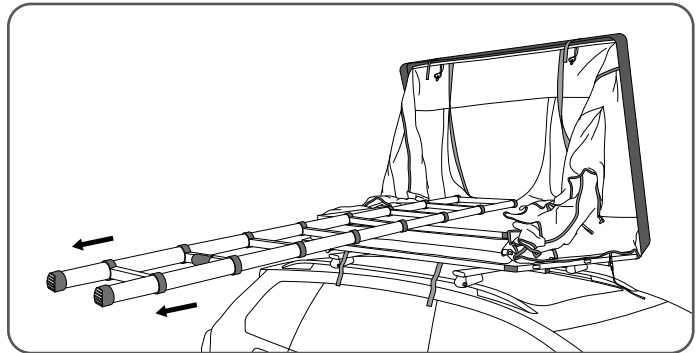
- Unlatch the two latches and lift the edge of the top shell until the gas struts take over.

Step 2

- Move the elastic cord from the middle of the tent material and secure it under the base of the tent on the storage hooks.

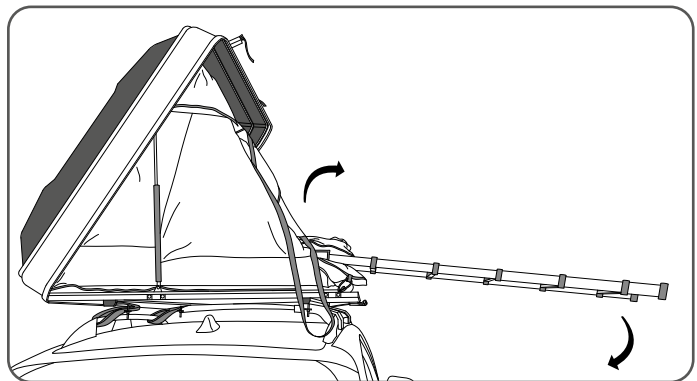
Step 3

- Grab the bottom of the ladder and pull it towards you until it is fully extended and locked.



Step 4

- Hold the bottom of the ladder and use the ladder as a lever to press down and unfold the tent, then adjust the length of the ladder as needed.

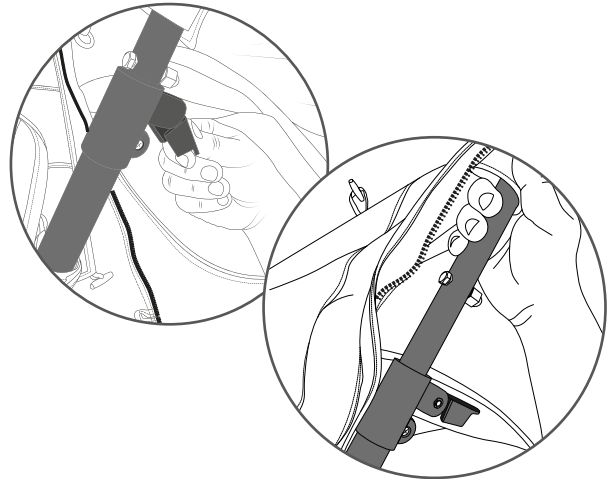


- When you extend the ladder, make sure to extend all the rungs fully so they are locked. If you need to shorten the ladder, only collapse the very upper rungs – **do not collapse the lower rungs to shorten the ladder**. Following the procedure above will ensure that the ladder is safely locked.

- The ladder should be at roughly a 70-degree angle and support the floor of the tent so that both sections of the floor are level.
- If there is bounce in the ladder, this means the ladder has not been properly locked, and you need to make certain that the rungs are locked starting from the bottom of the ladder and working up to the top of the ladder.

**Step
5**

- Once the ladder is properly adjusted and the floor of the tent is secure and flat, climb the ladder and extend the Rainfly Ubar by releasing the levers on each side and pushing the ubar upward. Once tight, secure the ubar by adjusting the levers downward.



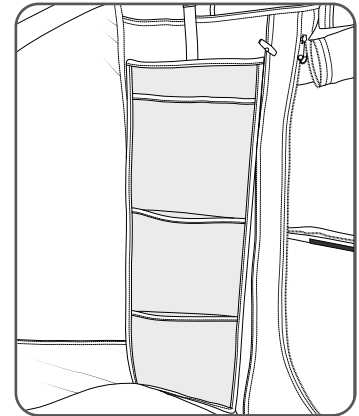
**Step
6**

- The side windows have window covers that can be used in three positions; closed, rolled up and secured, or deployed into window awnings.
- To deploy your window awnings, locate the awning poles.
- To install your awning poles, slide the flat end of the pole into the awning pole mounts in the bottom shell. Bend the pole up and push the hooked end into the eyelets of the tent material.

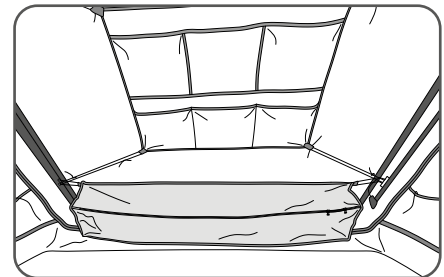
Now you are ready to camp!

Getting the most out of your Condor 2/Condor Overland 2

- **Internal Storage Pockets:** The Inner pockets near the front door can be used inside the tent or outside the tent if you prefer. Additional pockets can be purchased if you want storage pockets on both sides of your door.



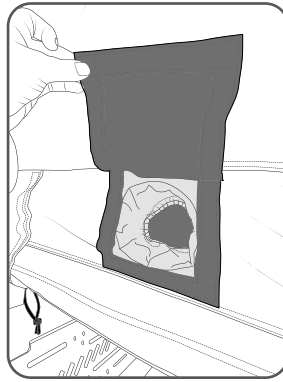
- **Internal Storage Bag:** Bedding and other soft items can be stored inside the storage bag when the tent is closed.
 - Be sure to not overpack the bag and that it remains stored between the mattress and shell, allowing the platform to fully collapse when closing the tent.



- **LEDs:** Your Condor/Overland includes 3 dimmable USB powered LEDs. All that is needed is a USB battery pack per LED.
 - The LED above the Front door can be moved to the Rainfly Ubar if desired. The power cord for the outside LED is designed to pass into the tent above the opening on the right side of the door. Prior to closing your tent be sure to move the LED back above the front door prior to ensure that the cord is not damaged when closing the tent.

- **Rainfly Options:** If you desire to stargaze without looking through the Rainfly window, you can roll the Rainfly up by unzipping it from the Rainfly Ubar and detaching the velcro from the sides of the rainfly. Use the loops and toggles to secure the rainfly out of the way. Be sure to reinstall the rainfly before storing the tent.
 - The sides of the Rainfly can also be unvelcroed and rolled up and secured if you desire.

- **HVAC ports:** If you desire adding heat or cooling to your tent, there are HVAC ports on each side of your tent. These are designed to secure to 3" to 4" piping. These ports can also be used to pass cords or other items into or out of your tent without interfering with your windows or door.

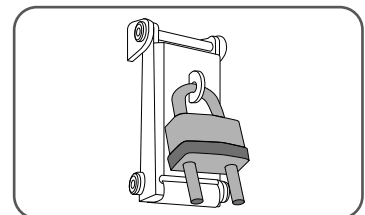


-
- **Bottle Opener:** There is a handy bottle opener located on the underside of the tent near the ladder.
-

- **Windows:** The windows and door are carefully designed to allow them to be opened with one zipper. The windows are designed to allow for privacy with the ability to open the inner window to different heights.
 - The Condor/Overland is designed to be able to mount close to truck cabs and other objects and still utilize all the windows. This is why the window covers can be left closed, rolled up or deployed as Awnings with poles.
 - In severe weather, it is recommended to secure the window covers closed to provide the most protection.
 - The front door has an exterior cover in case weather turns bad. It can be rolled and secured above the door.
 - Awning poles can be stored in the Pole Storage Pockets under each window.
-

- **Blackout Tent Material:** Updated tent material with blackout coating now allows you to sleep in well past sunrise.
 - The front door exterior cover needs to be zipped closed to block outside light from coming through the zipper.
 - Minimal light can enter under the shell, through the corners. This is designed to allow air to escape when closing the tent.
-

- **Padlocks:** Padlocks can be added to the latches to lock your tent closed. The latches are designed to accept padlocks with shackles between .25" (6mm) and .35" (9mm).



Closing your Condor

Step
1

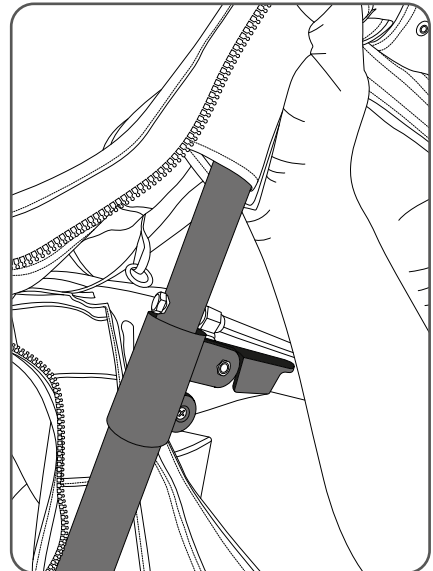
- Remove bedding and other items from the tent before closing. The internal storage bag is designed to allow some storage. Do not over pack the internal storage bag.
-

Step
2

- First, take down any awning rods from the windows and store the rods in the storage pockets below each window.
-

Step
3

- Collapse the Rainfly Ubar by releasing both levers. Now collapse the ubar, trying to lower each side evenly.



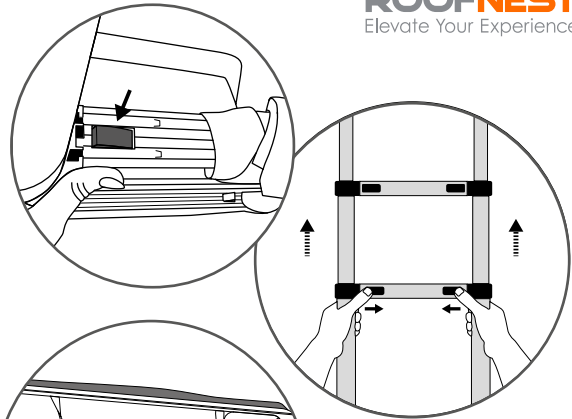
Leave the window and doors open and close the door/window covers halfway to allow air to escape during closing.

Step
4

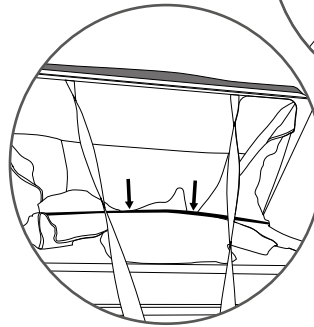
- Lift the ladder upward to fold the tent.

**Step
5**

- Collapse the ladder by pressing the black tabs on the rungs and compressing the rungs back to the top of the ladder.

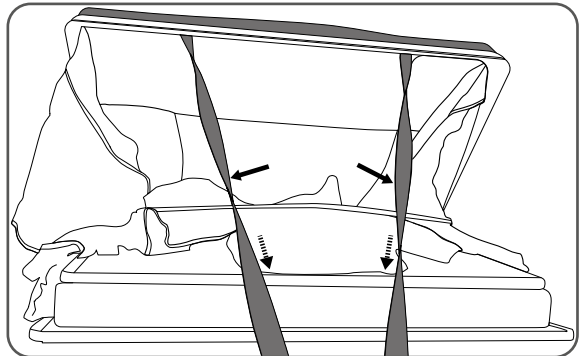


- Reposition the elastic cord to the middle of the tent material.



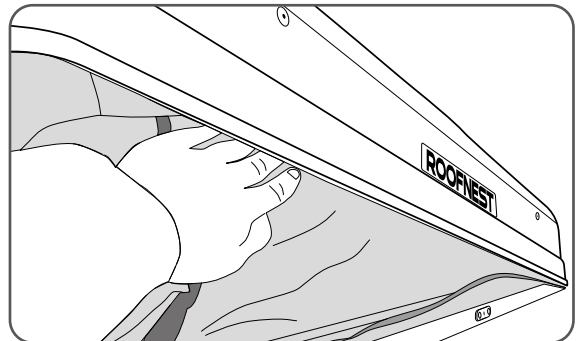
**Step
6**

- Pull the black webbing strap towards you to fold down the shell.



**Step
7**

- When the shell is almost closed, tuck all the tent material back under the shell as well as the black strap.



**Step
8**

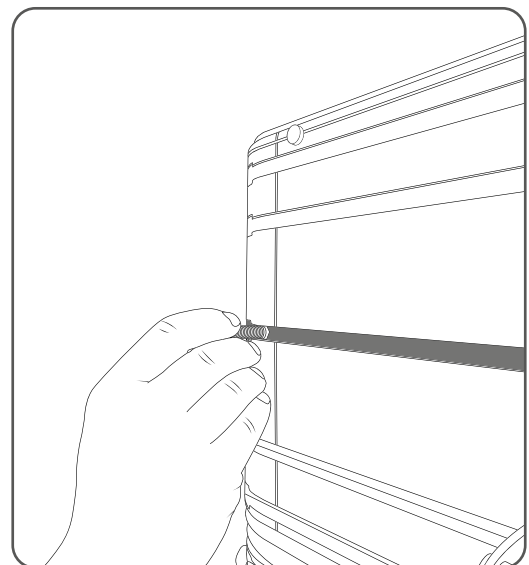
- Close the shell fully and latch the two latches. Secure the velcro strap on the Latch to the underside of the tent.

Condor Overland 2

Accessory Channels

- The Condor Overland 2 has Accessory Channels on all four sides of the top and bottom shell allow you to attach anything to your Condor Overland like crossbars, lights, etc.

- You can attach accessories to the channels using the rectangular nuts (M8 1.25 threads) or purchase M8 1.25 hex head bolts which slide directly into the channels which fix the bolt head.



- Weight limit per side is 75 lbs, not exceeding 25 lbs per bolt. Position accessories so that the weight and placement of accessories does not interfere with the ability of the struts to open the tent.

Caring for your Roofnest



Please read the following for more information on caring for and maintaining your Roofnest - it's the responsibility of the owner to properly care for and maintain your Roofnest to ensure warranty coverage.

Maintenance Tips



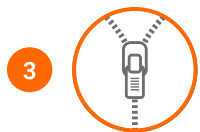
1

After your epic adventures, we recommended opening up your Roofnest and letting it dry out completely. Since the Roofnest is not air-tight, we also recommend opening your tent regularly (every 1-2 weeks) to ensure condensation does not build up. Humid climates and environments that are prone to freeze/thaw cycles will need to take extra precaution.



2

Propping up or removing the mattress is also recommended as moisture can easily get trapped in the folds of your tent material and in the foam mattress.



3

Don't force zippers. If you find that one is sticking a bit, add some zipper lubricant. If a zipper is having trouble coming together, have someone help you by pulling the fabric together to reduce tension.



4

Though we use stainless steel for the hardware in our tents, steel can still accumulate a bit of surface rust when subjected to the elements. This is normal and does not affect the strength or durability of the steel. You can easily clean off the surface rust with some isopropyl alcohol or WD-40.

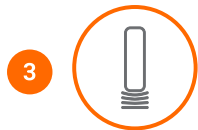
Storage



1 Before storing your tent, make sure the tent is 100% dry. Storing your Roofnest with any moisture inside can lead to mold and mildew growth. Opening your tent after your trip to air out and then wiping the tent down on the inside and outside will help.



2 Remove and wash the mattress cover as needed. You may want to consider storing your mattress outside the tent, especially if you live in a humid climate.



3 Your Roofnest can be stored on its side indoors, just make sure to avoid placing the tent on the latches. We recommend something under the tent like thick cardboard or a moving blanket.



4 Storing a tent on your vehicle year-round is fine but you will want to open your tent regularly to make sure moisture does not accumulate, as the Roofnest is not air-tight and freeze-thaw cycles can allow moisture to get inside your tent when it's closed.



5 We recommend a cover to protect the exterior of your tent from harsh elements.



Mildew/mold



- If not vented properly when sleeping in cold environments, condensation will always form inside any tent - this is normal and unavoidable. If left unattended, the moisture from condensation can lead to mold and/or mildew growth. [See our Condensation Guide](#) for tips on reducing condensation. Damage from condensation is not subject to warranty coverage.
- If you discover mold or mildew on your Roofnest, we recommend using a VERY light bleach solution and a bit of scrubbing to remove the stains. If you prefer a natural alternative to bleach then white vinegar or a 3% hydrogen peroxide solution will also work well.



Protection from the Elements - Winter and Summer Care



- **Winter:** Open your tent regularly, especially during the winter months, to make sure moisture does not accumulate, as the Roofnest is not air-tight. Condensation can occur inside your tent during freeze/thaw cycles. If your tent is not opened to allow the moisture to dry, mold and mildew will occur. We recommend airing your tent out every 1-2 weeks.



- **Summer:** The Sun is harsh on all materials. The sun will cause aesthetic changes to the tent over time. The best option is to keep your tents stored out of the sun or protected under a cover when not in use.

Safety information

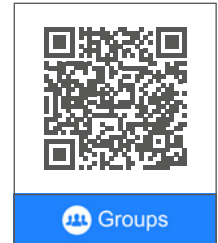


Driving speed should always be adjusted according to the current driving conditions – please use caution on your first few drives with the Condor on top and always remember to check the mounting hardware.

- Remember to check your mounting hardware regularly.
- Do not use your Condor if there is any visible damage to any part of the tent, instead contact us at support@roofnest.com with any concerns.
- Understand that secured loads and incorrectly mounted roof bars can come loose during journeys and can cause serious accidents.
- Always consult your vehicle and crossbar manuals to ensure you are following their recommendations.
- Max ladder weight is 300lbs.
- Please note the following when using your Roofnest:
 - Coming in contact with low entrances, low hanging branches, etc. can cause serious damage to your Roofnest.
 - Wind noise may be generated when traveling with a roof top tent.
 - When using an automatic car-wash, your Roofnest must first be removed.

Thank you so much for being a Roofnest customer!

Please stay in touch and let us know where your travels take you – we love to get photos! We also have a great community online where customers post photos, share stories, tips, and good vibes – the Roofnest Flock – find it on Facebook by searching for “Roofnest Flock”.



e: support@roofnest.com
p: (303) 502-5406
roofnest.com

Now go camping and enjoy!
Share Your Adventures #Roofnest

