

Condor 2 Crossbar Installation Guide



To install your Roofnest crossbars, you will need access to the following tools:

- A drill with an 5/16" drill bit
- 13mm wrench

⚠ It is recommended to have two people to complete this install.

**Step
1**

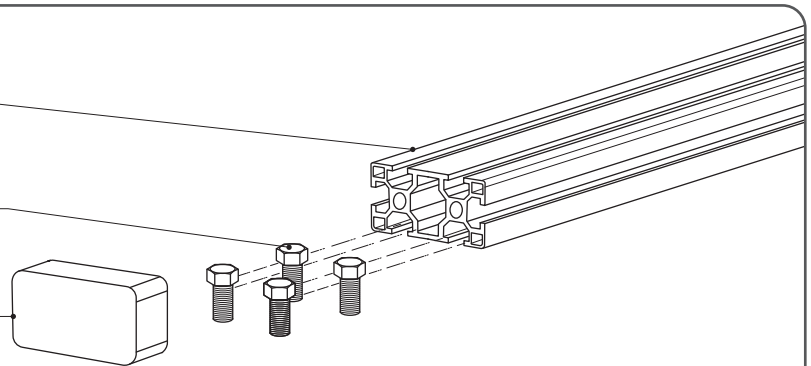
Prepare Required Hardware

- Prior to installing your crossbars, gather all the required hardware that comes with your crossbars. Here's a list of the items you'll need:

• 2x Six-channel Crossbars

• 16x M8 x 16 Fully Threaded Bolts

• 4x Crossbar End Caps



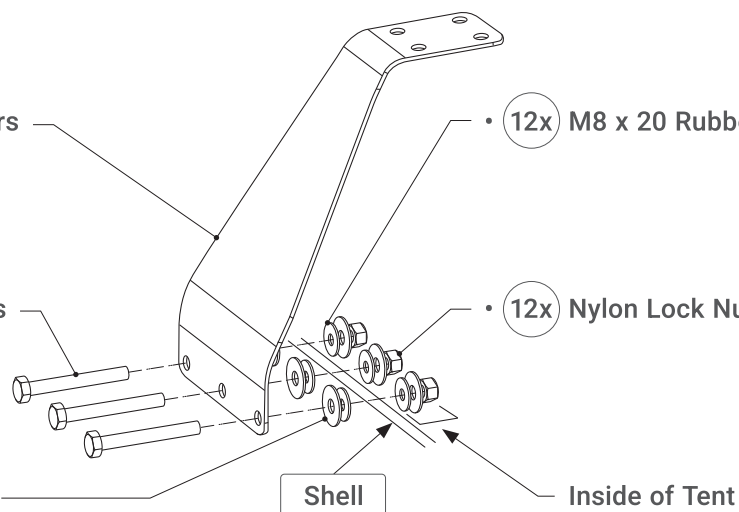
• 4x Roofnest Crossbar Towers

• 12x M8 x 65 Hex Head Bolts

• 12x M8 x 24 Metal Washer

• 12x M8 x 20 Rubber Washer

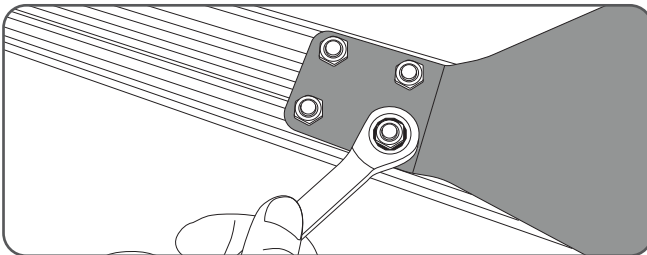
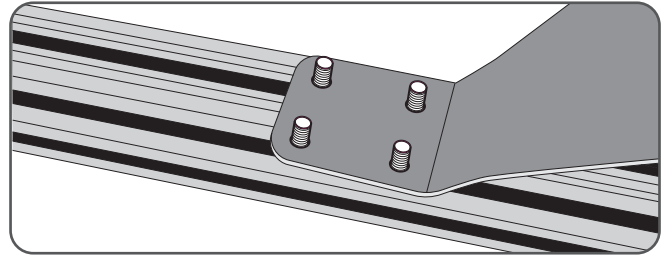
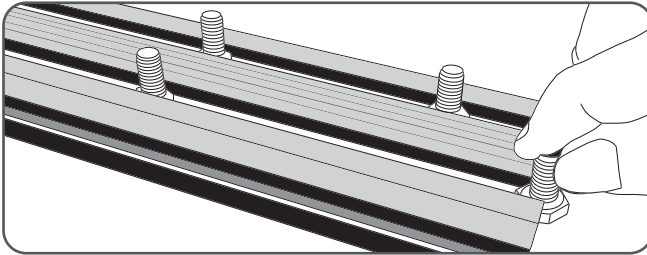
• 12x Nylon Lock Nuts



**Step
2**

Loosely Assemble Crossbars

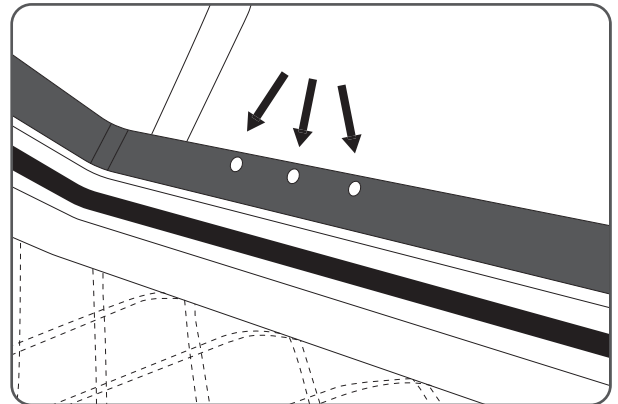
- Begin by loosely assembling the crossbars. This allows for approximate fitting and adjustment before final installation.



**Step
3**

Preparing to Drill your Shell

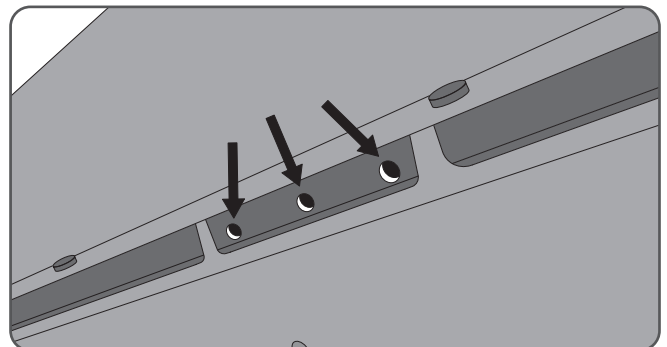
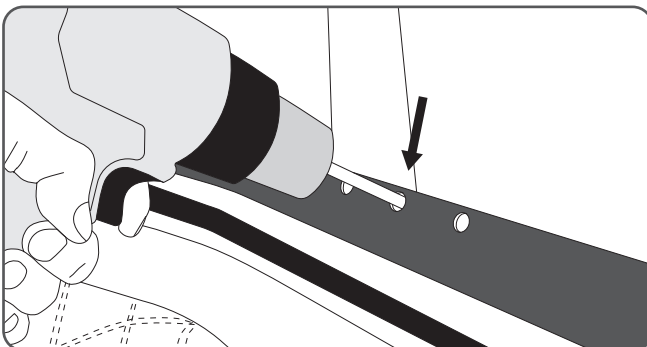
- Open your Condor 2 tent and locate the aluminum frame running along its interior. You'll notice this aluminum frame has three holes near each corner. No measuring required. The inner and outer holes in the aluminum frame will guide your drill bit.



**Step
4**

Drill Holes

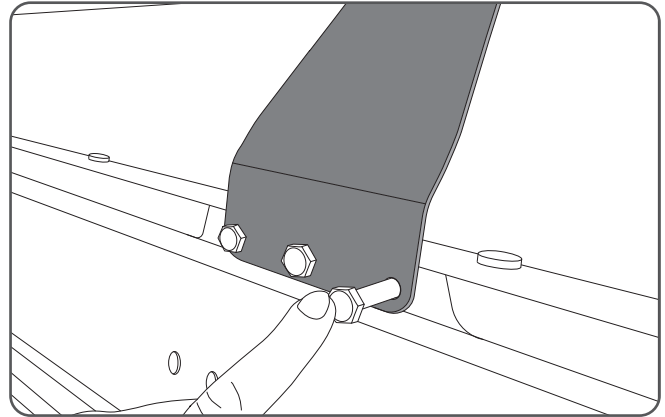
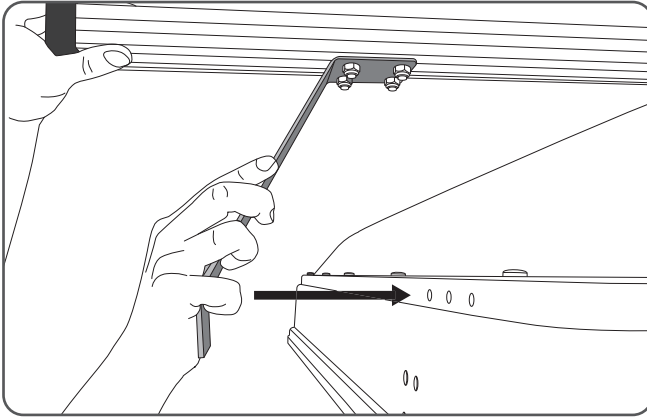
- Slowly, going from the interior of the tent to the exterior, drill through the plastic shell of the tent using the previously identified holes as guides.



Step 5

Secure Crossbar Towers

- Once the holes are drilled, close the tent and align the crossbar towers on the tent's exterior. Use the provided mounting hardware to secure the towers in place.



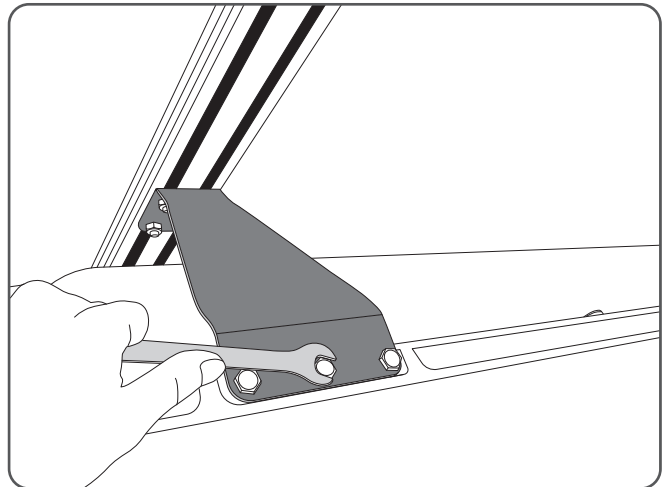
⚠ For Steps 5 and 6, Please Refer to Step 1 for the interior and exterior washer placements.

Step 6

Interior Fastening

- Inside the tent, have a second person use a 13mm wrench to fix the towers securely into place using the provided nylon lock nuts, while someone on the outside holds the bolts in place.

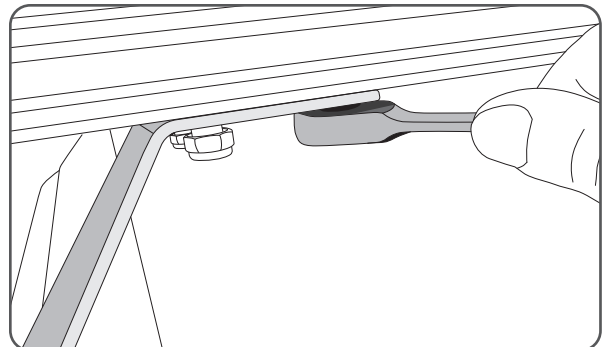
⚠ Closing the tent partially helps to make this task easier.



Step 7

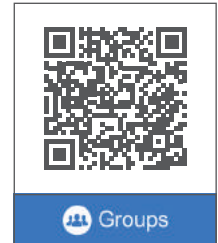
Final Adjustment

- After securing the crossbar towers to the exterior of the tent, finalize the positioning of the crossbars and tighten them down using the nylon lock nuts. Give the crossbars a test tug or two and they are ready to use!



Thank you so much for being a Roofnest customer!

Please stay in touch and let us know where your travels take you – we love to get photos! We also have a great community online where customers post photos, share stories, tips, and good vibes – the Roofnest Flock – find it on Facebook by searching for “Roofnest Flock”.



e: support@roofnest.com
p: (303) 502-5406
roofnest.com

Now go camping and enjoy!
Share Your Adventures #Roofnest

