

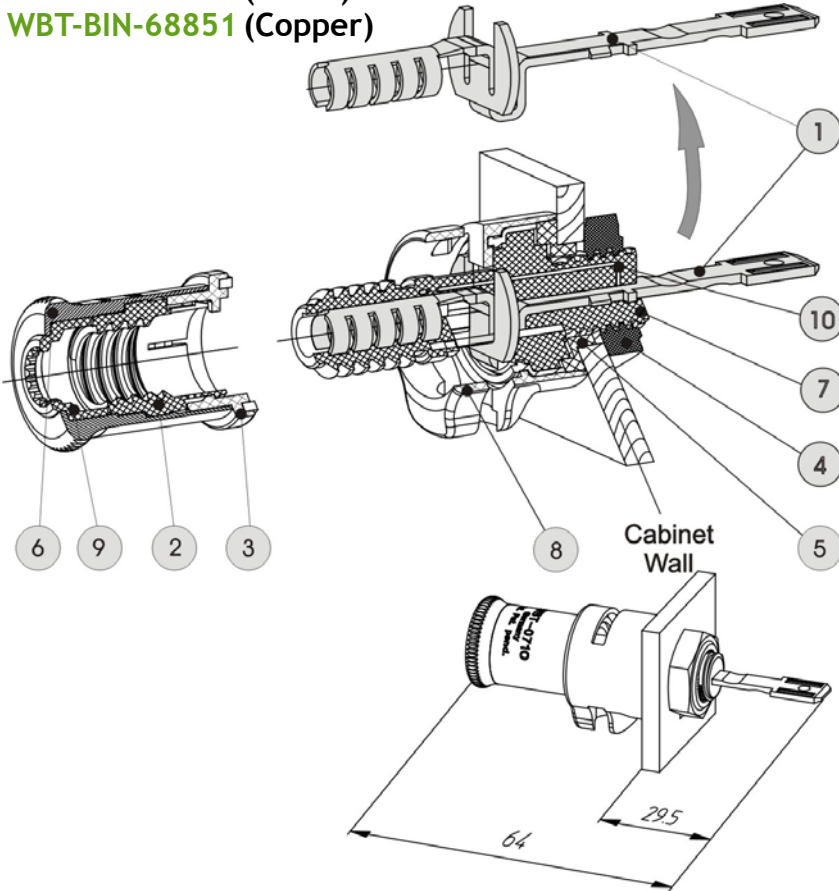


WBT-0710

E

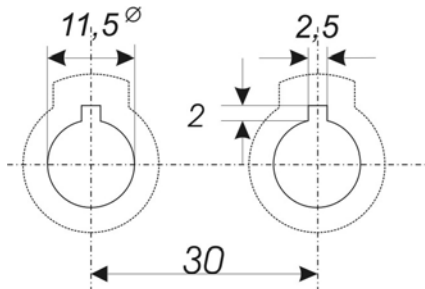
WBT-BIN-68850 (Silver)

WBT-BIN-68851 (Copper)



Component List		
1	Signal conductor 'Plus', pure copper or fine silver	1
2	Pressure Nut PA 6.6, fibre-glass reinforced	1
3	Pressure Ring with internal damping ring	1
4	Counter Nut, PA 6.6, fibre-glass reinforced	1
5	Double Step Washer PA 6.6,	1
6	Adjusting Nut Cap, brass	1
7	Base Element Tedur ³⁾	1
8	Isolation Bowl, Makrolon ²⁾	1
9	Marking Ring	1
10	VA reinforcement (stainless steel)	1
Extent of delivery 1 – 10 mounted		
Revision date 27.07.2006		

¹⁾ Elastolan 95 is a registered trademark of Elastolan AB • ²⁾ Makrolon is a registered trademark of Bayer AG • ³⁾ Tedur is a registered trademark of Albis Plastic GmbH • WBT and nextgen are registered trademarks of WBT GmbH



(recommended centre distance, suggested standardization)
Drilling scheme (original size)



WBT-0710
RoHS compliant

WBT-0710 Pole Terminal nextgen™

(International. Pat. EP 1470620)

Pole terminal for cabinet wall mounting, *plug- / solderversion*

1. Mechanics

- One piece, low tolerance contact element (Tol. < ± 0.02 mm)
- Fully insulated construction

2. Materials

- Signal conductor(1): Pure copper or fine silver
- Base element (7), Tedur™, PA mineralized, fibre-glass reinforced
- Counter Nut (4) and Pressure Nut (2) PA, fibre-glass reinforced
- Marking Ring (5) and Double Step Washer (9) PA 6.6
- Damping Ring in (3) Elastolan 95¹⁾
- Pressure Ring (3) and Insulation Bowl(8) Makrolon²⁾
- Adjusting Nut Cap (6) Brass
- Reinforcement (10) Stainless steel, non ferromagnetic

3. Surfaces:

- Signal conductor: Cu: WBT -24-carat-gold plating, bronze 5 µm, Au 0.3 µm
- Ag passivated
- Adjusting Nut Cap: direct one layer gold plated with Au 0.3 µm
- All materials, including surfaces, are free from substances with ferromagnetic properties

4. Operating Characteristics (reliably observed after more than 10³ connections/disconnections)

- Permanent current $I_D > 30$ A
- Transition resistance $R_{ti} < 0.1$ mOhm (measured with spade connection)
- Contact resistance $R_{DCu} < 0.15$ mOhm (measured with spade connection)
- Contact resistance $R_{DAg} < 0.14$ mOhm (measured with spade connection)
- Insulation resistance $R_{iso} > 10^{10}$ Ohm

5. Connection Options

- solder for cable (up to 4 mm²)
- plug, for 6.3 mm flat push-on cable shoe

6. Mounting

- Chassis drill hole $\varnothing 11.5^{+0.2}$ mm with slot 2.5x2 mm for twist prevention (see drilling scheme)
- Wall thickness 0.9 - 5 mm. With puzzle plate WBT-9410 (s. picture on left): 0.9 – 3 mm
- Recommended distance between two terminal centres: 30 mm
- Recommended tightening torque for the counter nut (4): 0.8 Nm