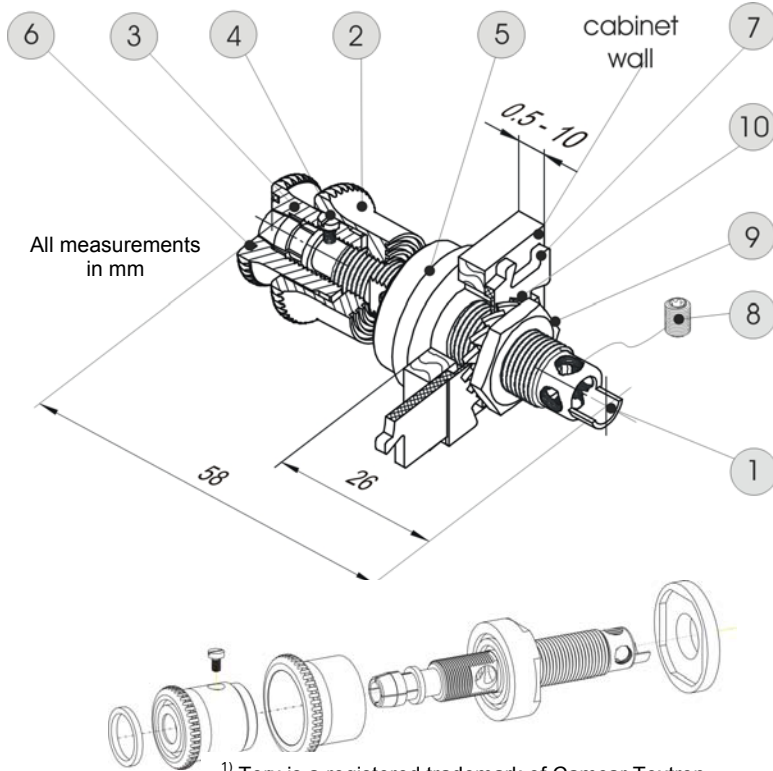


WBT-0702.01 Topline Standard

E

WBT-BIN-62410



1) Torx is a registered trademark of Camcar Textron
WBT is a registered trademark of WBT GmbH

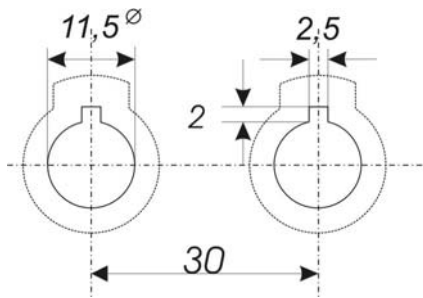
Table of contents

1	Base element Cu alloy	1
2	Adjusting nut Cu alloy	1
3	Compression pad Cu alloy	1
4	Locking screw, Cu alloy M1,6 x 3 DIN 84	1
5	Double step washer, PA with square socket and tappet, red, white or black	1
6	Marking ring, PA red, white or black	1
7	Insulating puzzle lock washer, PC, black	1
8	Torx® screw, Ms M4 x 7	1
9	Counternut, Ms	1
10	Optional fan-shaped washer, Bz (WBT-9150)	1

Extent of delivery: 1 to 9 (10 optional)
enduser version: 1-6, 8+9 mounted
OEM version: 1 to 4, 6 mounted

Revision date 14.08.2007

WBT- 0702.01 Topline High Current Pole Terminal (US Patent No. 5,226,841)



Drilling scheme (original size)



1. Mechanics

- single-segment, low-tolerance contact elements (tol. less than ± 0.02 mm)
- solid basic element with 4-mm boring and collet chuck for banana plug and internal screw box with cross boring for direct cable connection.
- Adjusting nut with fine thread for optimum contact pressure

2. Materials

- all solid parts made of highly ductile copper alloy
- insulating material: polyamide PA 6 (10% glass fibre), red, white or black polycarbonate PC (30% glass fibre), black

3. Surfaces:

- 24 k multilayer gold plating (Au 0.3 μ m), Ni-free, non-magnetic

4. Operating characteristics

- continuous current $I_0 \geq 100$ A
- peak current $I_S \geq 300$ A
- contact resistance $R_0 \leq 0.1$ mOhm
- volume resistance $R_B \leq 0.003$ mOhm
- isolation resistance $R_{iso} > 10^{10}$ Ohm

5. Outlines

- length, over all: L = 58 mm
- overhang, $L_0 = 32.9$ mm

6. Connection options

- Internal connection (for cables up to 10 mm² (AWG 7)):
 - soldering version
 - crimping version
- external connection:
 - for (crimped) cable ends up to 6 mm² (AWG 9)
 - for spade lugs (with 6- and 8-mm contact fork)
 - for 4-mm banana plugs

7. Mounting

- single: boring: dia. 11.5+0.2 mm with 2.5x2 nut for twist protection (see drilling scheme left)
- as double pole terminal with recommended spacing of 30mm as shown left
- Recommended tightening torque for the counter nut (9): 8.5 Nm

WBT also offers special parts and information hereto. Please ask us!

New: WBT mounting plates made of aluminium, mono- and bi-wiring plates equipped with WBT terminals are also available.

Safety instruction: within the EU territory WBT-0702 must not be used without the safety-stick (WBT-0799) (to provisionally close the 4-mm banana-boring).

WBT-0702.01
RoHS compliant