

WBT-0730.01 Standard
 WBT-0730.11 Signature Gold
 WBT-0730.12 Signature Platinum

E

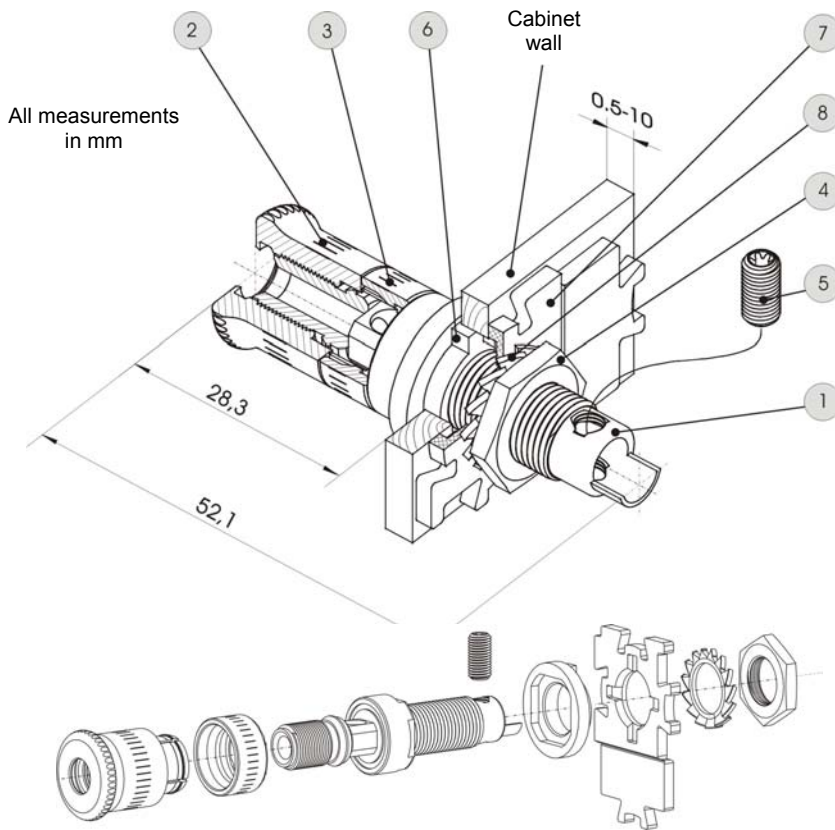


Table of contents

1	Base element Cu alloy	1
2	Adjusting nut Cu alloy	1
3	Compression pad Cu alloy	1
4	Counternut Cu alloy	1
5	Torx ¹ screw, M4 x 7 mm, brass	1
6	Double step washer w. square socket and tappet 4.6 mm, PA 6.6, red & white	1
7	Insulating puzzle lock washer, PC, black	1
8	Optional serrated lock washer, Bz (WBT-9150)	*
9	19-mm connection bracket, PA, red or white (WBT-9404)	*

Extent of delivery, 1 - 7, (1 - 3 mounted)
 8 and 9 optional

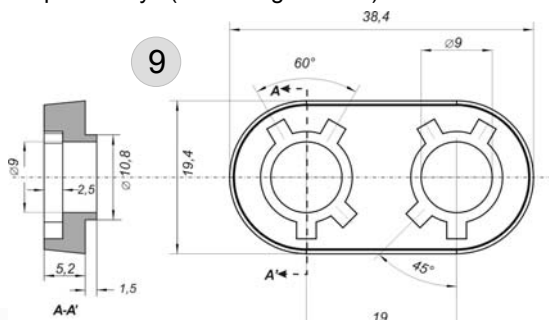
Revision date 12.12.2006

¹⁾ Torx ist eine eingetragene Marke von Camcar Textron ⁴⁾ WBT und nextgen sind eingetragene Marken der WBT GmbH

WBT- 0730 Pole Terminal

(Petty patent (DBGM 90020367), int. registered design (M9001263))

Mounting aid (WBT-9404 Connection Bracket)
 for double pole arrays (about original size)



- 1. Mechanics**
 - single-segment, low-tolerance contact elements (tol. less than ± 0.02 mm)
 - solid basic element with 4-mm boring for banana plug, internal screw box and cross boring (dia. 5.6 mm) also for thick cables.
 - Adjusting nut with extra-fine thread (0.5 pitch) and free running compression pad with cross-milled surface for optimum contact pressure reduces wear on cables.
- 2. Materials**
 - all solid parts made of highly ductile copper alloy
 - insulating material: polyamide (PA) 6 (10% glass fibre); red, white or black polycarbonate (PC) (30% glass fibre), black
- 3. Surfaces:**
 - Standard: 3-layer finish, Au 0.3 μ m, non-magnetic
 - Signature: plated and polished plus 1-layer finish, Au 0.3 μ m or Pt 0.3 μ m
- 4. Operating characteristics**

	Standard,	Signature;
continuous current	$I_D > 200$ A	$I_D > 200$ A
peak current	$I_S > 2,000$ A	$I_S > 2,000$ A
contact resistance	$R_C \leq 0.1$ mOhm	$R_C \leq 0.07$ mOhm
volume resistance	$R_B \leq 0.003$ mOhm	$R_B \leq 0.002$ mOhm
isolation resistance	$R_{iso} > 10^{10}$ Ohm	$R_{iso} > 10^{10}$ Ohm
- 5. Outlines**
 - Length, over all: $L_{min} = 52.1$ / $L_{max} = 57.1$ mm, overhang $L_{ummin} = 28.3$ / $L_{ummax} = 33.3$ mm
 - When using the connection bracket WBT-9404 the max. possible thickness of cabinet wall reduces to 5 mm
- 6. Connection options**
 - Internal connection (for cables up to 10 mm² (AWG 7):
 - soldering version
 - crimping version
 - external connection:
 - for (crimped) cable ends up to 6 mm² (AWG 9) using adjusting nut (2) and compression pad (3)
 - for spade lugs (with 6- and 8-mm contact fork)
 - for 4-mm banana plugs, also double plug (19-mm-standard spacing), see 8.
- 7. Mounting**
 - as double pole terminal, using connection bracket (9) in acc. with the drawing shown left, 19-mm standard spacing, the single terminal can be installed in steps of 30°/45°
 - single, without connection bracket: boring: dia. 11.5+0.2 mm with 2.5x2 nut for twist protection
- 8. Safety instruction:**
 - Within the EU territory WBT-0730 must not be used without the safety-stick (WBT-0799) (to provisionally close the 4-mm banana-boring).

WBT-0730.12
 RoHS compliant