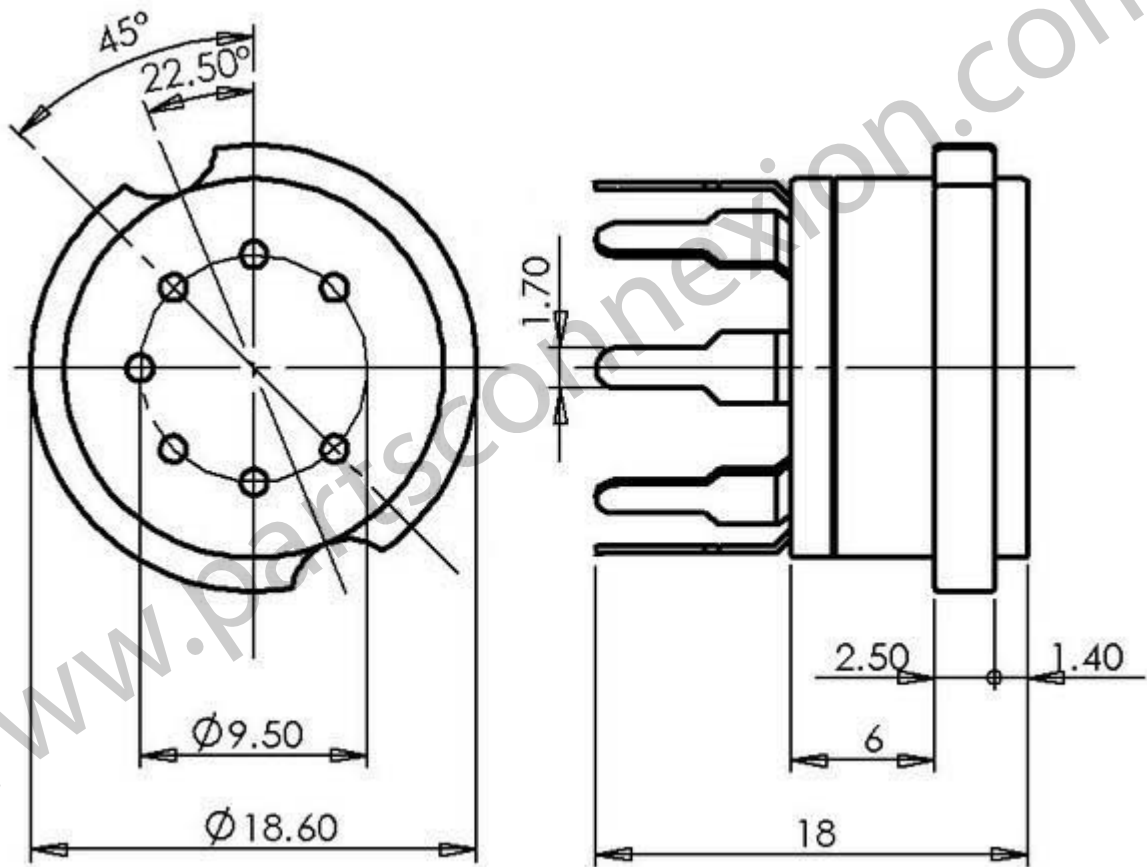


7-Pin PCB Tube Socket:

SOCKET-59028 (Silver)

SOCKET-59029 (Gold)

NOTE: All dimensions are in millimeters (mm)



Toll Free: 1-866-681-9602 • Local: 905-681-9602 • Fax: 905-631-5777
 Shipping Address: 5109 Harvester Rd, Unit B2 • Burlington • Ontario • Canada • L7L 5Y4
 Website: www.partsconnexion.com • Email: info@partsconnexion.com