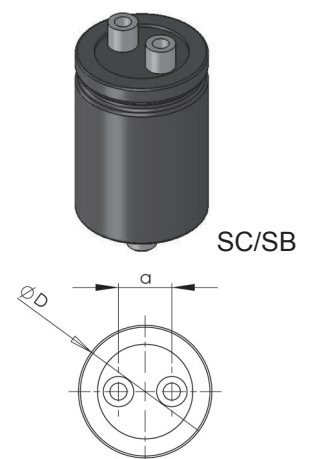
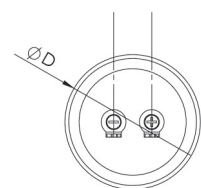
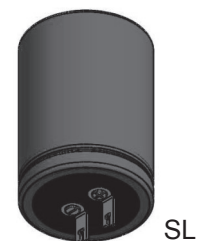
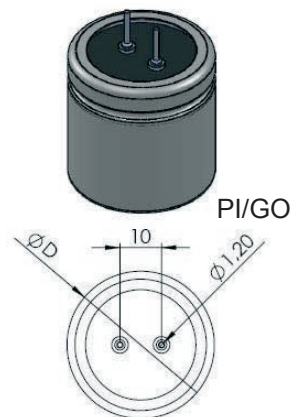
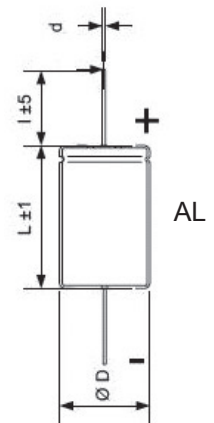


Power Capacitors MLytic AG



The **MLytic® AG · Audio Grade Power Cap** series offers all benefits of Mundorf's unique MLYtic® technology as described in detail on page 6 plus the following features:

Supply availability	Typically immediately ex stock for all types listed on page 21 4-6 weeks for your individual combination of features · from 144pcs only
Versatile applicable	RoHS-compliant · lead free REACH compliant Finest UL-listed ingredients only Sectional specification DIN 41332 · IEC 60384-4 Climatic category IEC 60068 40/105/56
Indication of origin	Made in Germany with greatest care
Capacitance range	47µF to 330 000µF
DC voltage range	16 · 25 · 35 · 40 · 50 · 63 · 80 · 100 · 160
Temperature range	-40°C/-40°F to 125°C/+255°F for 16V to 63V -25°C/-13°F to 105°C/+220°F for 80V to 160V
Diverse connectors	AL · axial leaded PI · plug-in GO · glue-on SL · solder-lugs SC · screw-terminal clamp mounted SB · screw-terminal bolt mounted
Useful lifetime [U _R · I _{R~}]	3 000 hours at +125°C/+255°F for 16V to 63V 8 000 hours at +105°C/+220°F for 16V to 160V 16 000 hours at +85°C/+185°F for 16V to 160V
Rated lifetime [U _R]	1 000 hours at +125°C/+255°F for 16V to 63V 2 000 hours at +105°C/+220°F for 16V to 160V
Case diameters [mm]	10 · 12 · 14 · 16 · 18 · 20 · 25 · 30 35 · 40 · 45 · 50 · 65 · 75 · 90
Case heights [mm]	Customized from 25 to 230 [typically in 5mm steps]
Case diameters [inch]	0.39 · 0.47 · 0.55 · 0.63 · 0.71 · 0.79 · 0.98 · 1.18 1.38 · 1.57 · 1.77 · 1.97 · 2.56 · 2.95 · 3.54
Case heights [inch]	Customized from 0.98 to 9.06 [typically in 0.2inch steps]
External insulation	Lead free PVC sleeve with end disk · voltage proof ≥2500 A
Leakage current [I _L]	≤ 0,008 * C _R [µF] * U _R [V] + 6µA after 5 minutes at U _R
[ESL]	20nH equivalent series inductance
Maximal reverse voltage	2V



Power Capacitors MLytic AG

Inner Excellence

The **MLytic® AG • Audio Grade Power Cap** series is especially engineered for use in small power and pre amplifiers.

MLGO • glue-on capacitors offer non-magnetic, straight, tinned copper wires \varnothing 1.2mm \approx AWG17. Additionally they own a vibration-reducing, traction-relieving, self-adhesive MPSA • Mounting Pad.

They supersede the well-known MLSI series. Drill hole spacing [pitch] of **MLGO • glue-on** remains 10mm/0.39inch. Hence they are snap-in capacitor intermateable and so particularly suitable for repairs and modifications.



MLGO

Audio Grade Power Cap, Glue-On, 2Pin

Rated Voltage [VDC]	Capacitance [μ F] \pm 20%	Case Size \varnothing * L [mm]	Wire Size \varnothing * L [mm]	Rated Ripple Current IR~ at Tmax and 100Hz [A]	Surge Voltage [VDC]	ESR at 100 Hz [mOhm]	Tan δ @ 100Hz	Nominal Current IR for 5 Min. [μ A]
100	1000	25 * 30	1,2 * 9	1,2	115	127	8	600
100	1500	25 * 35	1,2 * 9	1,5	115	85	8	900
80	10000	35 * 50	1,2 * 9	3,9	92	24	15	4800
63	2200	25 * 30	1,2 * 9	1,7	72	58	8	830
63	3300	30 * 30	1,2 * 9	2,1	72	48	10	1246
63	4700	30 * 35	1,2 * 9	2,6	72	41	12	1776
63	6800	30 * 40	1,2 * 9	3,0	72	28	12	2570
63	8200	30 * 45	1,2 * 9	3,4	72	23	12	3100
63	10000	30 * 50	1,2 * 9	3,5	72	24	15	3780
63	15000	35 * 60	1,2 * 9	5,1	72	16	15	5670
63	22000	35 * 70	1,2 * 9	6,0	72	13	18	8316
40	4700	25 * 30	1,2 * 9	1,8	46	51	15	1128
40	6800	25 * 35	1,2 * 9	2,1	46	42	18	1632
40	10000	30 * 40	1,2 * 9	2,7	46	35	22	2400
40	22000	35 * 50	1,2 * 9	4,4	46	18	25	5280
40	33000	35 * 60	1,2 * 9	5,3	46	14	30	7920
25	10000	25 * 35	1,2 * 9	2,4	28	32	20	1500
25	22000	30 * 40	1,2 * 9	3,5	29	20	28	3300
25	47000	35 * 50	1,2 * 9	5,9	29	10	30	7050