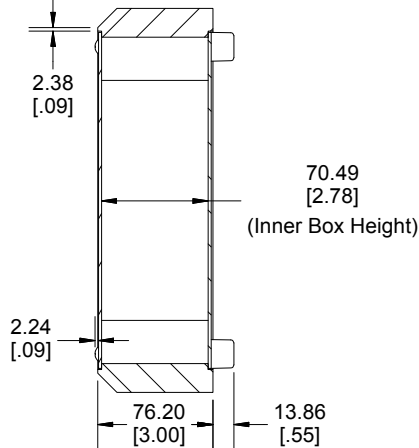
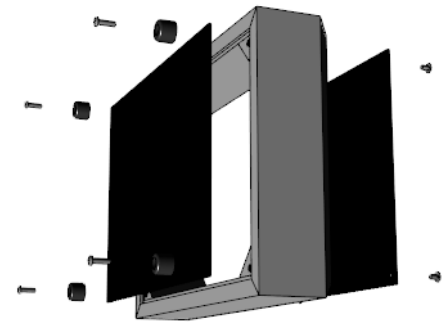
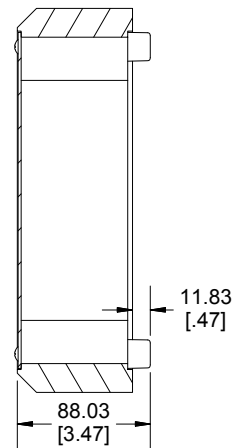


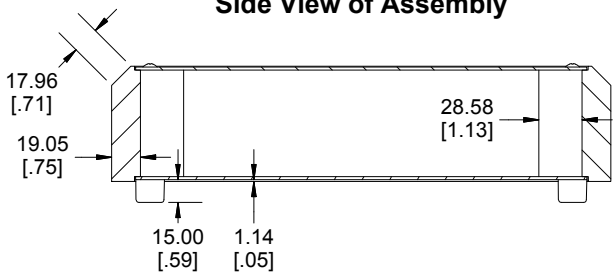
SECTION A-A
End View of Assembly



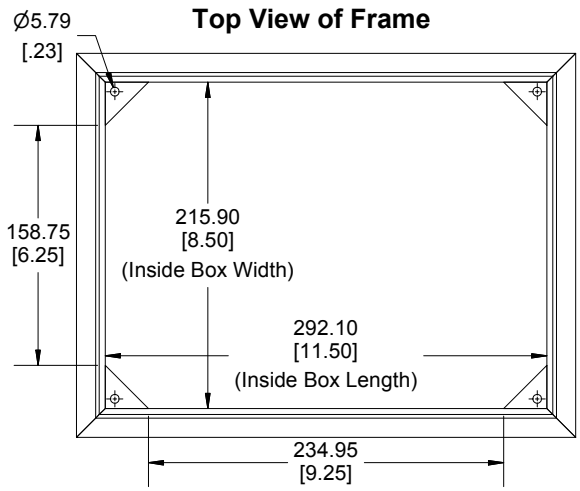
SECTION A-A
Without Optional Bottom Panel



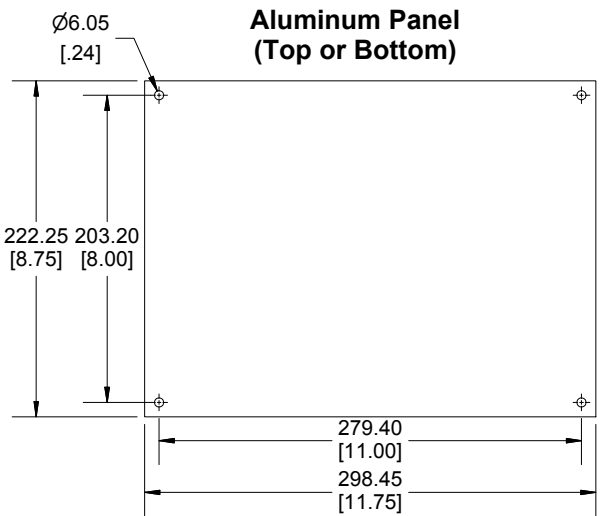
SECTION B-B
Side View of Assembly



Top View of Frame



Aluminum Panel
(Top or Bottom)



Enclosures can be Factory Modified (Milling, Drilling, Printing etc.)
Contact Factory mjm@hammondmfg.com for quotes
Solid models of this enclosure available in STEP or IGES.

NOTE
Chassis Includes Solid Walnut Frame, one (1) Aluminum Panel, Rubber Feet and Required Hardware
Aluminum Panels are Made of 0.080" Aluminum.

Screws should not be torqued past 4.43 lbf.in (50 cN.m)

PART NUMBERS	
13"x10" Enclosure	
Chassis with Natural Finish Panel	HWCHAS1310AL
Chassis with Satin Black Panel	HWCHAS1310BK
ACCESSORIES	
Natural Finish Panel	HW1310ALPL
Satin Black Panel	HW1310BKPL

HAMMOND MANUFACTURING™
HWCHAS1310
www.hammondmfg.com

Dimensions:
mm
[inches]