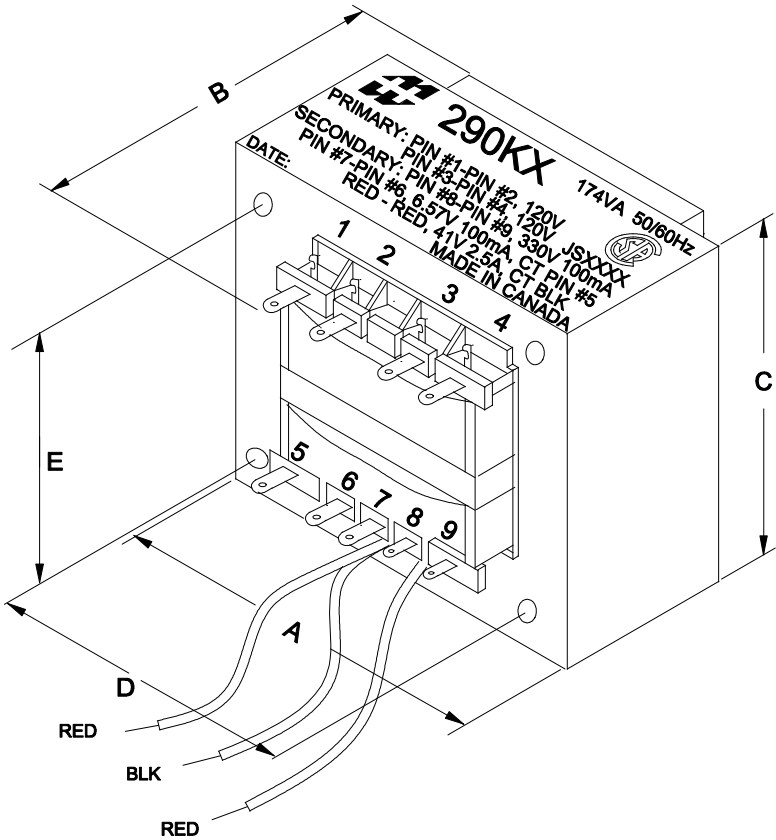
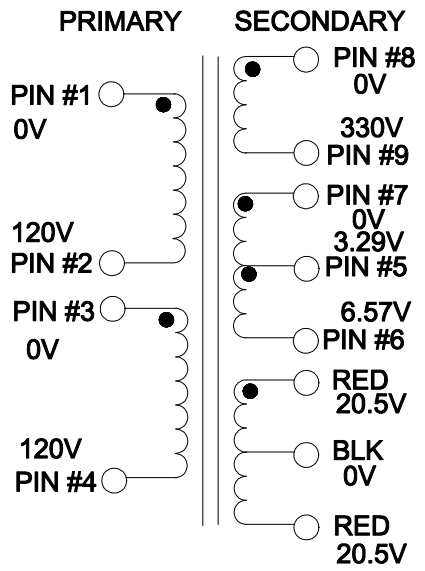


290KX



DIMENSIONS:

A	3.780" ±0.063
B	4.050" ±0.063
C	3.160" ±0.063
D	3.150" ±0.063
E	2.520" ±0.063
G	0.215" ±0.010



ELECTRICAL DATA:

Turns ratio:	1 : 2.88 (PIN8 - PIN9)
Exciting Current	@ 120V, 60Hz, Pin 1 - Pin 2 = 193mA Max.
DCR	@ 25C, Pin 1 - Pin 2 = 3.36 Ω ±20%
	@ 25C, Pin 3 - Pin 4 = 3.80 Ω ±20%
	@ 25C, Pin 8 - Pin 9 = 20.1 Ω ±20%
	@ 25C, Pin 7 - Pin 6 = 0.04 Ω ±20%
	@ 25C, RED - RED = 12.0 Ω ±20%
Pri. Voltage	120V / 120V 50/60Hz
Sec. Voltage (RMS)	330V @ 100mA / 41VCT @ 100mA / 6.57VCT @ 2.5A
No Load Voltage	345V / 6.91V / 43.46V

HAMMOND ELECTRONICS
 52 RANKIN PLACE,
 WATERLOO, ONTARIO, N2L 3Z5.
 PHONE (519) 886-6181
 FAX # (519) 886-9540

TITLE		POWER TRANSFORMER	
		DR BY	IOAN POP
1	08/11/09	PRELIMINARY.	I.P. DATE 05/12/09
NO	DATE	REVISION	DIM IN(X)MM()

290KX