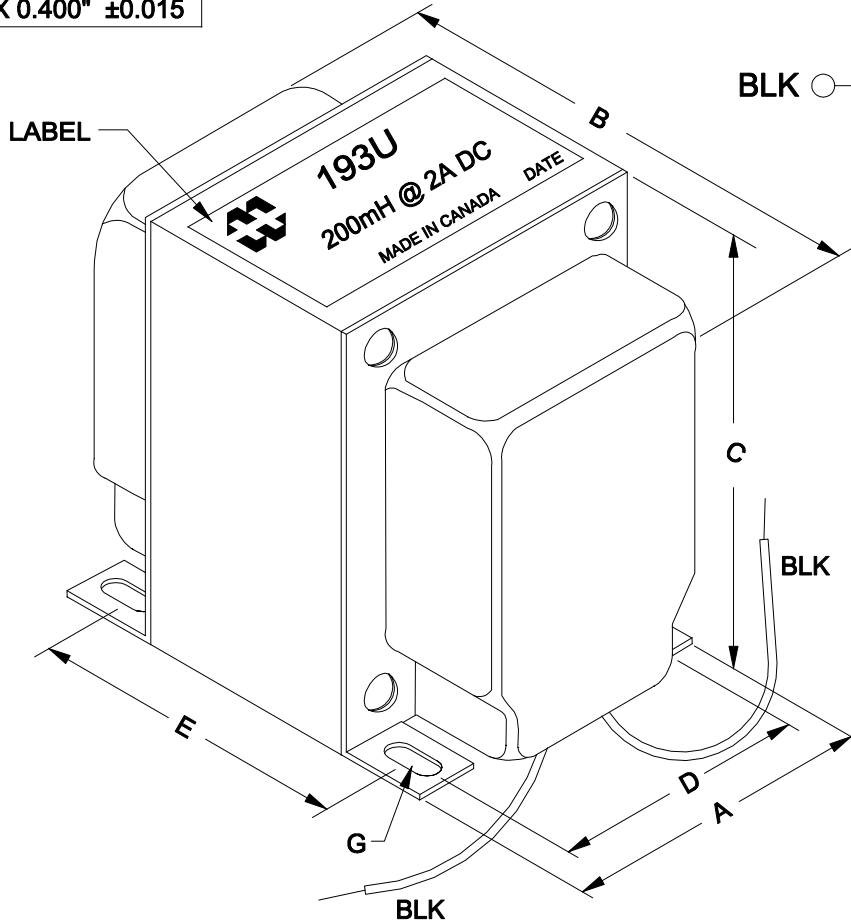
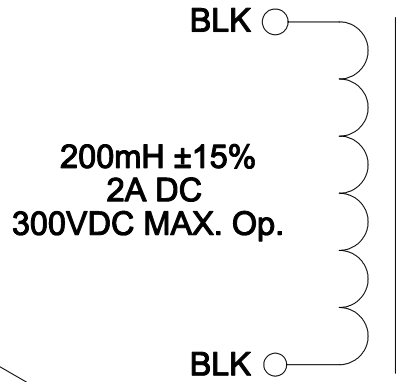


| DIMENSIONS: | |
|-------------|------------------------|
| A | 3.125" ±0.063 |
| B | 4.185" ±0.125 |
| C | 3.810" ±0.063 |
| D | 2.500" ±0.063 |
| E | 2.938" ±0.063 |
| G | 0.203" X 0.400" ±0.015 |



NOTE: ALL LEADS 8" OUT MIN., STRIPPED .5"

| ELECTRICAL DATA: | | |
|------------------|------------------------------|---------------------|
| TESTS | CONDITIONS | ACCEPTANCE CRITERIA |
| INDUCTANCE | @ 3V, 60Hz, 2A DC, BLK - BLK | 200mH ±15% |
| DCR | @ 20°C, BLK - BLK = | 1.60 Ω ±15% |
| HIPOT | PRIMARY - SECONDARY | 2000V, 60Hz, 1 SEC |

HAMMOND
MANUFACTURING™

ELECTRONIC DIVISION
52 RANKIN PLACE,
WATERLOO, ONTARIO, N2J 3Z5
PH # (519) 886-6181
FAX # (519) 886-9540

TITLE

INDUCTOR

| NO | DATE | REVISION | DWG. BY |
|----|----------|-----------|----------------|
| 0 | 10/17/16 | RELEASED. | C.I. |
| | | | DATE |
| | | | 10/17/16 |
| | | | DIM IN(X)MM() |

193U