

# FURUTECH

PURE TRANSMISSION



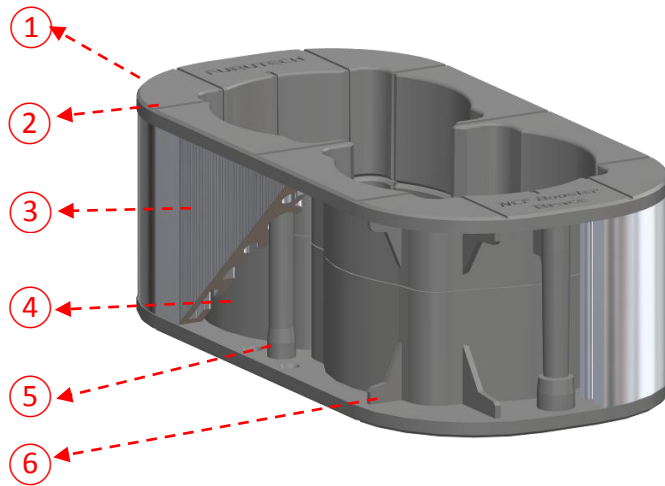
## NCF Booster-Brace

*FURUTECH original design --- Hybrid multi-material construction for improved sound quality  
Not a Sound Enhancer – A Sound revealer!*

### **Nano Crystal<sup>2</sup> Formula (NCF).**

Incorporated into selected Furutech products, NCF features a special crystalline material that has two 'active' properties. First, it generates negative ions that eliminate static. Second, it converts thermal energy into far infrared. Furutech combines this remarkable material with nano-sized ceramic particles and carbon powder for their additional 'piezoelectric effect' damping properties. The resulting Nano Crystal<sup>2</sup> Formula is the ultimate electrical and mechanical damping material. Created by Furutech, it is found exclusively in Furutech products.

**Features and Materials:**






1. **NCF (multi-material hybrid structure):** NCF formulated nylon resin (Body).
2. **Anti-vibration grooves:** suppresses surface vibration.
3. **Housing:** Special blasted and anodized aluminum alloy.  
Internal structure designed to damp resonance and improve sound.
4. **Air chamber:** Internal air pressure suppresses vibration.
5. **Vibration radiating NCF pillar.**
6. **Vibration suppression wall (NCF damping wall):** elimination of resonance.

Overall Dimensions: W 54 X L 106 X H 35mm approx.

Net Weight: 100g approx.

Attached with special adhesive double-sided tape: strong adhesion with no residual glue.

<b>Accessories</b>	
	Special adhesive double-sided tape (4 spare pieces included)
<b>Brace body adhesive position fixing auxiliary parts</b>	
Parts (1) 	Parts for setting EVA block position (2 Pcs)
Parts (2) 	EVA block for setting Brace (body) position (Included in package)

Product name	Product Introduction	Jan Code
<b>NCF Booster-Brace</b>	NCF Connector Support	<b>4580370443912</b>

All metallic parts are treated by \***FURUTECH**  $\alpha$  (Alpha) Process (Super Cryogenic & Demagnetize Treatment .)

**FURUTECH CO., LTD.**    [service@furutech.com](mailto:service@furutech.com)

 **NCF**<sup>®</sup> is a registered trademark of Furutech Co., Ltd. Japan