

FURUTECH

PURE TRANSMISSION



Make A More Powerful Connection With
Furutech Pure Transmission Technology



*Furutech High Performance
Binding Posts*

*Premier Performance and
Legendary Build Quality*

Furutech High Performance Binding Posts FP-803(G)

All audiophiles search for the same qualities: Verisimilitude to the original event, a sense of engagement promoting suspension of disbelief, a visceral immersion in the audio video experience. They also know that everything in the signal path makes a difference, and that includes speaker binding posts.

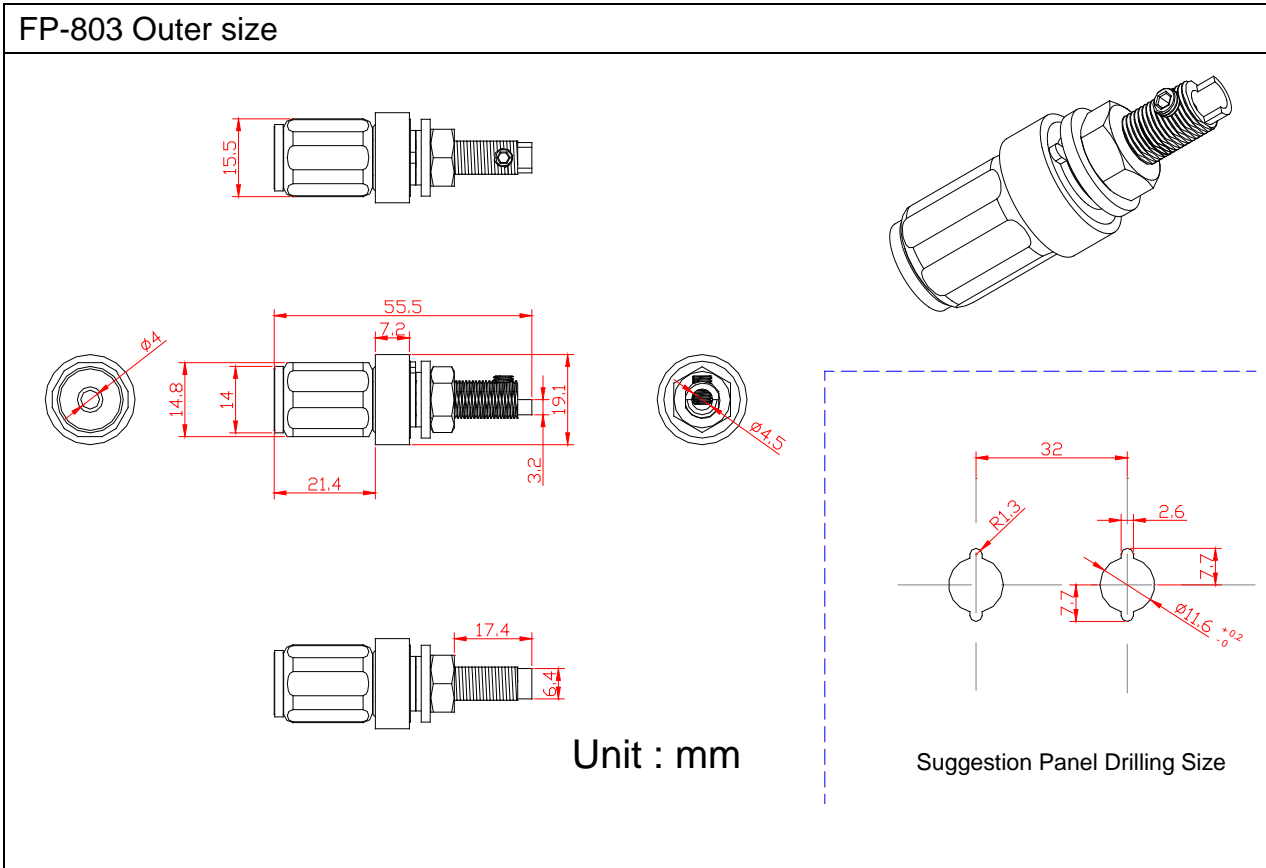
Furutech's beautifully finished, beautiful sounding Binding Posts are the result of meticulous engineering and careful audition of various suitable materials. The FP-803 features α (Alpha) phosphor bronze conductors for minimal impedance and nonresonant matte black finished eutectic copper alloy housings.

Features and Materials

- Main conductor: α (Alpha) Phosphor bronze conductor 24k Gold plated
- Housing: Fog black finished eutectic copper alloy
- Nylon (red/white) and Polycarbonate (clear) insulation
- Connections: Soldered or set-screw
- Specified for core diameters up to 4.5mm

Dimensions: Housing: 15.5 ϕ x 21.4mm (H) overall height
Insulation: Polycarbonate (Clear) 19.1 ϕ \pm 0.2mm x 7.2mm(H),
Total overall length: 55.5 mm approx.

FP-803(R)---- Rhodium plated version by request



Make a More Powerful Connection with Furutech!

FURUTECH CO., LTD • service@furutech.com • www.furutech.com



- Reference III Wins Absolute Sound Editors' Choice '07/'08
- Ag-12 Phono Cable Wins Tone Audio's Exceptional Value Award '08
- HDMI xv1.3 Digital Cable Wins Positive Feedback's Brutus Award '08
- Monza LP Stabilizer/Weight Wins Positive Feedback's Brutus Award '09
- Select Series Fuses Win Positive Feedback's Brutus Award '09

