



FURUTECH

PURE TRANSMISSION



*Refinement Has a New
Name... the Furutech
Torque Guard FT-818
Binding Posts*

*Premier Performance and
Legendary Build Quality*

Furutech Torque Guard AMP Binding Posts Model FT-818 **FTECH-74291**

All audiophiles search for the same qualities: Verisimilitude to the original event, a sense of engagement promoting suspension of disbelief, a visceral immersion in the audio video experience. They also know that everything in the signal path makes a difference, and that includes speaker binding posts.

This critical connection often proves the weakest link in the quest for tight, low-distortion signal. Change your cables a few times and speaker binding posts can loosen. It's bad enough in modestly-priced speakers where the simple remedy is to unscrew the back plate and tighten the offending nut. With expensive stand-mounted monitors take the risk? The Torque Guard binding post sits at the very highest rung of build quality and musical performance, maintaining the tightest, most noise-free and undistorted signal path possible.

Furutech's beautifully finished, beautiful sounding Torque Guard Binding Posts are the result of meticulous engineering and careful audition of various suitable materials. The FT-818 features an (Alpha) pure copper conductors for minimal impedance and substantially-built extremely nonresonant carbon fiber, nonmagnetic stainless steel and eutectic copper alloy housings. The unique patent-pending Torque Guard technology, which prevents over-tightening, allows each post to be evenly tightened for improved channel balance and signal transfer.

Features and Materials

- Patent-pending Torque Guard construction
- Main conductor: α (Alpha) Pure Copper conductor Rhodium
- Housing: Carbon fiber, nonmagnetic stainless, eutectic copper alloy
- Nylon (red/white) and Polycarbonate (clear) insulation
- Connections: Soldered or set-screw
- Specified for core diameters up to 4.5mm

Dimensions: Housing: 25.0 ϕ x 30.2mm (L) x 37.4mm overall height

Insulation: Polycarbonate (Clear) 19.1 ϕ \pm 0.2mm

Total overall length: 65.5 mm approx.

Toll Free: 1-866-681-9602 • Local: 905-681-9602 • Fax: 905-631-5777

Shipping Address: 5109 Harvester Rd, Unit B2 • Burlington • Ontario • Canada • L7L 5Y4

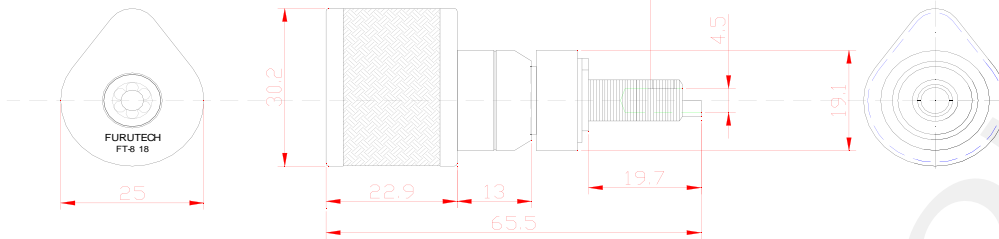
Website: www.partsconnexion.com • Email: info@partsconnexion.com

PARTS CONNECTION

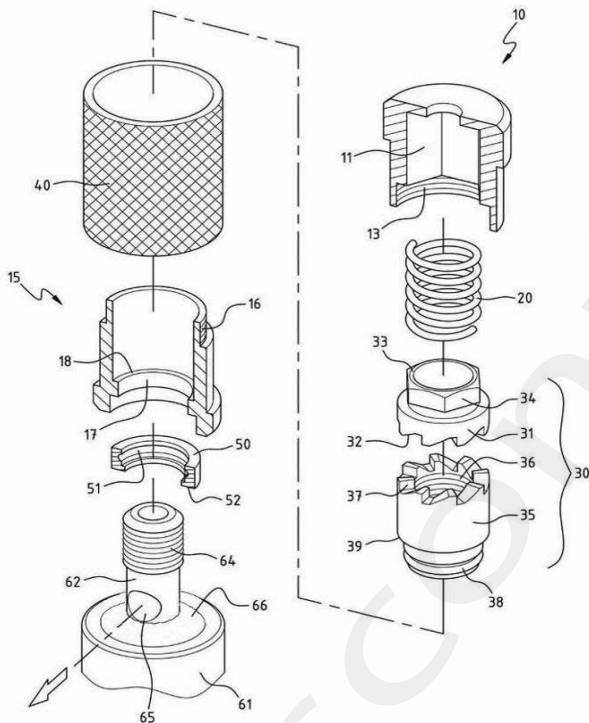


FT-818 Outer Size

M8, P 0.75



Patent-pending ratcheting construction shown below



Exploded view

(20) Torque Spring

(30) The toothed surface moves the connector and if going beyond the Torque Spring's rating, the binding post no longer tightens.

