

PARTS CONNEXION



# FURUTECH

PURE TRANSMISSION

**High End Performance RCA Terminal Sockets FP-901(G) FP-901(R)**  
(2pcs/set)



FTECH-71068  
FTECH-71069

**Dimensions:**

Housing: 16mm diameter x 19.5mm length (Black)

Mounting Insulation: Nylon (Red/White) 17.3mm diameter x 7.3mm thick, 39.0mm overall length

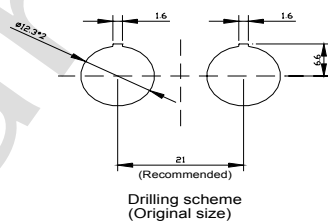
**FP-901 (G) FP-901 (R) Red and White Non-magnetic 24k Gold or Rhodium -Plated Conductor**

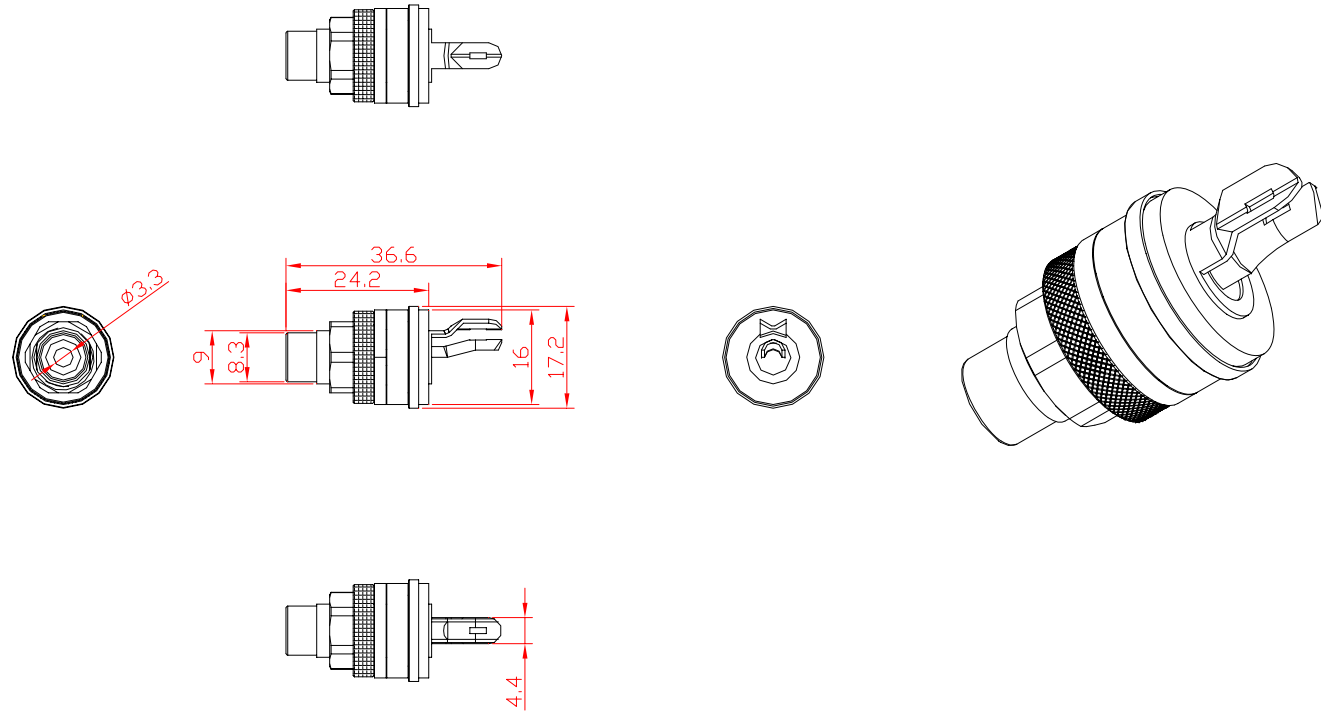
**Features:**

- Positive/Hot Center Pin: Milled from a single piece of  $\alpha$  (Alpha) pure copper conductor with phosphor bronze locking ring
- Negative/Cold Conductor: Milled from a single piece of  $\alpha$  (Alpha) pure copper conductor
- Non-magnetic 24k gold or Rhodium-plated materials
- Eutectic Copper Alloy housing (painted black) and 24k gold or rhodium plated nut cap
- Mounting Materials: Nylon (red or white /outer) and PETF Teflon (white/inner) insulation
- Mounting Insulation accommodates chassis panels of any thickness
- Connection Type: Soldered



Panel Cut-out Size  
for RCA socket FP-901 series





Unit : mm

DATE	DRAWING	COMPANY	TITLE	SCALE	DRAWING'S NO.
2006.10.31	Hayashi	FURUTECH CO., LTD.	RCA Socket FP-90 1series		