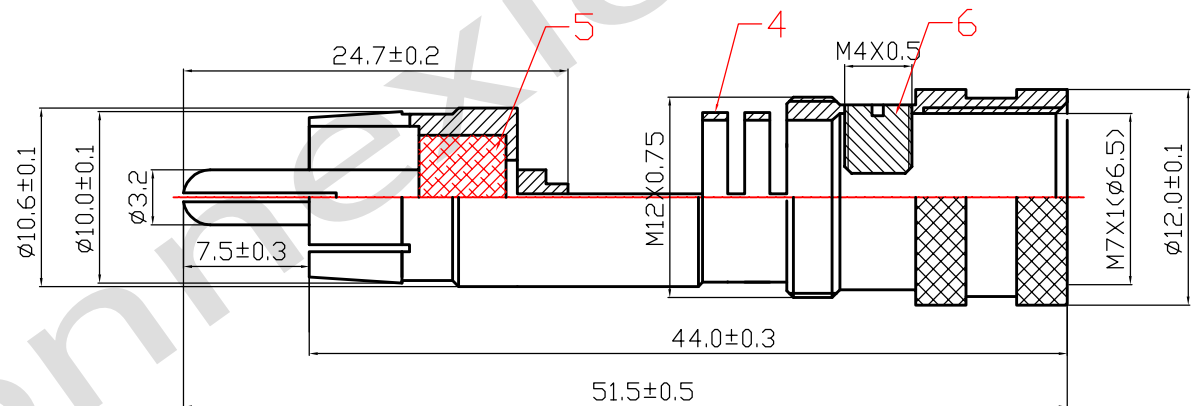
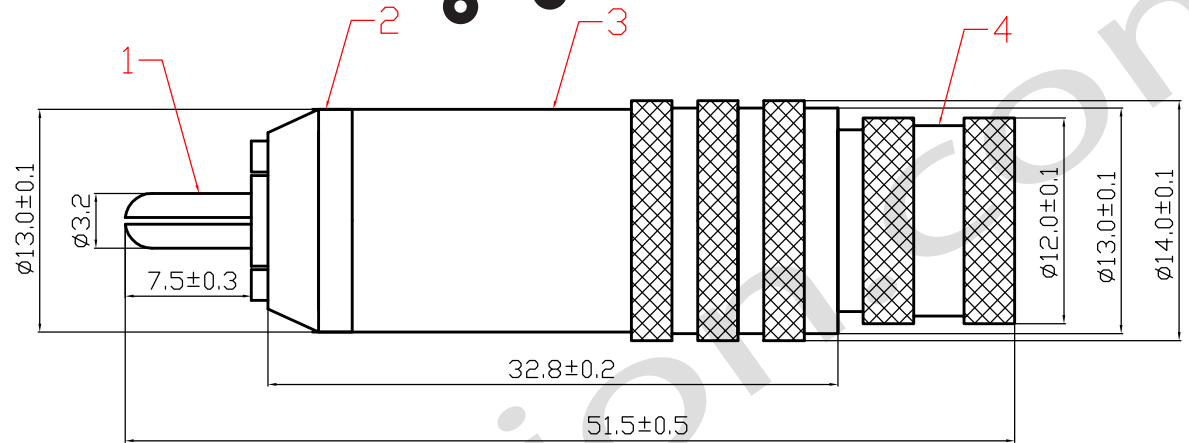


PARTS CONNECTION



CONNEX-53455



ELECTRICAL CHARACTERISTIC

- ① CONTACT RESISTANCE: $\leq 20m\Omega$ MAX
- ② INSULATION RESISTANCE: $\geq 100M\Omega$ Min
- ③ WITHSTAND VOLTAGE: DC200V
- ④ CURRENT RATING: 1A/DC200V
- ⑤ OPERATING TEMPERATURE: $-30^{\circ}C \sim 60^{\circ}C$

6	SCREW	BRASS
5	DIELECTRIC	POM
4	BODY	BRASS
3	SHELL	BRASS
2	FERRULE	BRASS
1	PIN	BRASS

ITEM	DESIGNATION	MATERIAL	TOLERANCE	SIGNATURES	DATE		
			0 - 10 ±0.05 10 - 99 ±0.5 100 - 999 ±10.0 1000 - 9999 ±100.00 10000 - 99999 ±1000.00	DRAFT:			
				CHECKED:			
REV	PART NO. & SAMPLE NO.	DATE	BY	APPROVAL:		TITLE	RCA Phone Plug, Solder Type Tin Plated-Nickel Handle For 8-9mm Cable
A	JR 0531						
B						CUSTOMER	

Toll Free: 1-866-681-9602 • Local: 905-681-9602 • Fax: 905-631-5777

Shipping Address: 5109 Harvester Rd, Unit B2 • Burlington • Ontario • Canada • L7L 5Y4

Website: www.partsconnexion.com • Email: info@partsconnexion.com