



VACUUM TUBE SOCKETS

(VT9 SERIES)

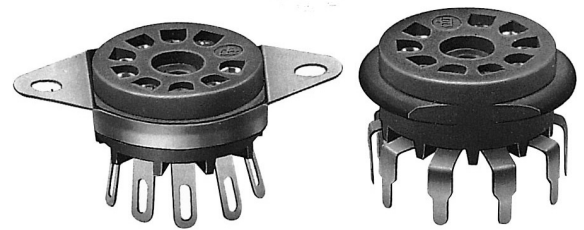
9 Pin Miniature Conventional Wiring and PCB Type Socket

Features

- With panel saddle mounting
- Phosphorous bronze pin terminal with tin plating
- Glassfiber filled PPS Insulating material
- Easy mount with collar attached socket

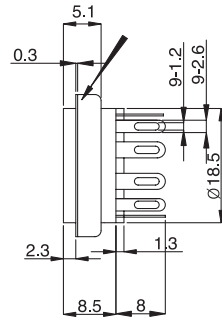
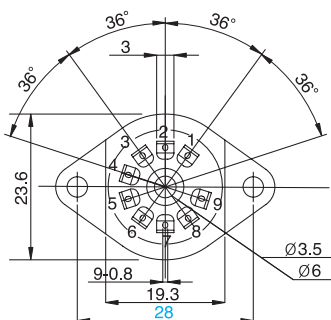
Applications

- Applicable to all types of electric and electronic equipments using vacuum tube

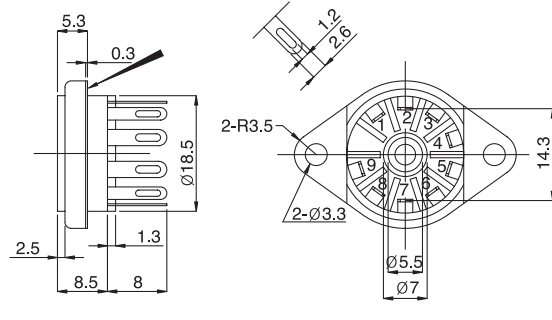


Dimensions

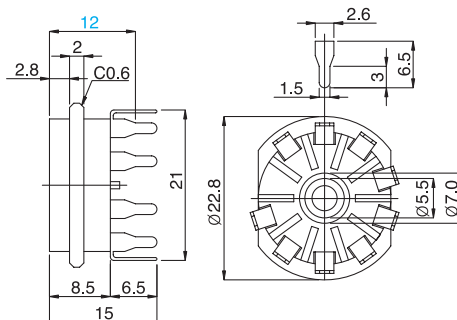
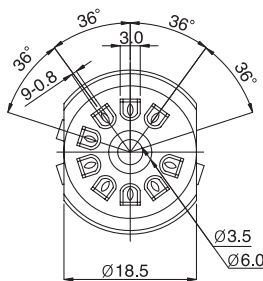
VT9-ST-1



VT9-ST-2



VT9-PT



P.C.B Mounting Hole

