

Description

Mechanical structure :

The body was designed as hollow and lathed process in one piece.

The body is fixed tightly with the POM on front and back.

The binding post is assembled from outside of the panel through the opening gap, tighten by Nylon washer and Hex nut.

The special designed of arc concave can increase the contacting density with bare wire.

Knob use latch mode to keep POM and inner recesses aligned for better adaptation.

All metal and components that contact with the panel all are insulated with the body of the plug.

The rings is fixed temporary by screw, it also be able to take out to solder or keep screwing directly.

Note :

The product is suitable with bare wire (D4.0mm), banana plug and cable terminal (6/8mm opening gap) with screw /plug in type.

The product is suitable for panel, for detail dimension, please refer pictures.

The products is suitable for the maximum 10mm thickness of the panel.

The torque for the nut on this product can be reach to maximum 8 (lb-in).

The torque for the back sleeve can be reach to maximum 6 (lb-in).

Please noted, it will cause component damage if force to lock tighten too much.

Assembly :

1.Remove the nut[131] and washer [141]

2.1.For solder type: please remove the ring and the screw first. [111]

2.2.For screw type: please remain the ring and the screw. [111]

3.Please put the body through the plate opening gap from the outside of plate.

4.Please lock the nut[131] and washer [141] to the body, no need to fasten them in order to fine tuning later.

5.1.For solder type: please solder the cable(without jacket)

5.2.For screw type: please lock the cable (without jacket) in the ring with a screw[121].

6.please lock the nut[131].



aeeco Binding Post ABI-0611G

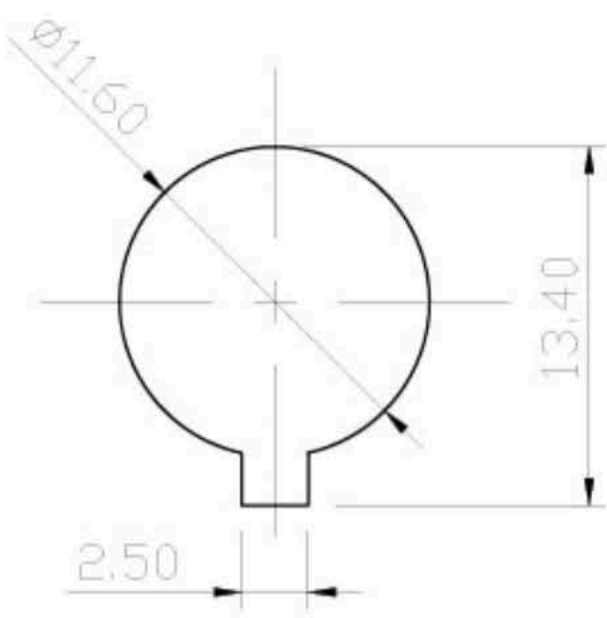


aeeco Binding Post ABI-0611R

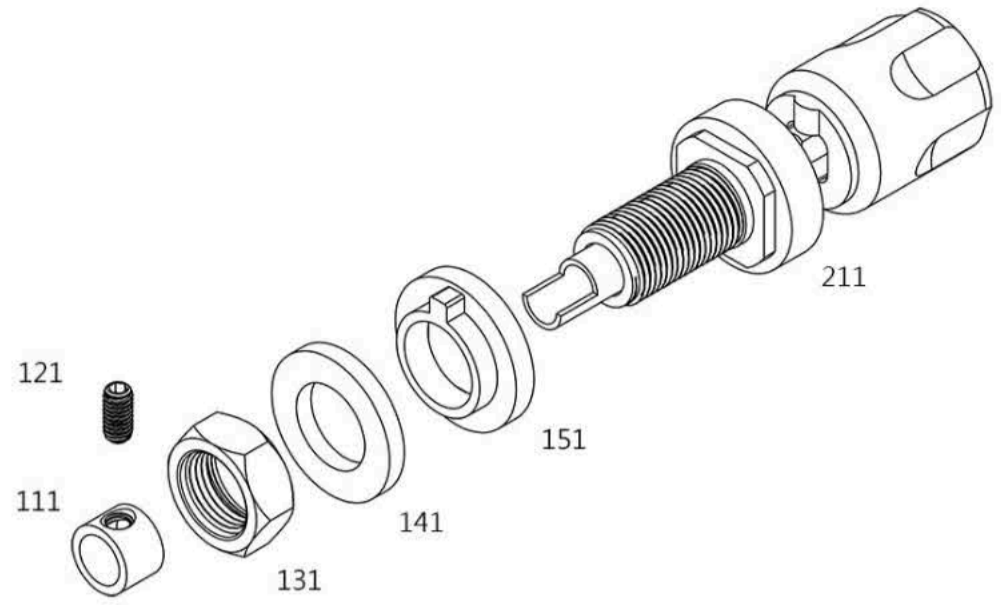


aeeco Binding Post ABI-0611S

screw[121].
6. please lock the nut[131].



Case Hole Dimension



Material:

Body: Tellurium Copper (#C14500 / copper contain over 99%)
Ring: Brass
Screw: Brass
Shell: POM (Black)
Washer: PE (Red/ White)
Nut: Brass
Knobs: Brass

Finish:

ABI-0611

Body: 10u" Gold plating (no nickel base)
Ring: 3u" Gold plating (no nickel base)
Screw: 3u" Gold plating (no nickel base)

ABI-0611R

Body: Rhodium plating (no nickel base)
Ring: 120u" Silver plating (no nickel base)
Screw: 120u" Silver plating (no nickel base)

ABI-0611S

Body: 120u" Silver plating (no nickel base)
Ring: 120u" Silver plating (no nickel base)
Screw: 120u" Silver plating (no nickel base)

Shell: None
Washer: None
Nut: Satin nickel + topcoat
Knobs: Satin nickel + topcoat

Electrical Characteristics:

Contact resistance < 0.2 mOhm (It was test by ABP-1111.)

Dimension:

Biggest OD: 16.5mm
Total Length: 50.0mm