

TEAC

D01388921C

NT-505-X

ENGLISH

FRANÇAIS

ESPAÑOL

USB DAC/ Network Player

For information about this unit's network functions, see the TEAC HR Streamer User's Manual.

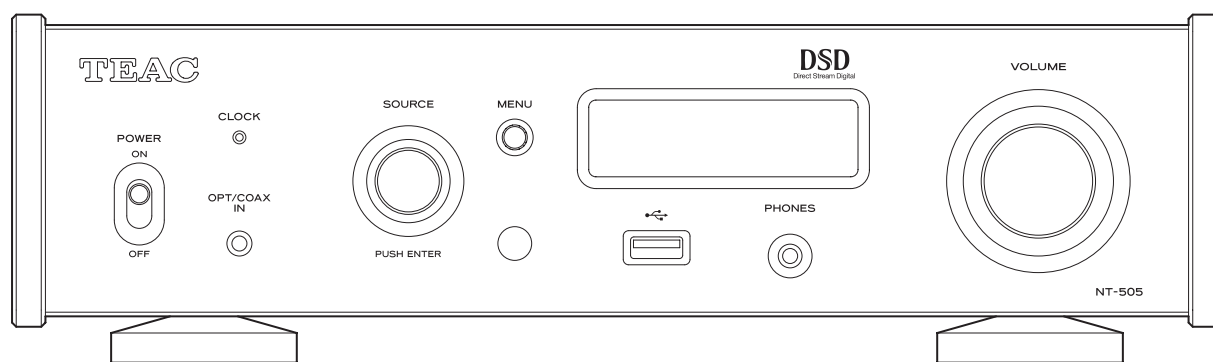
The Owner's Manual and TEAC HR Streamer User's Manual can be downloaded from the TEAC International Site (<https://teac.jp/int/>).

To use network functions and USB flash drive playback, you must also use a tablet or smartphone that has the TEAC HR Streamer app (free) installed and is connected to the same network as the unit.

OWNER'S MANUAL

MODE D'EMPLOI

MANUAL DEL USUARIO



DSD
Direct Stream Digital

MQA

roon
ready

Bluetooth

Qualcomm
aptX™ HD

LDAC

IMPORTANT SAFETY INSTRUCTIONS



The lightning flash with arrowhead symbol, within an equilateral triangle, is intended to alert the user to the presence of uninsulated "dangerous voltage" within the product's enclosure that may be of sufficient magnitude to constitute a risk of electric shock to persons.



The exclamation point within an equilateral triangle is intended to alert the user to the presence of important operating and maintenance (servicing) instructions in the literature accompanying the appliance.

WARNING: TO PREVENT FIRE OR SHOCK HAZARD, DO NOT EXPOSE THIS APPLIANCE TO RAIN OR MOISTURE.

CAUTION

- DO NOT REMOVE THE EXTERNAL CASES OR CABINETS TO EXPOSE THE ELECTRONICS. NO USER SERVICEABLE PARTS ARE INSIDE.
 - IF YOU ARE EXPERIENCING PROBLEMS WITH THIS PRODUCT, CONTACT THE STORE WHERE YOU PURCHASED THE UNIT FOR A SERVICE REFERRAL. DO NOT USE THE PRODUCT UNTIL IT HAS BEEN REPAIRED.
 - USE OF CONTROLS OR ADJUSTMENTS OR PERFORMANCE OF PROCEDURES OTHER THAN THOSE SPECIFIED HEREIN MAY RESULT IN HAZARDOUS RADIATION EXPOSURE.
- 1) Read these instructions.
 - 2) Keep these instructions.
 - 3) Heed all warnings.
 - 4) Follow all instructions.
 - 5) Do not use this apparatus near water.
 - 6) Clean only with dry cloth.
 - 7) Do not block any ventilation openings. Install in accordance with the manufacturer's instructions.
 - 8) Do not install near any heat sources such as radiators, heat registers, stoves, or other apparatus (including amplifiers) that produce heat.
 - 9) Do not defeat the safety purpose of the polarized or grounding-type plug. A polarized plug has two blades with one wider than the other. A grounding type plug has two blades and a third grounding prong. The wide blade or the third prong are provided for your safety. If the provided plug does not fit into your outlet, consult an electrician for replacement of the obsolete outlet.
 - 10) Protect the power cord from being walked on or pinched particularly at plugs, convenience receptacles, and the point where they exit from the apparatus.

11) Only use attachments/accessories specified by the manufacturer.

12) Use only with the cart, stand, tripod, bracket, or table specified by the manufacturer, or sold with the apparatus. When a cart is used, use caution when moving the cart/apparatus combination to avoid injury from tip-over.



13) Unplug this apparatus during lightning storms or when unused for long periods of time.

14) Refer all servicing to qualified service personnel. Servicing is required when the apparatus has been damaged in any way, such as power-supply cord or plug is damaged, liquid has been spilled or objects have fallen into the apparatus, the apparatus has been exposed to rain or moisture, does not operate normally, or has been dropped.

- The apparatus draws nominal non-operating power from the AC outlet with its POWER or STANDBY/ON switch not in the ON position.
- The mains plug is used as the disconnect device; the disconnect device shall remain readily operable.
- Caution should be taken when using earphones or headphones with the product because excessive sound pressure (volume) from earphones or headphones can cause hearing loss.

CAUTION

- Do not expose this apparatus to drips or splashes.
- Do not place any objects filled with liquids, such as vases, on the apparatus.
- The handle-like parts on the left and right sides of the front panel are decorative. Do not put your fingers through them or use them to carry the unit.
- Do not install this apparatus in a confined space such as a book case or similar unit.
- The apparatus should be located close enough to the AC outlet so that you can easily reach the power cord plug at any time.
- If the product uses batteries (including a battery pack or installed batteries), they should not be exposed to sunshine, fire or excessive heat.
- CAUTION for products that use replaceable lithium batteries: there is danger of explosion if a battery is replaced with an incorrect type of battery. Replace only with the same or equivalent type.

WARNING

Products with Class **I** construction are equipped with a power supply cord that has a grounding plug. The cord of such a product must be plugged into an AC outlet that has a protective grounding connection.

IN USA/CANADA, USE ONLY ON 120V SUPPLY.

⚠ Precautions concerning batteries

Misuse of batteries could cause them to rupture or leak leading to fire, injury or the staining of nearby things. Please read and observe the following precautions carefully.

- Be sure to insert the batteries with correct positive (+) and negative (-) orientations.
- Use batteries of the same type. Never use different types of batteries together.
- If the remote control is not used for a long time (more than a month), remove the batteries to prevent them from leaking.
- If the batteries leak, wipe away the leakage inside the battery compartment and replace the batteries with new ones.
- Do not use batteries of types other than those specified. Do not mix new batteries with old ones or use different types of batteries together.
- Do not heat or disassemble batteries. Never throw batteries into fire or water.
- Do not carry or store batteries with other metallic objects. The batteries could short circuit, leak or explode.
- Never recharge a battery unless it is confirmed to be a rechargeable type.
- Do not expose batteries to extremely low air pressure as it could result in an explosion or leakage of flammable liquids or gases.

Model for USA

Supplier's Declaration of Conformity

Model number: NT-505

Trade name: TEAC

Responsible party: 11 Trading Company, LLC

Address: 3502 Woodview Trace #200 Indianapolis, IN 46268 U.S.A.

URL: <https://11tradingcompany.com/contact-us/>

This device complies with Part.15 of FCC Rules. Operation is subject to the following two conditions: (1) this device may not cause harmful interference, and (2) this device must accept any interference received, including interference that may cause undesired operation.



Information

This equipment has been tested and found to comply with the limits for a Class B digital device, pursuant to Part 15 of the FCC Rules. These limits are designed to provide reasonable protection against harmful interference in a residential installation. This equipment generates, uses, and can radiate radio frequency energy and, if not installed and used in accordance with the instructions, may cause harmful interference to radio communications. However, there is no guarantee that interference will not occur in a particular installation. If this equipment does cause harmful interference to radio or television reception, which can be determined by turning the equipment off and on, the user is encouraged to try to correct the interference by one or more of the following measures:

- Reorient or relocate the equipment and/or the receiving antenna.
- Increase the separation between the equipment and receiver.
- Connect the equipment into an outlet on a circuit different from that to which the receiver is connected.
- Consult the dealer or an experienced radio/TV technician for help.

CAUTION

Changes or modifications not expressly approved by the party responsible for compliance could void the user's authority to operate the equipment.

Model for Canada

Innovation, Science and Economic Development Canada's Compliance Statement:

This Class B digital apparatus complies with Canadian ICES-003.

For European Customers

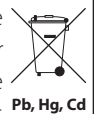
Disposal of electrical and electronic equipment and batteries and/or accumulators

- All electrical/electronic equipment and waste batteries/accumulators should be disposed of separately from the municipal waste stream via collection facilities designated by the government or local authorities.
- By disposing of electrical/electronic equipment and waste batteries/accumulators correctly, you will help save valuable resources and prevent any potential negative effects on human health and the environment.
- Improper disposal of waste electrical/electronic equipment and batteries/accumulators can have serious effects on the environment and human health because of the presence of hazardous substances in the equipment.

d) The Waste Electrical and Electronic Equipment (WEEE) symbols, which show wheeled bins that have been crossed out, indicate that electrical/electronic equipment and batteries/accumulators must be collected and disposed of separately from household waste.



If a battery or accumulator contains more than the specified values of lead (Pb), mercury (Hg), and/or cadmium (Cd) as defined in the Battery Directive (2006/66/EC, 2013/56/EU), then the chemical symbols for those elements will be indicated beneath the WEEE symbol.



e) Return and collection systems are available to end users. For more detailed information about the disposal of old electrical/electronic equipment and waste batteries/accumulators, please contact your city office, waste disposal service or the shop where you purchased the equipment.

IMPORTANT SAFETY INSTRUCTIONS (continued)

Compliance of radio transmitter and interference

This product has the function of broadband transmitter using 2.4GHz Band.

Use frequency range: 2402 MHz – 2480 MHz

Maximum output power: Bluetooth® Class 2 (less than 2.5 mW)

Please use only in the country where you purchased the product.

Depending on the country, restrictions on the use of Bluetooth wireless technology might exist.

Model for USA

Labeling of authorization

FCC ID: XEG-NT505

Model for Canada

Compliance of radio transmitter

This device contains licence-exempt transmitter(s)/receiver(s) that comply with Innovation, Science and Economic Development Canada's licence-exempt RSS(s). Operation is subject to the following two conditions:

- 1) This device may not cause interference.
- 2) This device must accept any interference, including interference that may cause undesired operation of the device.

Labeling of authorization

IC: 1559C-NT505

Model for EEA (European Economic Area)



Hereby, TEAC Corporation declares that the radio equipment type is in compliance with Directive 2014/53/EU, and the other Directives, and Commission Regulations.

Model for UK

Hereby, TEAC CORPORATION declares that the radio equipment type is in compliance with UK Radio Equipment Regulations.



The full text of the EU or UK declaration of conformity is available at the following internet address. Please contact us by e-mail. <https://teacsupport.aqipa.com/>

Radiation Exposure requirements

This equipment meets the regulation, which is recognized internationally, for the case of human exposure to radio waves generated by the transmitter.

Statement of compliance

Model for USA/Canada

This equipment complies with FCC/IC radiation exposure limits set forth for an uncontrolled environment and meets the FCC radio frequency (RF) Exposure Guidelines and RSS-102 of the IC radio frequency (RF) Exposure rules. This equipment has very low levels of RF energy that it deemed to comply without maximum permissible exposure evaluation (MPE). But it is desirable that it should be installed and operated keeping the radiator at least 20 cm or more away from person's body (excluding extremities: hands, wrists, feet and ankles).

Model for EEA and UK

This equipment complies with EN.62479; Assessment of electronic and electrical equipment related to human exposure restrictions for electromagnetic fields.

MQA and the Sound Wave Device are registered trademarks of MQA Limited © 2016

"DSD" is a registered trademark.

The Bluetooth® word mark and logos are registered trademarks owned by Bluetooth SIG, Inc. and any use of such marks by TEAC CORPORATION is under license.

Qualcomm aptX is a product of Qualcomm Technologies, Inc. and/or its subsidiaries.

Qualcomm is a trademark of Qualcomm Incorporated, registered in the United States and other countries. aptX is a trademark of Qualcomm Technologies International, Ltd., registered in the United States and other countries.

Microsoft and Windows are either registered trademarks or trademarks of Microsoft Corporation in the United States and/or other countries.

Apple, Mac, OS X and macOS are trademarks of Apple Inc., registered in the U.S. and other countries.

App Store is a service mark of Apple Inc.

Android is a trademark of Google Inc.

Google Play is a trademark of Google Inc.

LDAC™ and LDAC logo are trademarks of Sony Corporation.

Bulk Pet is a registered trademark of INTERFACE CO., LTD.

Other company names, product names and logos in this document are the trademarks or registered trademarks of their respective owners.

Information about copyrights and licensing related to open-source software is provided in the separate "Important Notice Regarding Software" document.

Contents

Thank you for choosing TEAC.

Read this manual carefully to get the best performance from this unit. After reading it, keep it in a safe place for future reference.

ATTENTION

- For information about this unit's network functions, see the TEAC HR Streamer User's Manual.
- The Owner's Manual and TEAC HR Streamer User's Manual can be downloaded from the TEAC International Site (<https://teac.jp/int/>).
- To use network functions and USB flash drive playback, you must also use a tablet or smartphone that has the TEAC HR Streamer app (free) installed and is connected to the same network as the unit.

IMPORTANT SAFETY INSTRUCTIONS	2
Included accessories.....	5
Before use	6
Maintenance	6
Using the TEAC International Site	6
Downloading the remote app	6
Network connections.....	7
Connections (back).....	8
Connections (front).....	10
Connecting headphones	11
Using the remote control	11
Names and functions of parts (main unit)	12
Upconversion	13
Names and functions of parts (remote control).....	14
Display	15
Basic operation	17
Bluetooth® wireless technology.....	18
Settings	21
Playing back music on a computer.....	25
MQA (Master Quality Authenticated).....	27
Troubleshooting.....	27
Specifications	29

Included accessories

Check to be sure the box contains all the included items shown below.

Please contact the store where you purchased this unit if any of these items are missing or have been damaged during transportation.

Power cord × 1

RCA conversion (RCA to mini plug) cable × 1

Remote control (RC-1330) × 1

Batteries for remote control (AAA) × 2

Pads × 3

Owner's manual (this document, including warranty) × 1

- For information about the warranty, users living in the USA and Canada should see pages 86–87 and the back cover (warranty document). Users living in Europe and other regions should see page 87.
- The TEAC HR Streamer User's Manual can be downloaded from the TEAC International Site (<https://teac.jp/int/>).

Before use

Placement precautions

- Do not install this unit in a location that could become hot. This includes places that are exposed to direct sunlight or near a radiator, heater, stove or other heating equipment. Moreover, do not place it on top of an amplifier or other equipment that generates heat. Doing so could cause discoloration, deformation or malfunction.
- Avoid locations that are extremely cold or exposed to excessive humidity or dust.
- When installing this unit, leave a little space (at least 3 cm or 1") between it and walls and other devices in order to allow good heat dissipation. If you put it in a rack, for example, leave at least 5 cm (2") open above it and at least 10 cm (4") open behind it. Failure to provide these gaps could cause heat to build up inside and result in fire.
- The voltage supplied to the unit should match the voltage printed on the back of the unit. If you are in any doubt regarding this matter, consult an electrician.
- Do not move the unit during use.
- Do not open the body of the unit because this could result in damage to the circuitry or cause electric shock. If a foreign object should enter the unit, contact your dealer.
- When removing the power plug from the wall outlet, always pull directly on the plug; never yank on the cord.

Note about placement

The steel feet are loosely attached to the bottom of the unit, leaving slight gaps. For this reason, the feet will move slightly from the bottom when the unit is lifted.

This unit is designed to rest on the feet when it is placed so that the feet do not apply unnecessary stress to the body.

- The feet will move slightly from the bottom of the unit, but this is not a defect.
- Apply the included pads to the bottoms of the foot-stands to avoid scratching the surface where the unit is placed.


The top panel of this unit is attached with some play.

- The panel will move slightly, but this is not a defect.

Maintenance

Wipe dirt from the top cover and other panel surfaces using a soft cloth that has been slightly dampened with a diluted neutral cleanser.

Do not wipe with chemical cleaning cloths, thinner or other chemical agents. Doing so could damage the surface.

 **For your safety, disconnect the power cord from the outlet before cleaning.**

Using the TEAC International Site

You can download updates for this unit from the TEAC International Site:

<https://teac.jp/int/>

Click Language at the top right of the page and select the desired country or region to access a page in the corresponding language.

Downloading the remote app

To use the network functions and USB flash drive playback functions of this unit, you must also use a smartphone or tablet that has the TEAC HR Streamer app (free) installed and is connected to the same network as the unit.

By installing the app on a tablet or smartphone, you can use it over a wireless network to operate the unit.


- You can download and use the app for free.

Finding the tablet/smartphone app

Search for "TEAC HR Streamer" in the App Store or Google Play Store.



Playing audio files on a USB flash drive connected to the USB port

- 1) Put audio files on the USB flash drive and connect it to the USB port  on the front of the unit.
- 2) Follow the procedures in "Getting started" of the TEAC HR Streamer User's Manual to open the Setup menu.
- 3) In the Music Player section, select TEAC NT-505-X.
- 4) Select Music Library, and then select TEAC NT-505-X USB Music Server.
 - Refreshing the music library could take several minutes if it has many audio files.

This completes the preparation for playing audio files on a USB flash drive connected to the USB port .

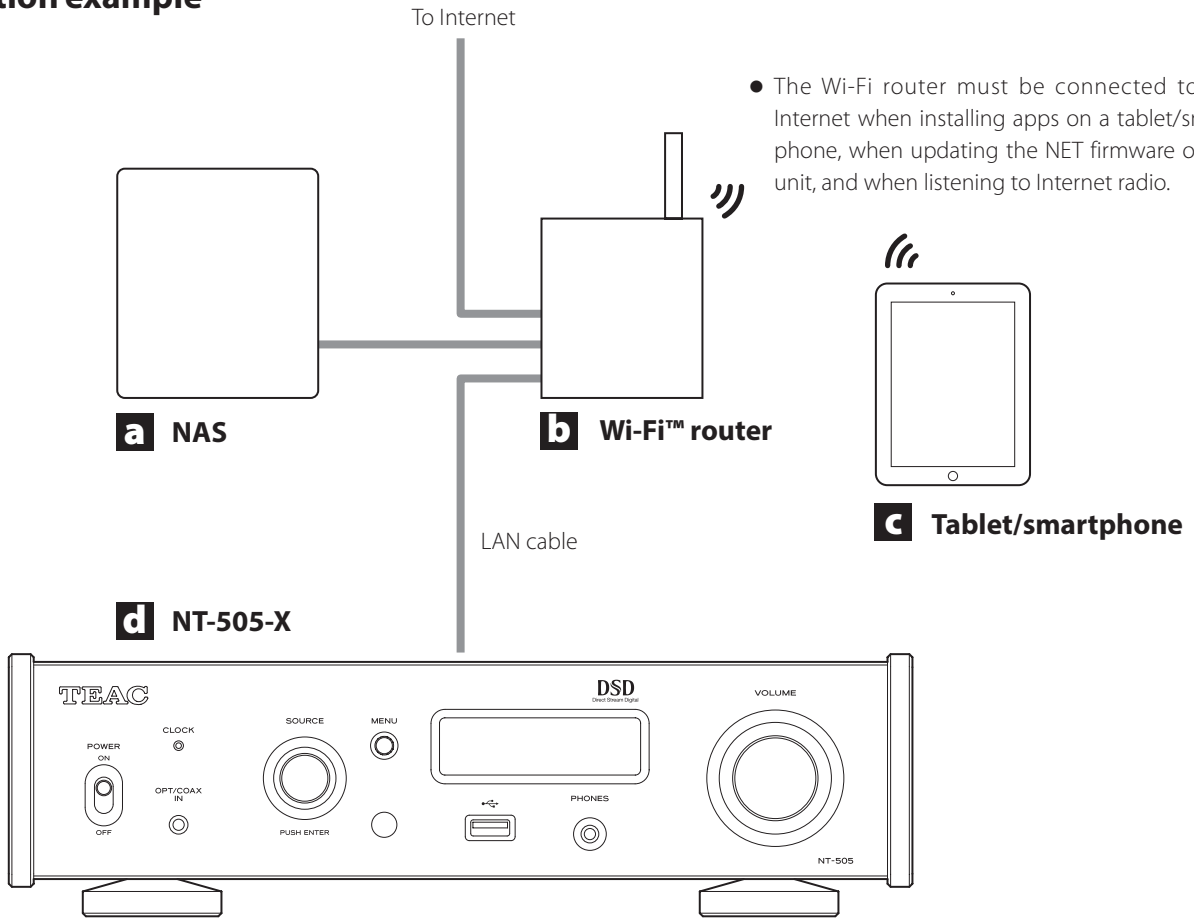
Refer to the TEAC HR Streamer User's Manual to prepare playlists and play audio files.

NOTE

Network module firmware is updated through TEAC HR Streamer. We recommend that you regularly select this unit in TEAC HR Streamer, and update it with the latest firmware.

A pop-up window recommending a firmware update will appear if one is available.

Connection example



- The Wi-Fi router must be connected to the Internet when installing apps on a tablet/smartphone, when updating the NET firmware of this unit, and when listening to Internet radio.

a NAS (Network Attached Storage)

Use to store audio files.
Operation as a UPnP server is necessary to use it as a media server. MinimServer is the media server recommended for use with this unit.

b Wi-Fi™ router

Use Wi-Fi to connect the tablet or smartphone to this unit and the NAS.

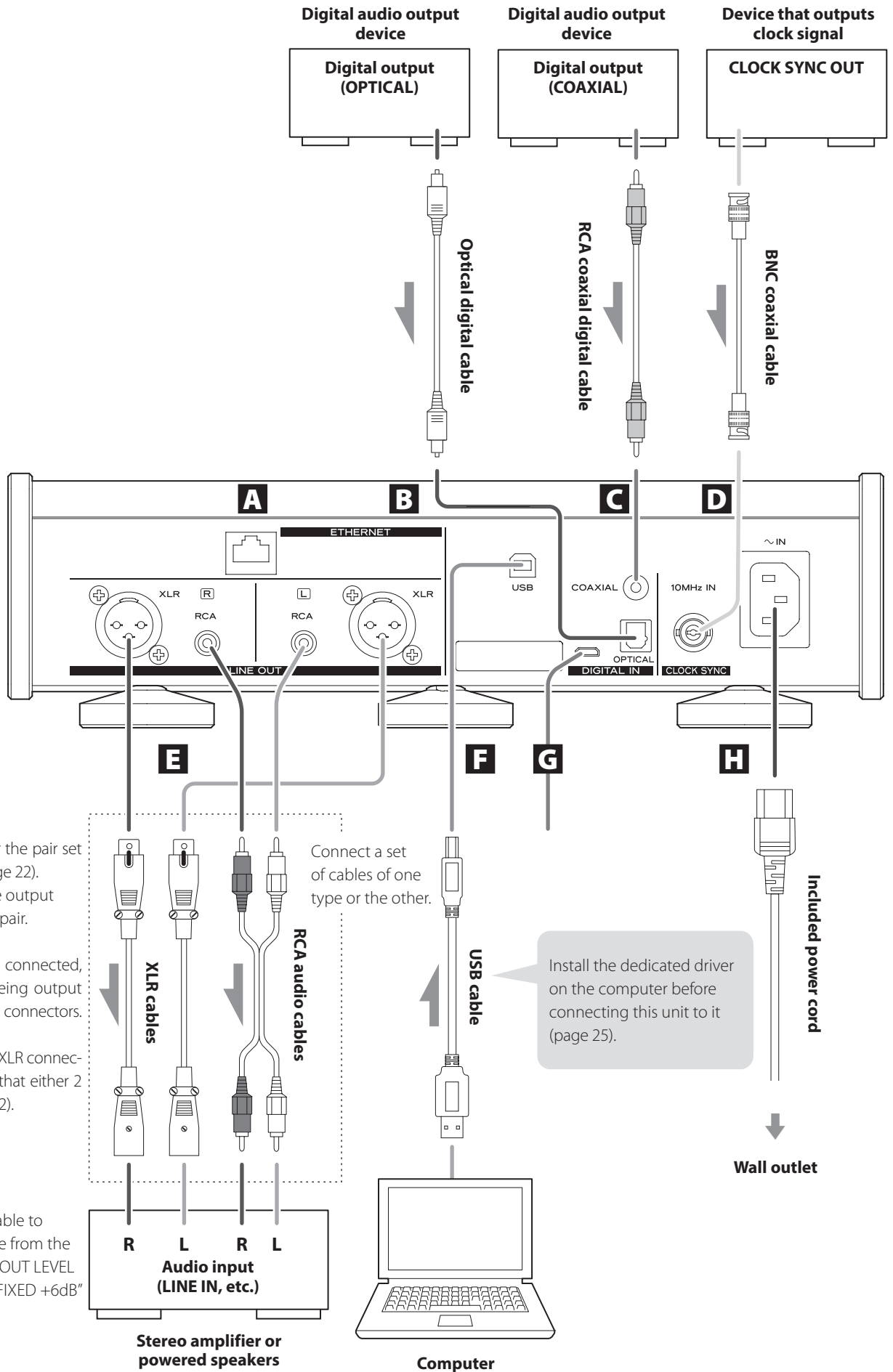
c Tablet/smartphone

Install the app to control this unit.

d NT-505-X

The IP address for this unit is acquired from the DHCP server.

Connections (back)



Connect cables for the pair set for line output (page 22). Sound will only be output from the selected pair.

If headphones are connected, sound will stop being output from the rear panel connectors.

The polarity of the XLR connectors can be set so that either 2 or 3 is HOT (page 22).

If you want to be able to control the volume from the amplifier, set LINE OUT LEVEL to "FIXED 0dB" or "FIXED +6dB" (page 23).

Connect a set of cables of one type or the other.

Install the dedicated driver on the computer before connecting this unit to it (page 25).

A ETHERNET port

Connect a commercially-available LAN cable to this port when you want to connect this unit to a wired network or the Internet.

- When switching input sources, this port is labeled "NET".

B OPTICAL digital audio input connector

Use this to input digital audio. Connect the optical digital audio output connector of an audio device to it.

Use a commercially-available optical digital cable with a square connector (TOSLINK) for connection.

C RCA COAXIAL digital audio input connector

Use this to input digital audio. Connect the coaxial digital audio output connector of an audio device to it.

Use a commercially-available RCA coaxial digital cable for connection.

D CLOCK SYNC input (10MHz IN) connector

Use this to input a synchronization signal (clock sync). To input a 10MHz oscillator signal, connect the oscillator output here (page 29).

Use a commercially available BNC coaxial cable for connection.

- Clock sync is not possible when the input source is Bluetooth.

E Analog audio output (LINE OUT) connectors

These output 2 channels of analog audio. Connect these XLR or RCA connectors to a stereo amplifier or powered speakers.

Use commercially available cables for connections.

XLR: balanced XLR cables
RCA: RCA audio cables

Connect this unit's R connector to the R connector of the amplifier and its L connector to the L connector of the amplifier.

- See "Line output" on page 22 for analog output settings.

F USB port

Use this to input digital audio from a computer. Connect it to a computer's USB port.

Use a commercially-available USB2.0 cable (A-B type) for this connection.

ATTENTION

Before connecting a computer that is running a Windows OS, you must install the dedicated driver on the computer (page 25).

Proper connection is not possible with a computer that does not have this driver installed.

G Maintenance port

This is used for maintenance. Do not connect anything to this port unless instructed to do so by our service department.

H Power inlet (~IN)

Connect the supplied power cord here.

After all other connections are complete, connect the power cord's plug to a wall outlet.

⚠ Do not use any power cord other than the one included with this unit. Use of other power cords could result in fire or electric shock.

⚠ Unplug the cord from the outlet when not using the unit for a long time.

⚠ Complete all other connections before turning the unit on.

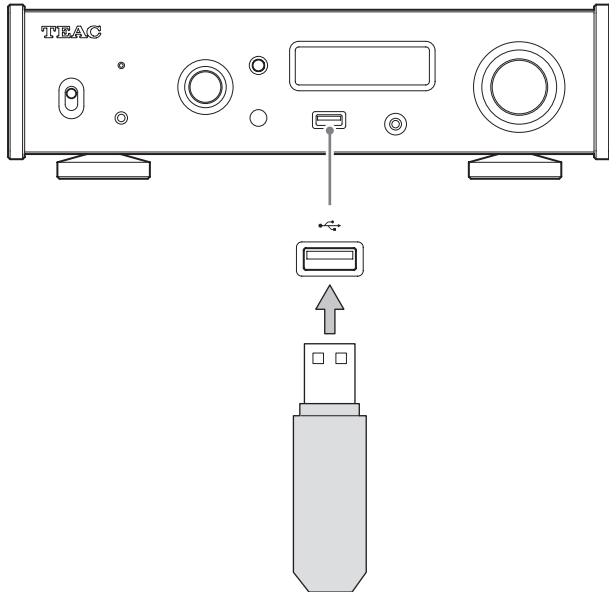
- Carefully read the manuals of the devices that you are connecting and follow their instructions when making connections.
- Do not bundle connecting cables with power cords. Doing so could cause noise.
- Connect all plugs completely.

Connections (front)

USB flash drives

Connect USB flash drives to the USB port on the front of the unit. To play music files on a USB flash drive, set the input source to NET and use the app for playback.

- For details, see the TEAC HR Streamer User's Manual.



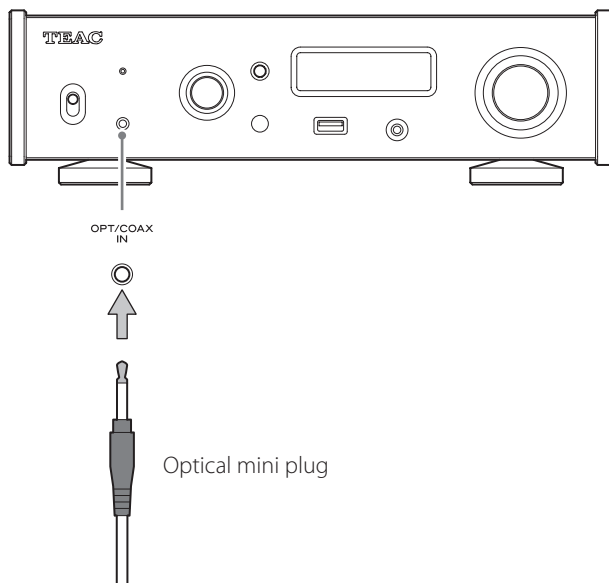
Digital audio input (OPT/COAX IN)

This input connector can be used for both optical (OPT) and coaxial (COAX) connections.

Optical (OPT) connection

Use a commercially-available optical cable with a mini plug.

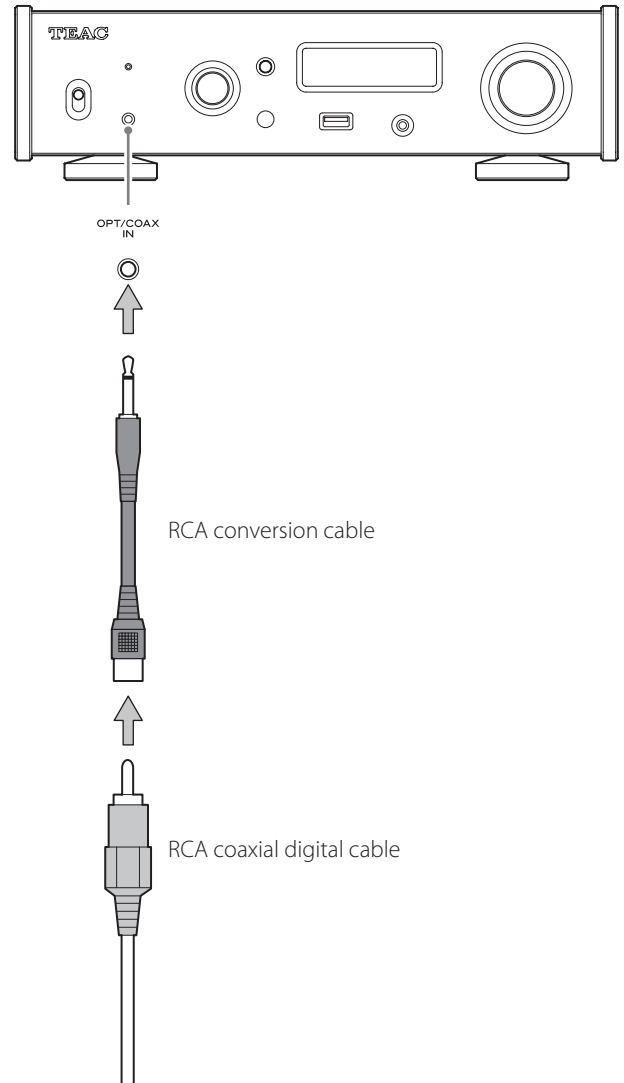
To enable this input, turn the SOURCE knob to select OPTICAL2.



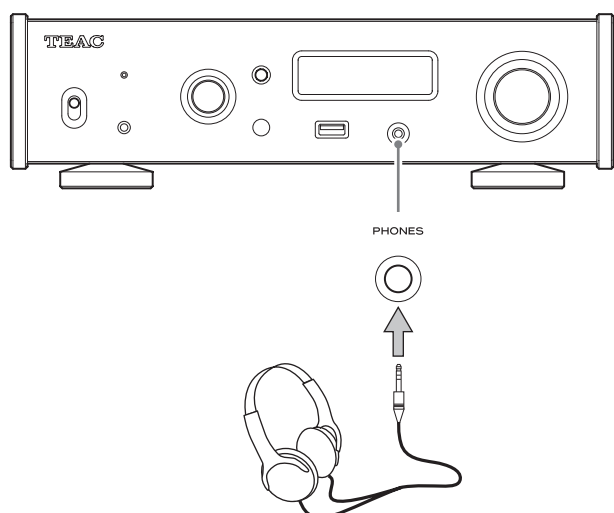
Coaxial (COAX) connection

Use the included RCA conversion cable and a **commercially-available RCA coaxial digital cable**.

To enable this input, turn the SOURCE knob to select COAXIAL2.



Connecting headphones



CAUTION

While wearing headphones, do not connect or disconnect them or turn the unit on or off.

Doing so could result in a sudden loud noise that could harm your hearing.

Before putting headphones on, always set the volume to minimum (display should show "0" when set to "STEP (0-100)" or " $-\infty$ dB" when set to "dB") (page 17).

Using the remote control

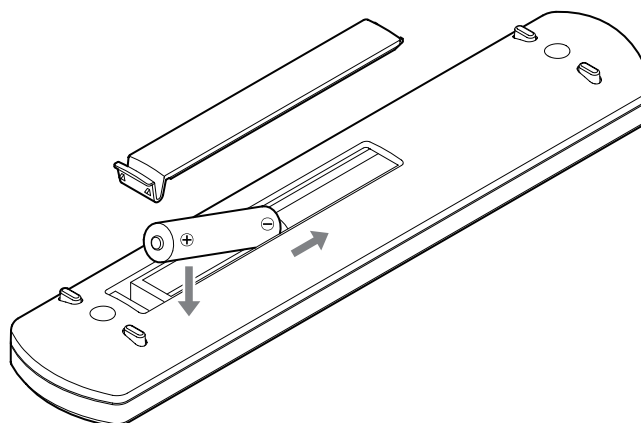
Precautions for use

⚠ Misuse of batteries could cause them to rupture or leak, which might result in fire, injury or the staining of nearby materials. Please carefully read and observe the precautions on page 3.

- When using the remote control, point it toward the remote control signal receiver on the main unit from a distance of 5 m (16 ft) or less. Do not place obstructions between the main unit and the remote control.
- The remote control might not work if the remote control signal receiver on the unit is exposed to direct sunlight or bright light. If this occurs, try moving the unit.
- Beware that use of this remote control could cause the unintentional operation of other devices that can be controlled by infrared rays.

Installing batteries

Remove the cover from the back of the remote control and insert two AAA batteries with their \oplus/\ominus oriented as shown in the case. Replace the cover.

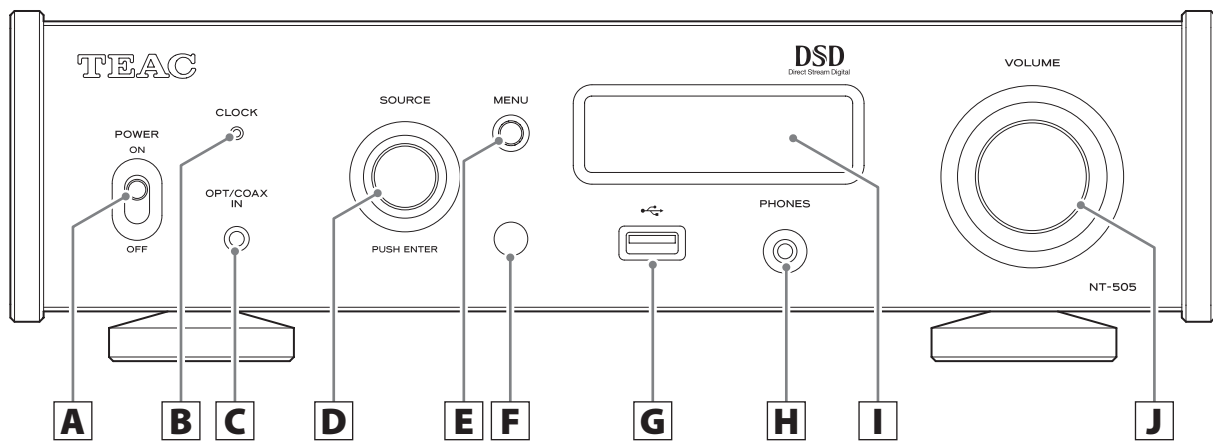


When to replace batteries

If the distance required between the remote and the main unit decreases or if the unit stops responding to the remote buttons, replace both batteries with new ones.

Dispose of the used batteries according to the instructions on them or requirements set by your local municipality.

Names and functions of parts (main unit)



A POWER switch

Use to turn the unit on and off.

- If the display is dark even though the POWER switch is set to ON, the cause is usually one of the following.
 - The power is on, but DIMMER (display brightness) is set to OFF (page 23).
 - The automatic power saving function has put the unit into standby.
 - The power cord is disconnected.

To turn the unit on, press the STANDBY/ON button on the remote control, or set the POWER switch to OFF once and then back to ON.

B CLOCK indicator

This shows the clock synchronization status.

Lit: The unit is synchronized with the clock from the CLOCK SYNC input (10MHz IN) connector.

Blinking: No clock is being input or the unit is not being synchronized.

Unlit: No clock sync is occurring.

- Clock sync is not possible when the input source is Bluetooth.
- See page 22 for clock sync settings.

C Digital audio input (OPT/COAX IN) connector

Use to input digital audio (page 10).

Optical connection: Use an optical cable with a mini plug.

Coaxial connection: Use the included RCA conversion cable.

D SOURCE knob

Use to select the input source.

Use to change setting values when a menu item is shown.

Press to use as an ENTER button.

Turn when the menu is open to change the item shown or the setting value.

E MENU button

Press to enter setting mode (page 21).

Press when in setting mode to return to the previous screen.

F Remote control signal receiver

This receives signals from the remote control. When operating the remote control, point it at the remote control signal receiver.

G USB port ()

Connect USB flash drives here.

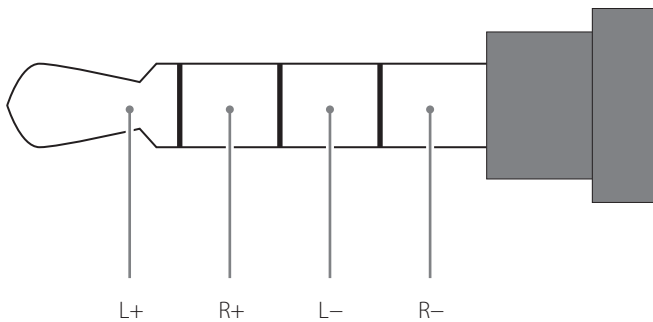
- To play music files on a USB flash drive, set the input source to NET and use the app for playback.
- Do not connect a computer to the USB port on the front of the unit. To input audio from a computer, connect it to the USB port on the back of the unit.
- For details, see the TEAC HR Streamer User's Manual.

H PHONES jack

Connect headphones with a 3.5mm (1/8") stereo mini plug here (page 11).

- This headphone amp circuit uses a four-pole connector with independent left and right for grounding. Ordinary plugs with 3 or 4 poles can be used.
- When headphones are connected to this unit, headphone output will be turned on and audio will stop being output from the analog audio output (LINE OUT) connectors on the back of the unit.

Wiring illustration



I Display

This display shows information about the audio playing back and menu screens.

J VOLUME knob

Use to adjust the volume. Turn right to increase and left to decrease the volume.

- To enable adjustment of this unit's analog audio output volume, set LINE OUT LEVEL to VARIABLE ("Line output level" on page 23). This will enable adjustment of the analog output level using this unit's VOLUME knob.
- Volume settings are retained separately for analog audio output and headphone output.

You can use the upconversion function with all input sources (page 22).

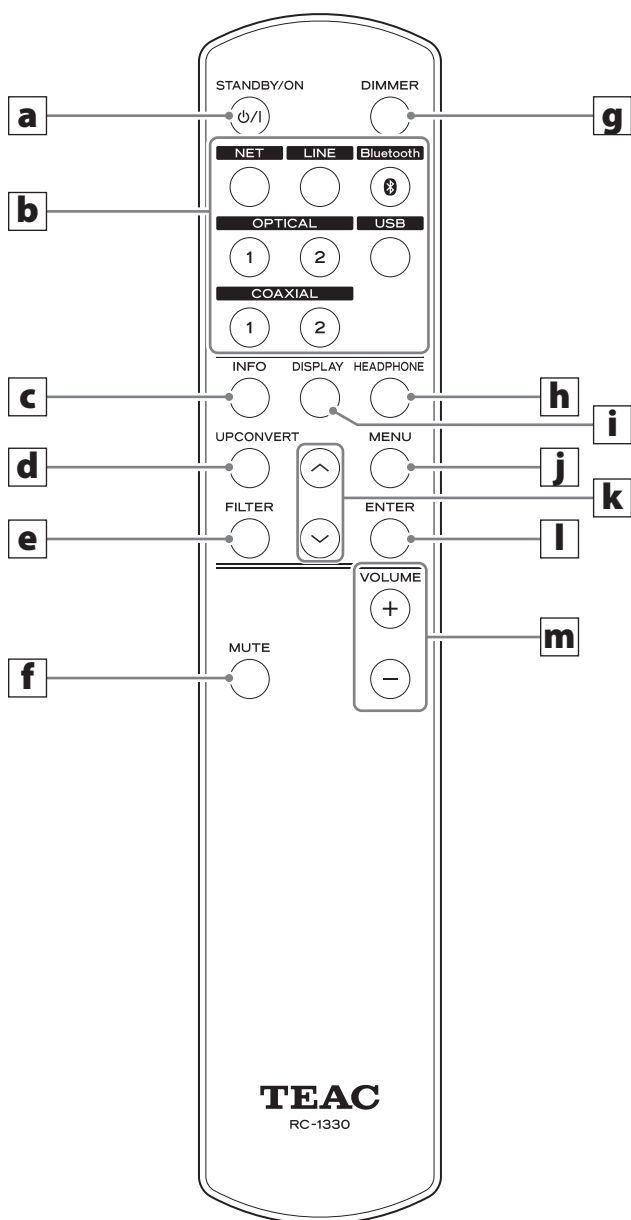
The relationships between input sampling frequencies and sampling frequencies after upconversion are as follows.

Input source		Upconversion setting					
Digital audio input	USB	OFF	2x Fs	4x Fs	8x Fs	DSD 256	DSD 512
Input sampling frequency		Sampling frequency after upconversion					
[kHz]		[kHz]				[MHz]	
32	–	32	64	128	256	8.1	16.3
44.1	44.1	44.1	88.2	176.4	352.8	11.2	22.5
88.2	88.2	88.2	88.2	176.4	352.8	11.2	22.5
176.4	176.4	176.4	176.4	176.4	352.8	11.2	22.5
–	352.8	352.8	352.8	352.8	352.8	11.2	22.5
–	705.6	705.6	705.6	705.6	705.6	11.2	22.5
48	48	48	96	192	384	12.2	24.5
96	96	96	96	192	384	12.2	24.5
192	192	192	192	192	384	12.2	24.5
–	384	384	384	384	384	12.2	24.5
–	768	768	768	768	768	12.2	24.5

 These values are not converted.

- The maximum upconversion is 8x Fs.
- Upconversion is not possible when the input is DSD.
- During MQA playback, 4x Fs upconversion will be used regardless of the setting.

Names and functions of parts (remote control)



a STANDBY/ON button

Press to put the unit into standby mode or turn it on.

b Input selection buttons

Use to select the playback source.

- The LINE button has no function.

c INFO button

Press to show information, including upconversion (page 16).

d UP CONVERT button

Press to change the upconversion setting.

e FILTER button

Press to change the filter setting.
This changes the filter for PCM input.

f MUTE button

Press to minimize the volume.

g DIMMER button

Press to adjust the brightness of the main unit's display.

h HEADPHONE button

Press to turn headphone output on and off.
When headphone output is turned off, sound is output from the analog audio output (LINE OUT) connectors.

i DISPLAY button

j MENU button

Press to enter setting mode (page 21).
Press when in setting mode to return to the previous screen.

k Up/down (^/∨) buttons

Use to select setting items.

l ENTER button

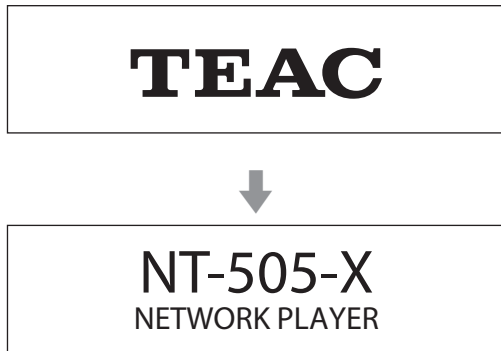
Press to confirm the selected item.

m VOLUME (+/-) buttons

Use to adjust the volume.

When the main unit and the remote control both have buttons with the same functions, this manual explains how to use one of the buttons. The other corresponding button can be used in the same manner.

When on



After the above messages appear, the input source will be shown on the display.

Playback source information

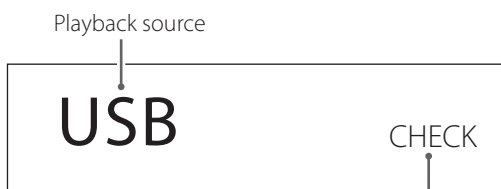
The playback source information display will appear after turning the unit on as well as after about 7 seconds pass without operation when a setting screen is open.

The input signal format or volume is shown to the right of the playback source. Press the DISPLAY button on the remote control to change what is shown.

Display example

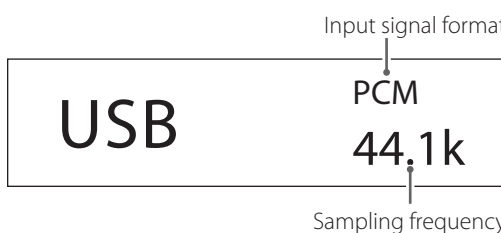
Playback source information displayed

Stopped



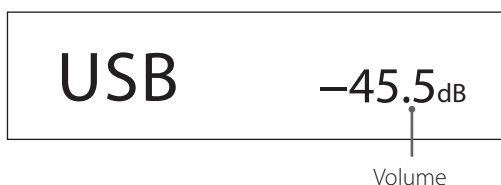
Shown when the connection is being checked

Playing back



Press the DISPLAY button on the remote control.

Volume display



Playback source name

This shows the name of the selected source.

The names on the display correspond to the selected connectors as follows.

The names in parentheses appear when switching.

USB (USB)

USB port on the back of the unit

COAX1 (COAXIAL 1)

RCA COAXIAL digital audio input connector on the back of the unit

COAX2 (COAXIAL 2)

Coaxial connection with the digital audio input (OPT/COAX IN) on the front of the unit

OPT1 (OPTICAL 1)

OPTICAL digital audio input connector on the back of the unit

OPT2 (OPTICAL 2)

Optical connection with the digital audio input (OPT/COAX IN) on the front of the unit

NET (NETWORK)

ETHERNET port

Bluetooth (Bluetooth)

Bluetooth device

Input signal status

This shows the input source signal status.

CHECK

The connection is being checked.

PCM 32kHz

PCM 44.1kHz

PCM 48kHz

PCM 88.2kHz

PCM 96kHz

PCM 128kHz

PCM 176.4kHz

PCM 192kHz

PCM 256kHz

PCM 352.8kHz

PCM 384kHz

PCM 705.6kHz

PCM 768kHz

DSD 2.8MHz

DSD 5.6MHz

DSD 11.2MHz

DSD 22.5MHz

These show the input signal type and sampling frequency.

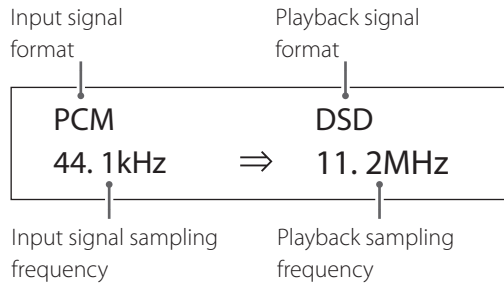
Display (continued)

Playback format information display

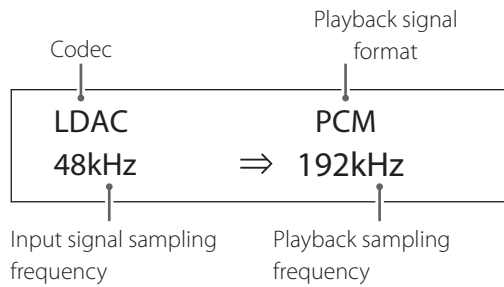
Press the INFO button on the remote control during playback to show playback format information.

Example when the playback source is USB, COAX1, COAX2, OPT1 or OPT2

- The input signal and playback signal displays will be the same when the upconversion setting is "OFF".



Example when the playback source is NET or Bluetooth



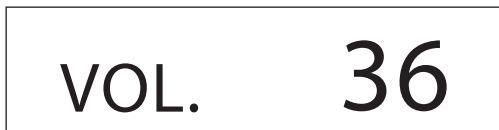
Volume display

Two types of volume can be shown: STEP and dB. This is set by the VOLUME TYPE setting (page 23).

The volume setting shown will be enlarged when you turn this unit's VOLUME knob.

VOLUME TYPE set to "STEP (0-100)"

Display example



The maximum volume level is 100 and the minimum level is 0. Before connecting headphones, set the VOLUME knob to its minimum value (0). Failure to do so might cause sudden loud noises, which could harm your hearing or result in other trouble.

VOLUME TYPE set to "dB"

Display example



The maximum volume level is 0 and the minimum level is $-\infty$ (negative infinity). Before connecting headphones, set the VOLUME knob to its minimum value ($-\infty$). Failure to do so might cause sudden loud noises, which could harm your hearing or result in other trouble.

The set output level is shown when LINE OUT LEVEL is set to "FIXED 0dB" or "FIXED +6dB".

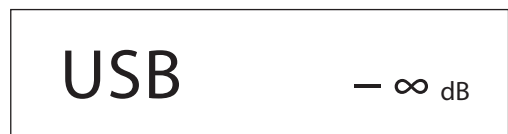
Example when VOLUME TYPE set to "dB"



- If VOLUME TYPE is set to "STEP (0-100)", "VOL. 86" will be shown when set to "FIXED 0dB" and "VOL. 90" will be shown when set to "FIXED +6dB".

When headphones are not connected and LINE OUT LEVEL is set to "OFF", "VOL. 0" or " $-\infty$ dB" will be shown.

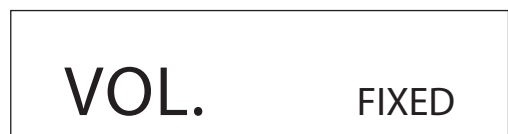
Example when VOLUME TYPE set to "dB"



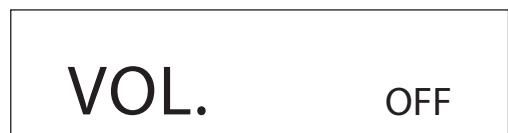
When headphones are not connected and LINE OUT LEVEL is set to FIXED or OFF

Turning the VOLUME knob will cause the following to be displayed.

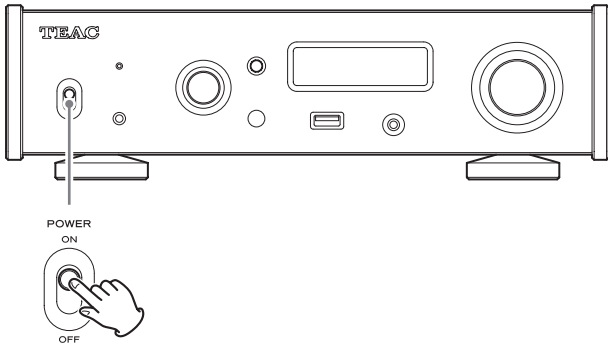
LINE OUT LEVEL set to FIXED



LINE OUT LEVEL set to OFF

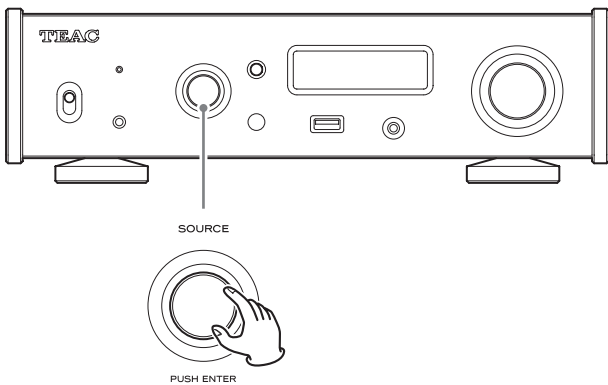


1 Shift the POWER switch to its ON position to turn the unit on.



- If a stereo amplifier is connected to this unit, always turn its power ON very last.

2 Turn the SOURCE knob to select the input source.



The selected source appears on the display.

- You can also use the input selection buttons on the remote control.
- If the input signal is not a digital audio signal or is an audio signal format that is not supported by this unit, such as Dolby Digital or DTS, no audio will be output. Set the digital output of the connected device to PCM audio output.
- To play back audio files when this unit is set to USB, you must first install a dedicated driver on the computer before connecting them (page 25).
- DSD data can only be played back when the input source is USB or NET (including USB flash drives) or when using DoP format digital input.
- To use NET or the front USB port, install the TEAC HR Streamer (free) on a smartphone or tablet, and connect it to the same network as the unit.

3 Operate the playback device.

Refer to the operation manual of that device.

4 Adjust the volume.

When using the line outputs

When LINE OUT LEVEL is set to VARIABLE, turn this unit's VOLUME knob to adjust the volume.

When LINE OUT LEVEL is set to any other setting, the volume cannot be adjusted from this unit. Use the stereo amplifier or other device connected to this unit to adjust the volume.

When headphones are connected to this unit

Turn this unit's VOLUME knob to adjust the volume.

- When this unit's VOLUME knob is enabled, the volume setting will be shown.

Bluetooth® wireless technology

Bluetooth® notes

When using this unit with a mobile phone or other Bluetooth devices, they should be no more than about 10 m (33 ft) apart.

Depending on the circumstances of use, however, the effective transmission distance might be shorter.

Wireless communication with every device that supports Bluetooth wireless technology is not guaranteed.

To determine the compatibility between this unit and another device that supports Bluetooth wireless technology, refer to that device's operation manual or contact the shop where you purchased it.

Profiles

This unit supports the following Bluetooth profiles.

- A2DP (Advanced Audio Distribution Profile)
- AVRCP (Audio/Video Remote Control Profile)

In order to transfer audio using Bluetooth wireless transmission, the Bluetooth device must support A2DP.

In order to control playback on the Bluetooth device, it must support AVRCP.

Even if a Bluetooth device supports the same profiles, though, its functions might differ according to its specifications.

Codecs

This unit supports the following codecs. It will automatically select one of them during audio transfer.

- SBC
- AAC
- Qualcomm® aptX™ audio
- Qualcomm® aptX™ HD audio
- LDAC

The unit will select the appropriate codec to use according to the codec compatibility of the other Bluetooth device and communication conditions.

LDAC is an audio coding technology developed by Sony that enables the transmission of High-Resolution (Hi-Res) Audio content, even over a Bluetooth connection.

Unlike other Bluetooth compatible coding technologies such as SBC, it operates without any down-conversion of the Hi-Res Audio content*, and allows approximately three times more data** than those other technologies to be transmitted over a Bluetooth wireless network with unprecedented sound quality, by means of efficient coding and optimized packetization.

* excluding DSD format contents

** in comparison with SBC (Subband Coding) when the bitrate of 990 kbps (96/48 kHz) or 909 kbps (88.2/44.1 kHz) is selected

NOTE

- You cannot select the codec to be used by pressing a button, for example.
- Due to the characteristics of Bluetooth wireless technology, compared to playback on the Bluetooth device, playback through this unit will be slightly delayed.

Content protection

This unit supports SCMS-T as a form of content protection when transmitting audio, so it can play protected audio.

Transmission security

This unit supports security functions during Bluetooth wireless transmission in accordance with the Bluetooth standard specifications, but it does not guarantee the privacy of such transmissions.

TEAC CORPORATION will bear no responsibility should an information leak occur during Bluetooth wireless transmission.

Pairing with another Bluetooth device

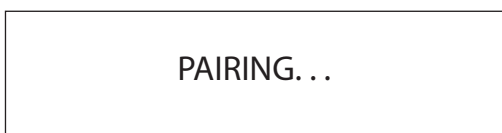
Pairing this unit with another Bluetooth device is necessary the first time it is used and when connecting to a different Bluetooth device for the first time.

1 Turn the SOURCE knob to select Bluetooth.



2 Enable Bluetooth transmission on the other Bluetooth device.

3 Press and hold the SOURCE knob to enter pairing mode.



- "PAIRING..." blinks when pairing.

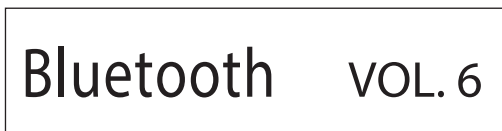
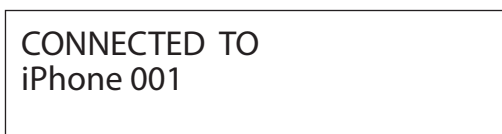
4 On the other Bluetooth device, select "NT-505-X" (this unit).

After this unit enters pairing mode, pair with it from the other Bluetooth device.

For details, refer to the operation manual of that Bluetooth device.

After connection, the display will show the name of the connected device, followed by the input source.

Display example



Playback from a Bluetooth device

- Pair this unit the first time you use it and when you want to connect it with a different Bluetooth device for the first time (page 19).
- When pairing or connecting with another Bluetooth device, they should be within a few meters of each other. If they are too far apart, pairing and connection afterwards might become impossible.

1 Enable Bluetooth transmission on the other Bluetooth device.

2 Turn the SOURCE knob to select Bluetooth.

This sets the source to Bluetooth.

- You can also use the Bluetooth button on the remote control.

Display example



This unit will search for paired devices and automatically connect to one if found.

ATTENTION

Depending on the source device, you might also need to conduct connection operations on it.

If you are unable to connect it successfully, refer to the operation manual of the source device.

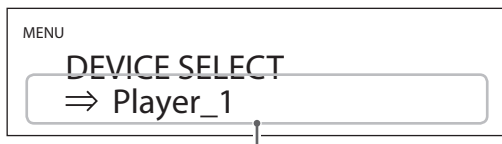
Bluetooth® wireless technology (continued)

Changing the connected device

1 Press the SOURCE knob to show DEVICE SELECT.

The bottom line of the display shows the name of the last connected device.

Display example



Name of last connected device

2 Turn the SOURCE knob to show already paired Bluetooth devices.

- The unit can remember a maximum of eight device pairings.
- If no paired device is available, the display will appear as follows.



- Press and hold the ENTER button to enter pairing mode (page 19).
- The first 16 characters of the device name are shown.
- If characters other than English letters and numbers are included in the device name, it will not be shown properly.

3 Press the SOURCE knob to connect.

After connection, the display will show the input source.

ATTENTION

- Regardless of the connection status of this unit and the other Bluetooth device, if the input source is not shown, restart both this unit and the other device and then connect them again.
- Depending on the source device, you might also need to conduct connection operations on it. If you are unable to connect it successfully, refer to the operation manual of the source device.

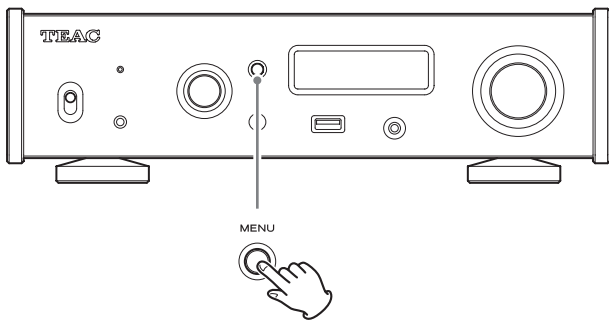
4 Start playback on the other Bluetooth device.

- Confirm that the volume is turned up on the other Bluetooth device. If you do not turn up the volume on the playback device, no sound might be output from this unit.

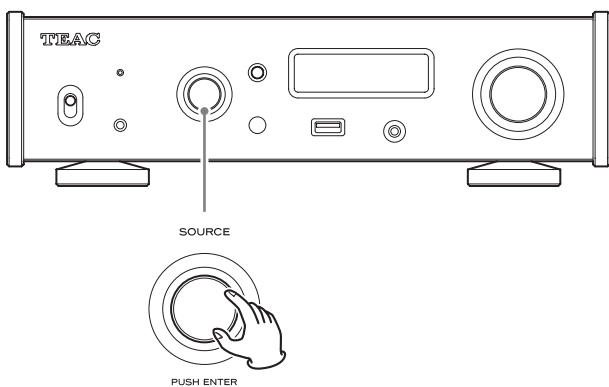
NOTE

Press and hold the MENU button to clear a paired device.

1 Press the MENU button to open the menu screen.

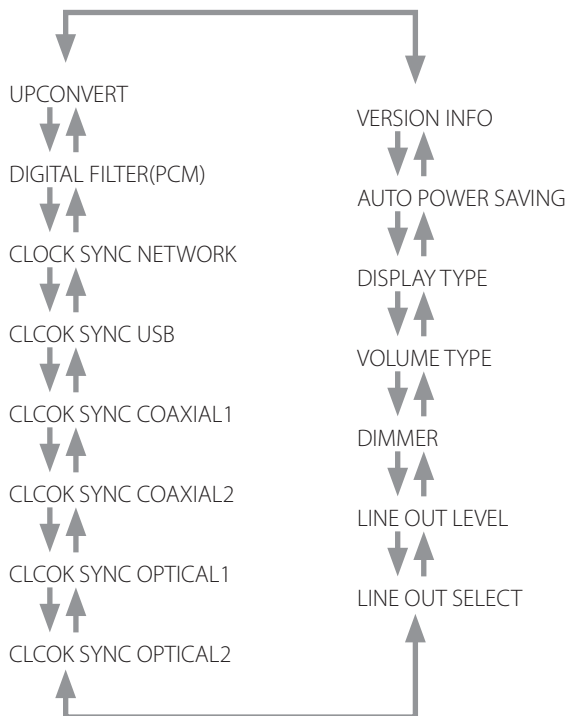


2 Turn the SOURCE knob to show the item that you want to set.

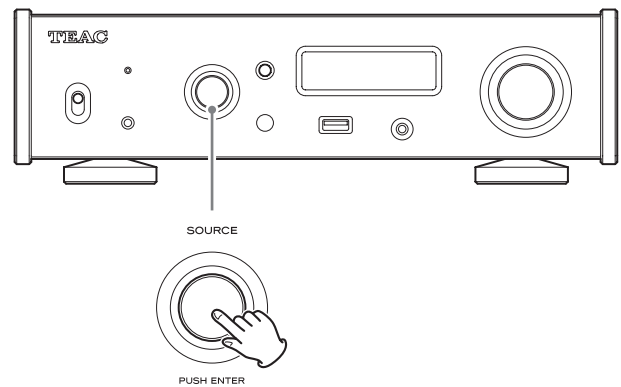


- You can also use the up and down (∧, ∨) buttons on the remote control.

The menu items appear in the following order.



3 Press the SOURCE knob.



- You can also press the ENTER button on the remote control.
- The currently set value is shown on the display.

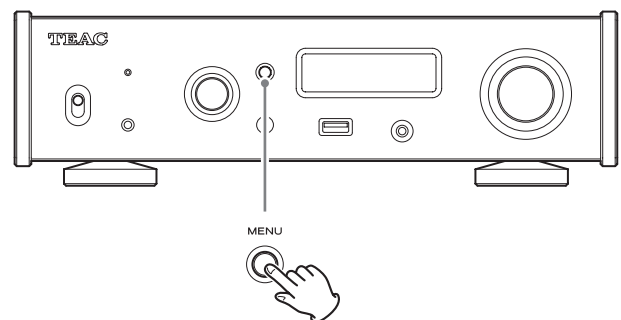
4 Turn the SOURCE knob to change the setting value.

- You can also use the up and down (∧, ∨) buttons on the remote control.
- Press the MENU button to return to setting item selection.

5 Press the SOURCE knob.

- You can also press the ENTER button on the remote control.

6 When you are done changing settings, press the MENU button to show the input source status again.



- If you do not do anything for about 7 seconds, the display will return to showing the input source status.

Settings (continued)

Upconversion

Use to activate the upconversion circuit when receiving PCM signals.

- See page 13 for the relationships between input sampling frequencies and sampling frequencies after upconversion.
- During MQA playback, 4x Fs upconversion will be used regardless of the setting.



OFF

The original input signal is sent directly to the D/A converter without upconversion.

2x Fs

If the input audio signal is less than 2x a standard sampling frequency, it is upconverted 2x and then sent to the D/A converter.

4x Fs

If the input audio signal is less than 4x a standard sampling frequency, it is upconverted 4x and then sent to the D/A converter.

8x Fs

If the input audio signal is less than 8x a standard sampling frequency, it is upconverted 8x and then sent to the D/A converter.

DSD 256

DSD 512

The input source is converted to DSD digital format, and then sent to the D/A converter.

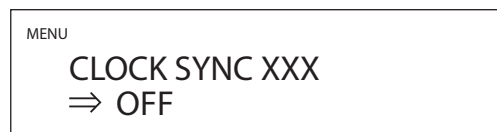
PCM digital filter

This sets the type of digital filter used when converting PCM signals from digital to analog.



Clock sync

- Clock sync is possible when the input source is USB, COAXIAL 1/2, OPTICAL 1/2 or NETWORK (including USB flash drives).



OFF

No clock sync is used.

ON

This unit's master clock will be synchronized to the 10MHz clock input through the CLOCK SYNC input (10MHz IN) connector.

ATTENTION

To use clock synchronization with "COAXIAL 1/2" or "OPTICAL 1/2", the connected digital audio output device must support clock synchronization and be synchronized to the same clock output device as this unit.

If only this unit is synchronized to the clock output device, noise might occur in the playback sound.

Line output

Use to select the connectors that output analog audio.

- Output through both the RCA connectors and the XLR connectors at the same time is not possible.



RCA

Output through the RCA connectors.

XLR (HOT 2)

Output through the XLR connectors with 2: HOT polarity.

XLR (HOT 3)

Output through the XLR connectors with 3: HOT polarity.

Line output level

Use to select audio level output from the analog audio output (LINE OUT) connectors.



FIXED 0dB

A maximum of 2 Vrms is output. Select this if you want to adjust the volume using an amplifier.

- No sound will be output if headphones are connected.

FIXED +6dB

A maximum of 4 Vrms is output. Select this if you want to adjust the volume using an amplifier.

- No sound will be output if headphones are connected.
- If the sound distorts, set this to FIXED 0dB.

VARIABLE

This will enable adjustment of the analog output level using the VOLUME knob. Select this if you want to adjust the volume using this unit.

- No sound will be output if headphones are connected.

OFF

No sound is ever output.

Display brightness



DARK

Dark

SLIGHTLY BRIGHT

Lit dimly

BRIGHT

Lit brightly

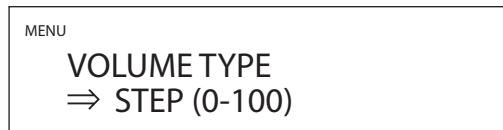
AUTO OFF

Unlit automatically

- The display stays unlit even when the unit is on.

Volume display

This sets how the volume is shown.



STEP (0-100)

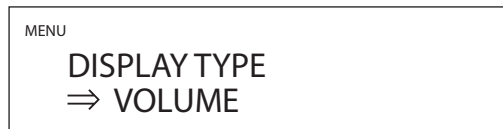
This shows the volume in steps from 0 (minimum) to 100 (maximum).

dB

This shows the volume in decibels (dB).

Screen indication

Select the information shown to the right of the playback source.



VOLUME

The volume will be shown.

SAMPLING FREQ.

Information about the playback source will be shown.

Settings (continued)

Automatic power saving function

This unit has an automatic power saving function.

- The automatic power saving function is on when the unit is shipped new from the factory.



OFF

The automatic power saving function is disabled.

ON

The unit will automatically enter standby mode if no audio is output and no operation is conducted for about 30 minutes.

Information display

This shows the version of the firmware used by the unit.



SYSTEM

The firmware version of the microcomputer

USB

The firmware version of the USB module

Bluetooth

The firmware version of the Bluetooth module

NETWORK

The firmware version of the network module

Supported operating systems

This unit can be connected by USB and used with a computer running one of the following operating systems.

Operation with other operating systems cannot be assured (as of May, 2023).

When using Mac

macOS High Sierra (10.13)
macOS Mojave (10.14)
macOS Catalina (10.15)
macOS Big Sur (11)
macOS Monterey (12)
macOS Ventura (13)

When using Windows

Windows 8 (32/64-bit)
Windows 8.1 (32/64-bit)
Windows 10 (32/64-bit)
Windows 11

Installing the driver

When using Mac

This unit can be operated with the standard OS driver, so there is no need to install a driver.

A dedicated driver must be installed on the computer, however, to use Bulk Pet.

When using Windows

To use this unit for playback of files on a computer, install the dedicated driver on the computer.

IMPORTANT NOTICE

You must install the dedicated driver software before connecting this unit with a computer using a USB cable.

If you connect the unit to the computer by USB before installing the driver, it will not function properly.

Depending on the composition of the computer hardware and software, operation might not be possible even with the above operating systems.

Installing the driver on a computer

Install the dedicated driver software on the computer after downloading it from the following URL.

For details about installation and OS setting procedures, see the TEAC ASIO USB DRIVER Installation Guide included with the driver.

TEAC International Site

<https://teac.jp/int/product/nt-505-x/download>

Note about transmission modes

This unit can transfer data using Isochronous or Bulk Pet mode.

The sampling frequencies that can be transmitted are 44.1 kHz, 48 kHz, 88.2 kHz, 96 kHz, 176.4 kHz, 192 kHz, 352.8 kHz, 384 kHz, 705.6 kHz and 768 kHz.

When properly connected, you will be able to select "TEAC USB AUDIO DEVICE" as an audio output from the computer OS.

- Audio data sent from the computer will be processed using this unit's clock during data transmission, enabling reduction of jitter.

Downloading playback application TEAC HR Audio Player

You can download Mac and Windows versions of our free TEAC HR Audio Player application that supports playback of DSD files from the TEAC International Site (<https://teac.jp/int/>).

https://teac.jp/int/product/hr_audio_player/download

TEAC HR Audio Player setting note

To play 22.5MHz DSD recordings with TEAC HR Audio Player, open the Configure window and set the "Decode mode" to "DSD Native."

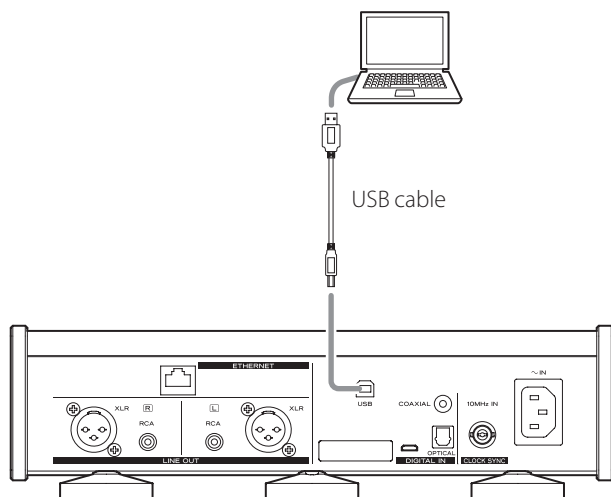
To play formats other than 22.5MHz DSD, you can set this to either "DSD over PCM" or "DSD Native" as you like.

For details, see "Selecting the DSD decode mode" in the TEAC HR Audio Player Manual.

Playing back music on a computer (continued)

Playing back audio files from a computer

- 1 Connect the USB port on the back of this unit to the computer using a USB cable.**

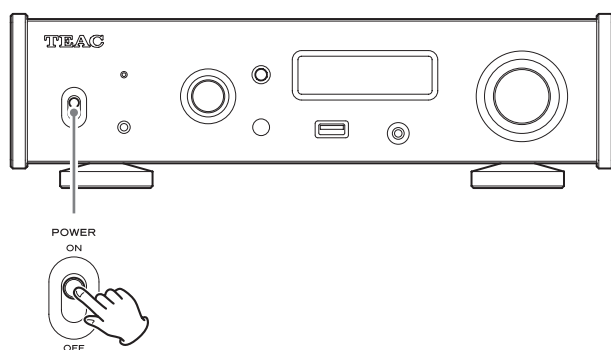


- Use a cable with a connector that matches that of this unit.

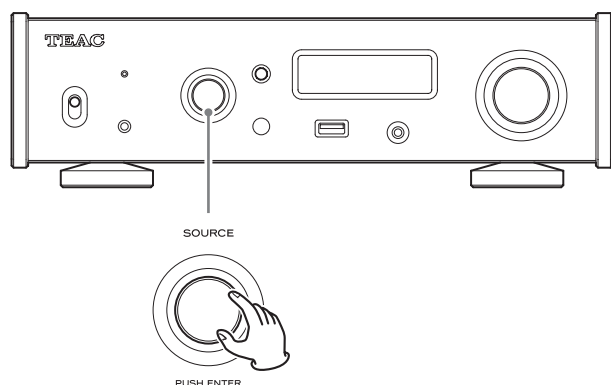
- 2 Turn the computer on.**

- Confirm that the operating system has started properly.

- 3 Shift the POWER switch to its ON position to turn the unit on.**



- 4 Turn the SOURCE knob to select USB.**



- 5 Start playback of an audio file on the computer.**

By maximizing the output volume from the computer and adjusting the volume output from the stereo amplifier, better sound quality can be achieved.

Minimize the stereo amplifier volume before beginning playback. Then, gradually increase it.

When using headphones connected to this unit, turn the VOLUME knob counterclockwise to minimize the volume before putting them on. Then, gradually increase it.

- The computer and this unit cannot control each other.
- Do not do any of the following when playing back an audio file via USB. Doing so could cause the computer to malfunction. Always quit the audio playback software before doing any of the following.
 - Unplugging the USB cable
 - Turning the unit off or putting it into standby mode
 - Changing the current input selection
- When playing back an audio file via USB, computer operation sounds will also be output. If you do not want these sounds to be output, make appropriate settings on the computer to turn them off.
- If you connect this unit with the computer or change its input to USB after starting the audio playback software, audio files might not play back correctly. If this should occur, restart the audio playback software or restart the computer.

MQA (Master Quality Authenticated)

MQA is an award-winning British technology that delivers the sound of the original master recording. The master MQA file is fully authenticated and is small enough to stream or download.

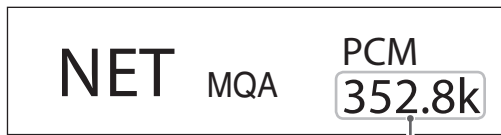
Visit mqa.co.uk for more information.

The NT-505-X includes MQA technology, which enables you to play back MQA audio files and streams, delivering the sound of the original master recording.

'MQA' or 'MQA.' indicates that the product is decoding and playing an MQA stream or file, and denotes provenance to ensure that the sound is identical to that of the source material. "MQA." indicates it is playing an MQA Studio file, which has either been approved in the studio by the artist/producer or has been verified by the copyright owner.

- This unit can decode MQA streams and files only when the playback source is NET.

Display example during MQA playback



Original sampling frequency

Troubleshooting

If you experience a problem with the unit, please take a moment to review the following information before requesting service. If it still does not operate correctly, contact the retailer where you purchased the unit.

General

The unit does not turn on.

- ➔ Check that the power cord is completely plugged into the power outlet. If the outlet is switched, confirm that the switch is in the ON position.
- ➔ Connect a different electrical device to the outlet to confirm that it is supplying power.
- ➔ If the automatic power saving function has caused the unit to enter standby, press the remote control STANDBY/ON button to turn the unit on again.

No sound is output.

- ➔ If a stereo amplifier is connected to this unit, adjust its volume.
- ➔ If you are using headphones connected to this unit, use the VOLUME knob to adjust the volume.
- ➔ Use the SOURCE knob to select the input that is connected to the source that you want to hear.
- ➔ Reconfirm the connections with other equipment.

There is a humming noise.

- ➔ If a connecting cable is near a power cord, fluorescent light or similar cause of interference, increase the distance between them as much as possible.

There is no sound from one side of the headphones.

- ➔ Confirm that the headphones plug is inserted completely.

Clock sync

The CLOCK indicator does not stop blinking.

- ➔ Set clock synchronization to OFF when not using it.
- ➔ Synchronization with the clock signal being input might not be possible. Check the connections of the clock sync connectors and the settings of the connected device.

Troubleshooting (continued)

Connections with a computer

Computer does not recognize this unit.

- ➔ See page 25 for information about supported operating systems. Operation with unsupported operating systems is not guaranteed.

Noise occurs.

- ➔ Starting other applications during playback of an audio file may interrupt playback or cause noise. Do not start other applications during playback.
- ➔ When the unit is connected to a computer via a USB hub, for example, noise might be heard. If this occurs, connect the unit directly to the computer.

Audio files cannot be played back.

- ➔ Connect this unit to the computer, and set this unit's input to USB before launching audio playback software. If you connect this unit to the computer or set its input to USB after launching audio playback software, audio files might not play back properly.

Bluetooth function

Cannot show device name.

- ➔ This unit does not support the display of symbols or double-byte characters, including Japanese and Chinese. Use only English letters and numbers for the names of Bluetooth devices connected to this unit.

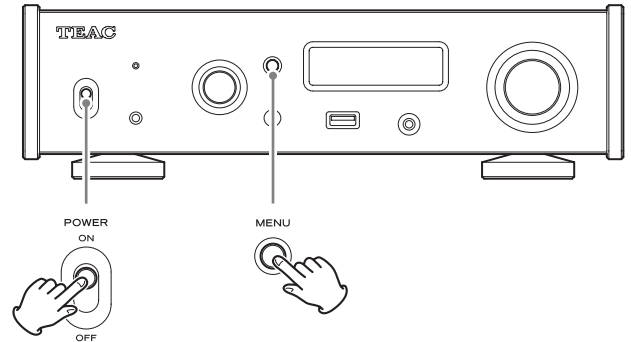
Cannot change connected Bluetooth device.

- ➔ This unit cannot have Bluetooth connections to multiple Bluetooth devices at the same time. To change the device connected with this unit by Bluetooth, end the connection with the currently connected Bluetooth device before connecting to another Bluetooth device.

Since this unit uses a microcontroller, external noise and other interference can cause the unit to malfunction. If this occurs, unplug the power cord, wait for a while, and then turn the unit on again and restart operations.

Restoring default settings

- 1 While pressing and holding the MENU button, set the POWER switch to ON.**

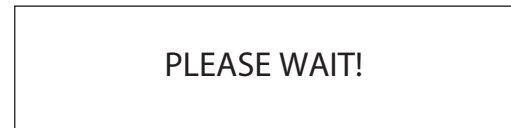


- 2 Release the MENU button when the FACTORY RESET menu appears.**



- 3 Press the SOURCE knob.**

Resetting begins when "PLEASE WAIT!" appears.



The playback source display screen will appear after resetting completes.

Display example



ATTENTION

- Do not put the unit in standby until the playback source display screen appears.
 - This operation will restore all settings, including network settings, to their default values.
-
- The factory default settings are the setting values shown in the screen images used in the explanations in this manual.

Analog audio outputs

Connectors

XLR connectors	1 pair (L/R)
RCA connectors	1 pair (L/R)
Output impedance	XLR: 188 Ω
	RCA: 150 Ω

Maximum output level (1 kHz/full-scale, into 10 kΩ)

FIXED 0dB	XLR/RCA: 2.0 Vrms
FIXED +6dB	XLR/RCA: 4.0 Vrms
VARIABLE	XLR: 12 Vrms
	RCA: 6 Vrms

Frequency response*	5 Hz – 80 kHz (+1 dB/–5 dB)
S/N ratio*	110 dB (A-Weight, 1 kHz)
Distortion*	0.0015% (1 kHz, LPF: 20 Hz – 20 kHz)

*Measurement conditions

Input signal: 192kHz 24-bit PCM
 Measurement output: RCA
 PCM digital filter: ON

Headphones output

Connector	3.5mm 4-pole stereo mini jack × 1
Maximum effective output	500 mW + 500 mW (into 32 Ω)
Compatible impedance range	16–600 Ω

Digital audio inputs**

COAXIAL digital	RCA connector × 1
	3.5mm mini jack*** × 1
	(3.5mm mini plug connection also possible using RCA-mini plug adapter cable)
	(0.5 Vp-p, 75 Ω)
OPTICAL digital	Square connector × 1
	Round connector*** × 1
	(–24.0 to –14.5dBm peak)
USB flash drive	USB Type A port (front) × 1
	(USB 2.0 compliant)
USB	USB Type B port (rear) × 1
	(USB 2.0 compliant)
LAN	1000BASE-T
PCM data sampling frequency	
COAXIAL digital	32 kHz, 44.1 kHz, 48 kHz, 88.2 kHz, 96 kHz, 176.4 kHz, 192 kHz
OPTICAL digital	32 kHz, 44.1 kHz, 48 kHz, 88.2 kHz, 96 kHz, 176.4 kHz, 192 kHz
USB	44.1 kHz, 48 kHz, 88.2 kHz, 96 kHz, 176.4 kHz, 192 kHz, 352.8 kHz, 384 kHz, 705.6 kHz, 768 kHz
USB flash drive/Network	32 kHz, 44.1 kHz, 48 kHz, 88.2 kHz, 96 kHz, 176.4 kHz, 192 kHz, 352.8 kHz, 384 kHz
Quantization bit depth	
COAXIAL digital/OPTICAL digital	16/24-bit
USB/USB flash drive/Network	16/24/32-bit
DSD data sampling frequency	
COAXIAL digital/OPTICAL digital	2.8 MHz
	(supported using 176.4kHz/24-bit DoP transmission)
USB	2.8 MHz, 5.6 MHz, 11.2 MHz, 22.5 MHz
USB flash drive/Network	2.8/5.6 MHz

**See the TEAC HR Streamer User's Manual for details about USB flash drives and networks.

***This input connector can be used for both optical and coaxial connections.

Bluetooth function

Bluetooth version	4.2
Output class	Class 2
(transmission distance without obstructions****)	10 m
Supported profiles	A2DP, AVRCP
Supported A2DP codecs	SBC, AAC, Qualcomm® aptX™ audio, Qualcomm® aptX™ HD audio, LDAC
Supported A2DP content protection	SCMS-T
Maximum number of stored pairings	8

****The transmission distance is approximate. The transmission distance could vary depending on the surrounding environment and electromagnetic waves.

Clock sync input

Connector	BNC
Input sampling frequency	10 MHz
Input impedance	50 Ω
Input level	Rectangle wave: equivalent to TTL levels
	Sine wave: 0.5 to 1.0 Vrms

General

Power supply

Model for Europe	AC 220–240 V, 50/60 Hz
Model for U.S.A./Canada	AC 120 V, 60 Hz

Power consumption	20 W
Standby power	0.4 W (in standby mode)

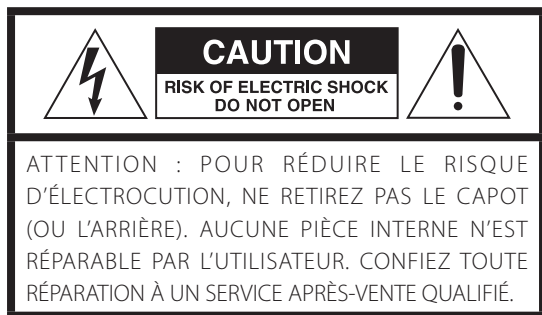
External dimensions (W × H × D including protrusions)	290 mm × 84.5 mm × 248.7 mm
	(11 1/2" × 3 3/8" × 9 7/8")

Weight	4.1 kg (9 1/8 lb)
Operating temperature	+5°C to +35°C
Operating humidity range	5% to 85% (no condensation)
Storage temperature range	–20°C to +55°C

Included accessories

- Power cord × 1
- RCA conversion (RCA to mini plug) cable × 1
- Remote control (RC-1330) × 1
- Batteries for remote control (AAA) × 2
- Pads × 3
- Owner's manual (this document, including warranty) × 1
- For information about the warranty, users living in the USA and Canada should see pages 86–87 and the back cover (warranty document). Users living in Europe and other regions should see page 87.
- The TEAC HR Streamer User's Manual can be downloaded from the TEAC International Site (<https://teac.jp/int/>).
- Design and specifications are subject to change without notice.
- Weight and dimensions are approximate.
- Illustrations in this manual might differ slightly from production models.

INSTRUCTIONS DE SÉCURITÉ IMPORTANTES



Le symbole d'éclair à tête de flèche dans un triangle équilatéral sert à prévenir l'utilisateur de la présence dans l'enceinte du produit d'une « tension dangereuse » non isolée d'une grandeur suffisante pour constituer un risque d'électrocution pour les personnes.



Le point d'exclamation dans un triangle équilatéral sert à prévenir l'utilisateur de la présence d'instructions importantes de fonctionnement et de maintenance (entretien) dans les documents accompagnant l'appareil.

AVERTISSEMENT : POUR PRÉVENIR LES RISQUES D'INCENDIE ET D'ÉLECTROCUTION, N'EXPOSEZ PAS CET APPAREIL À LA PLUIE NI À L'HUMIDITÉ.

ATTENTION

- NE RETIREZ PAS LES CAPOTS EXTERNES OU BOÎTIERS POUR EXPOSER L'ÉLECTRONIQUE. AUCUNE PIÈCE INTERNE N'EST RÉPARABLE PAR L'UTILISATEUR.
- SI VOUS RENCONTREZ DES PROBLÈMES AVEC CE PRODUIT, CONTACTEZ LE MAGASIN OÙ VOUS AVEZ ACHETÉ L'UNITÉ. N'UTILISEZ PAS LE PRODUIT TANT QU'IL N'A PAS ÉTÉ RÉPARÉ.
- L'UTILISATION DE COMMANDES, DE RÉGLAGES OU LE SUIVI DE PROCÉDURES AUTRES QUE CE QUI EST DÉCRIT DANS CE DOCUMENT PEUT PROVOQUER UNE EXPOSITION À UN RAYONNEMENT DANGEREUX.

- 1) Lisez ces instructions.
 - 2) Conservez ces instructions.
 - 3) Tenez compte de tous les avertissements.
 - 4) Suivez toutes les instructions.
 - 5) N'utilisez pas cet appareil avec de l'eau à proximité.
 - 6) Ne nettoyez l'appareil qu'avec un chiffon sec.
 - 7) Ne bloquez aucune ouverture de ventilation. Installez-le conformément aux instructions du fabricant.
 - 8) N'installez pas l'appareil près de sources de chaleur telles que des radiateurs, bouches de chauffage, poêles ou autres appareils (y compris des amplificateurs) dégageant de la chaleur.
 - 9) Ne neutralisez pas la fonction de sécurité de la fiche polarisée ou de terre. Une fiche polarisée a deux broches, l'une plus large que l'autre. Une fiche de terre a deux broches identiques et une troisième broche pour la mise à la terre. La broche plus large ou la troisième broche servent à votre sécurité. Si la fiche fournie n'entre pas dans votre prise, consultez un électricien pour le remplacement de la prise obsolète.
 - 10) Évitez de marcher sur le cordon d'alimentation et de le pincer, en particulier au niveau des fiches, des prises secteur, et du point de sortie de l'appareil.
 - 11) N'utilisez que des fixations/accessoires spécifiés par le fabricant.
 - 12) Utilisez-le uniquement avec des chariots, socles, trépieds, supports ou tables spécifiés par le fabricant ou vendus avec l'appareil. Si un chariot est utilisé, faites attention à ne pas être blessé par un renversement lors du déplacement de l'ensemble chariot/appareil.
 - 13) Débranchez cet appareil en cas d'orage ou de non utilisation prolongée.
 - 14) Confiez toute réparation à des techniciens de maintenance qualifiés. Une réparation est nécessaire si l'appareil a été endommagé d'une quelconque façon, par exemple si le cordon ou la fiche d'alimentation est endommagé, si du liquide a été renversé sur l'appareil ou si des objets sont tombés dedans, si l'appareil a été exposé à la pluie ou à l'humidité, s'il ne fonctionne pas normalement, ou s'il est tombé.
- L'appareil tire un courant nominal de veille de la prise secteur quand son interrupteur POWER ou STANDBY/ON n'est pas en position ON.
 - La fiche secteur est utilisée comme dispositif de déconnexion et doit donc toujours rester disponible.
 - Des précautions doivent être prises en cas d'utilisation d'écouteurs ou d'un casque avec le produit car une pression sonore excessive (volume trop fort) dans les écouteurs ou dans le casque peut causer une perte auditive.



ATTENTION

- N'exposez pas cet appareil aux gouttes ni aux éclaboussures.
- Ne placez pas d'objet rempli de liquide sur l'appareil, comme par exemple un vase.
- Les pièces en forme de poignée sur les côtés gauche et droit de la face avant sont décoratives. N'y passez pas vos doigts et ne les utilisez pas pour porter l'unité.
- N'installez pas cet appareil dans un espace confiné comme une bibliothèque ou un meuble similaire.
- L'appareil doit être placé suffisamment près de la prise de courant pour que vous puissiez à tout moment attraper facilement la fiche du cordon d'alimentation.
- Si le produit utilise des piles/batteries (y compris un pack de batteries ou des piles installées), elles ne doivent pas être exposées au soleil, au feu ou à une chaleur excessive.
- **PRÉCAUTION** pour les produits qui utilisent des batteries remplaçables au lithium : remplacer une batterie par un modèle incorrect entraîne un risque d'explosion. Remplacez-les uniquement par un type identique ou équivalent.

AVERTISSEMENT

Les produits ayant une construction de Classe **I** sont équipés d'un cordon d'alimentation avec une fiche de terre. Le cordon d'un tel produit doit être branché dans une prise secteur avec terre de sécurité.

AUX USA/CANADA, UTILISEZ UNIQUEMENT UNE TENSION D'ALIMENTATION DE 120 V.

Précautions concernant les piles

Un mauvais emploi des piles peut entraîner leur rupture ou leur fuite, avec pour conséquence un incendie, des blessures ou la salissure des objets proches. Veuillez lire et suivre attentivement les précautions suivantes.

- Veillez à insérer les piles avec leurs pôles positif (+) et négatif (-) correctement orientés.
- Utilisez des piles du même type. N'utilisez jamais des types de pile différents ensemble.
- Si la télécommande doit rester inutilisée durant une période prolongée (plus d'un mois), retirez ses piles pour éviter qu'elles ne coulent.
- Si les piles coulent, essuyez le liquide dans le compartiment des piles et remplacez les piles par des neuves.
- N'utilisez pas de piles d'un type autre que celui spécifié. Ne mélangez pas des piles neuves avec des anciennes et n'utilisez pas ensemble des types de pile différents.
- Ne chauffez pas et ne démontez pas les piles. Ne jetez jamais les piles dans un feu ou dans de l'eau.
- Ne conservez et ne transportez pas les piles avec d'autres objets métalliques. Les piles pourraient entrer en court-circuit, couler ou exploser.
- Ne rechargez jamais une batterie sans avoir vérifié qu'elle peut l'être.
- N'exposez pas les piles à une pression d'air extrêmement basse car cela pourrait entraîner une explosion ou une fuite de liquides ou de gaz inflammables.

Modèle pour le Canada

Déclaration de conformité d'Innovation, Sciences et Développement économique Canada :

CET APPAREIL NUMÉRIQUE DE LA CLASSE B EST CONFORME À LA NORME NMB-003 DU CANADA

Pour les consommateurs européens

Mise au rebut des équipements électriques et électroniques et des piles et/ou accumulateurs

- a) Tout équipement électrique/électronique et pile/accumulateur hors d'usage doit être traité séparément de la collecte municipale d'ordures ménagères dans des points de collecte désignés par le gouvernement ou les autorités locales.
- b) En vous débarrassant correctement des équipements électriques/électroniques et piles/accumulateurs hors d'usage, vous contribuerez à la sauvegarde de précieuses ressources et à la prévention de potentiels effets négatifs sur la santé humaine et l'environnement.
- c) Le traitement incorrect des équipements électriques/électroniques et piles/accumulateurs hors d'usage peut avoir des effets graves sur l'environnement et la santé humaine en raison de la présence de substances dangereuses dans les équipements.

- d) Le symbole de déchets d'équipements électriques et électroniques (DEEE), qui représente une poubelle à roulettes barrée d'une croix, indique que les équipements électriques/électroniques et piles/accumulateurs doivent être collectés et traités séparément des déchets ménagers.

Si une pile ou un accumulateur contient plus que les valeurs de plomb (Pb), mercure (Hg) et/ou cadmium (Cd) spécifiées dans la directive sur les piles et accumulateurs (2006/66/CE, 2013/56/UE), alors les symboles chimiques de ces éléments seront indiqués sous le symbole DEEE.

- e) Des systèmes de retour et de collecte sont disponibles pour l'utilisateur final. Pour des informations plus détaillées sur la mise au rebut des vieux équipements électriques/électroniques et piles/accumulateurs hors d'usage, veuillez contacter votre mairie, le service d'ordures ménagères ou le magasin dans lequel vous avez acquis l'équipement.

INSTRUCTIONS DE SÉCURITÉ IMPORTANTES (suite)

Conformité de l'émetteur radio et brouillage

Ce produit fait fonction d'émetteur large bande sur la bande des 2,4 GHz.

Plage de fréquences utilisée : 2402 MHz – 2480 MHz

Puissance maximale de sortie : Bluetooth® classe 2 (moins de 2,5 mW)

Veuillez n'utiliser cet appareil que dans le pays où il a été acheté.

Selon le pays, des restrictions d'usage de la technologie sans fil Bluetooth peuvent exister.

Modèle pour le Canada

Conformité de l'émetteur radio

L'émetteur/récepteur exempt de licence contenu dans le présent appareil est conforme aux CNR d'Innovation, Sciences et Développement économique Canada applicables aux appareils radio exempts de licence. L'exploitation est autorisée aux deux conditions suivantes :

- 1) l'appareil ne doit pas produire de brouillage;
- 2) l'appareil doit accepter tout brouillage radioélectrique subi, même si le brouillage est susceptible d'en compromettre le fonctionnement.

Étiquetage d'autorisation

IC : 1559C-NT505

Modèle pour l'EEE (Espace Économique Européen)



Par la présente, TEAC Corporation déclare que cet équipement radio est en conformité avec la directive 2014/53/UE ainsi qu'avec les autres directives et règlements de la Commission.

Le texte intégral de la déclaration de conformité pour l'UE est disponible à l'adresse internet suivante : veuillez nous contacter par e-mail.

<https://teacsupport.aqipa.com/>

Exigences pour l'exposition aux rayonnements

Cet équipement est conforme à la réglementation reconnue internationalement en matière d'exposition humaine aux ondes radio générées par l'émetteur.

Déclaration de conformité

Modèle pour le Canada

Cet équipement est conforme avec les limites d'exposition aux radiofréquences établies pour un environnement non contrôlé par le CNR-102 de l'IC.

Modèle pour l'EEE (Espace Économique Européen)

Cet équipement est conforme à la norme EN.62479 : Évaluation des équipements électroniques et électriques en relation avec les restrictions d'exposition humaine aux champs électromagnétiques ; la norme harmonisée de la Directive 2014/53/UE.

MQA and the Sound Wave Device are registered trademarks of MQA Limited © 2016

"DSD" is a registered trademark.

The Bluetooth® word mark and logos are registered trademarks owned by Bluetooth SIG, Inc. and any use of such marks by TEAC CORPORATION is under license.

Qualcomm aptX is a product of Qualcomm Technologies, Inc. and/or its subsidiaries.

Qualcomm is a trademark of Qualcomm Incorporated, registered in the United States and other countries. aptX is a trademark of Qualcomm Technologies International, Ltd., registered in the United States and other countries.

Microsoft and Windows are either registered trademarks or trademarks of Microsoft Corporation in the United States and/or other countries.

Apple, Mac, OS X and macOS are trademarks of Apple Inc., registered in the U.S. and other countries.

App Store is a service mark of Apple Inc.

Android is a trademark of Google Inc.

Google Play is a trademark of Google Inc.

LDAC™ and LDAC logo are trademarks of Sony Corporation.

Bulk Pet is a registered trademark of INTERFACE CO., LTD.

Les autres noms de société, noms de produit et logos présents dans ce document sont des marques commerciales ou déposées de leurs détenteurs respectifs.

Des informations sur les droits d'auteur et les licences en rapport avec les logiciels libres (« Open source ») sont fournies dans le document « Important Notice Regarding Software » (en anglais uniquement).

Sommaire

Nous vous remercions d'avoir choisi TEAC.

Lisez ce mode d'emploi avec attention pour tirer les meilleures performances de cette unité. Après l'avoir lu, gardez-le en lieu sûr pour vous y référer ultérieurement.

ATTENTION

- Pour plus d'informations sur les fonctions en réseau de cette unité, voir le mode d'emploi de TEAC HR Streamer.
- Ce mode d'emploi et celui de TEAC HR Streamer peuvent être téléchargés depuis le site international TEAC (<https://teac.jp/int/>).
- Pour utiliser les fonctions réseau et la lecture de clés USB, vous devez également faire appel à une tablette ou à un smartphone sur lequel est installée l'appli TEAC HR Streamer (gratuite) et qui est connecté au même réseau que l'unité.

INSTRUCTIONS DE SÉCURITÉ IMPORTANTES.....	30
Accessoires fournis	33
Avant l'utilisation	34
Entretien	34
Utilisation du site international TEAC.....	34
Chargement de l'appli de télécommande.....	34
Connexions réseau	35
Branchements (face arrière).....	36
Branchements (face avant).....	38
Branchement d'un casque.....	39
Emploi de la télécommande.....	39
Nomenclature et fonctions des parties (unité principale).....	40
Conversion ascendante.....	41
Nomenclature et fonctions des parties (télécommande).....	42
Affichage.....	43
Fonctionnement de base.....	45
Technologie sans fil Bluetooth®.....	46
Réglages	49
Lecture de musique sur un ordinateur.....	53
MQA (Master Quality Authenticated).....	55
Guide de dépannage.....	55
Caractéristiques techniques	57

Accessoires fournis

Vérifiez que l'emballage contient bien tous les éléments indiqués ci-dessous.

Veuillez contacter le magasin dans lequel vous avez acheté cette unité si l'un de ces éléments manque ou a été endommagé durant le transport.

Cordon d'alimentation × 1

Câble de conversion (RCA vers mini-jack) × 1

Télécommande (RC-1330) × 1

Piles pour télécommande (AAA) × 2

Patins × 3

Mode d'emploi (ce document, y compris la garantie) × 1

- Pour plus d'informations sur la garantie, les utilisateurs vivant aux États Unis et au Canada doivent consulter les pages 86–87 et le dos de la couverture (document de garantie). Les utilisateurs vivant en Europe et dans d'autres régions doivent consulter la page 87.
- Le mode d'emploi de TEAC HR Streamer peut être téléchargé depuis le site international TEAC (<https://teac.jp/int/>).

FR

Avant l'utilisation

Précautions concernant l'emplacement

- N'installez pas cette unité dans un lieu qui pourrait chauffer. Cela comprend les endroits exposés directement au soleil ou près d'un radiateur, d'un chauffage, d'une cuisinière ou d'autres appareils chauffants. En outre, ne la placez pas au-dessus d'un amplificateur ou autre équipement dégageant de la chaleur. Cela pourrait causer une décoloration, une déformation ou un mauvais fonctionnement.
- Évitez les lieux extrêmement froids ou exposés à une humidité ou poussière excessive.
- Quand vous installez cette unité, laissez un peu d'espace (au moins 3 cm) entre elle et les murs et d'autres appareils afin de permettre une bonne dissipation thermique. Si vous la placez par exemple dans un rack, laissez au moins 5 cm de libre au-dessus de l'unité et 10 cm derrière elle.
Ne pas laisser ces espaces peut faire monter la température au risque d'entraîner un incendie.
- La tension d'alimentation de l'unité doit correspondre à la tension imprimée sur son panneau arrière. Si vous avez des doutes à ce sujet, consultez un électricien.
- Ne déplacez pas l'unité durant l'utilisation.
- N'ouvrez pas le boîtier de l'unité car cela pourrait endommager le circuit ou causer un choc électrique. Si un objet étranger pénètre dans l'unité, consultez votre revendeur.
- Quand vous débranchez le cordon d'alimentation de la prise secteur, tirez toujours sur sa fiche, jamais sur le cordon.

Note sur le placement

Les pieds en acier sont fixés de manière lâche sous l'unité, autorisant un certain jeu. Pour cette raison, les pieds s'écarteront légèrement de la face inférieure lorsque l'unité sera soulevée.

Cette unité est conçue pour reposer sur ses pieds lorsqu'elle est placée de manière à ce que ceux-ci ne lui fassent pas subir de contraintes inutiles.

- Les pieds bougeront légèrement par rapport à la face inférieure de l'unité, mais ce n'est pas un défaut.
- Fixez les patins fournis sous les pieds de protection pour éviter de rayer la surface sur laquelle est placée l'unité.

La face supérieure de cette unité est fixée avec un certain jeu.

- Elle bougera légèrement, mais ce n'est pas un défaut.

Entretien

Essayez les saletés du capot supérieur et des autres surfaces au moyen d'un chiffon doux légèrement humidifié avec un nettoyant neutre dilué. N'utilisez pas de lingettes de nettoyage imbibées de produit chimique, de diluant ou d'autres agents chimiques. Cela pourrait endommager la surface.

Pour votre sécurité, débranchez le cordon d'alimentation de la prise secteur avant tout nettoyage.

Utilisation du site international TEAC

Vous pouvez télécharger des mises à jour pour cette unité depuis le site international TEAC :

<https://teac.jp/int/>

Cliquez sur Language en haut à droite de la page et sélectionnez le pays ou la région qui vous intéresse pour accéder à une page dans la langue correspondante.

Chargement de l'appli de télécommande

Pour utiliser les fonctions réseau et de lecture de clés USB de cette unité, vous devez également faire appel à un smartphone ou à une tablette sur lequel est installée l'appli TEAC HR Streamer (gratuite) et qui est connecté au même réseau que l'unité.

Installer l'app sur une tablette ou un smartphone vous permet de l'employer sur un réseau sans fil pour faire fonctionner l'unité.


- Le téléchargement et l'utilisation de l'app sont gratuits.

Trouver l'app pour tablette/smartphone

Recherchez « TEAC HR Streamer » sur l'App Store ou Google Play Store.



Lecture des fichiers audio d'une clé USB connectée au port USB

- 1) Placez les fichiers audio sur la clé USB et connectez celle-ci au port USB  de la face avant.
- 2) Suivez les procédures de la section « Getting started » (Prise en main) du mode d'emploi de TEAC HR Streamer pour ouvrir le menu de configuration (Setup).
- 3) Dans la section Music Player (lecteur de musique), sélectionnez TEAC NT-505-X.
- 4) Sélectionnez Music Library (bibliothèque musicale), puis TEAC NT-505-X USB Music Server.
 - Le rafraîchissement de la bibliothèque musicale peut prendre plusieurs minutes si elle contient de nombreux fichiers audio.

Cela termine la préparation de la lecture de fichiers musicaux d'une clé USB connectée au port USB .

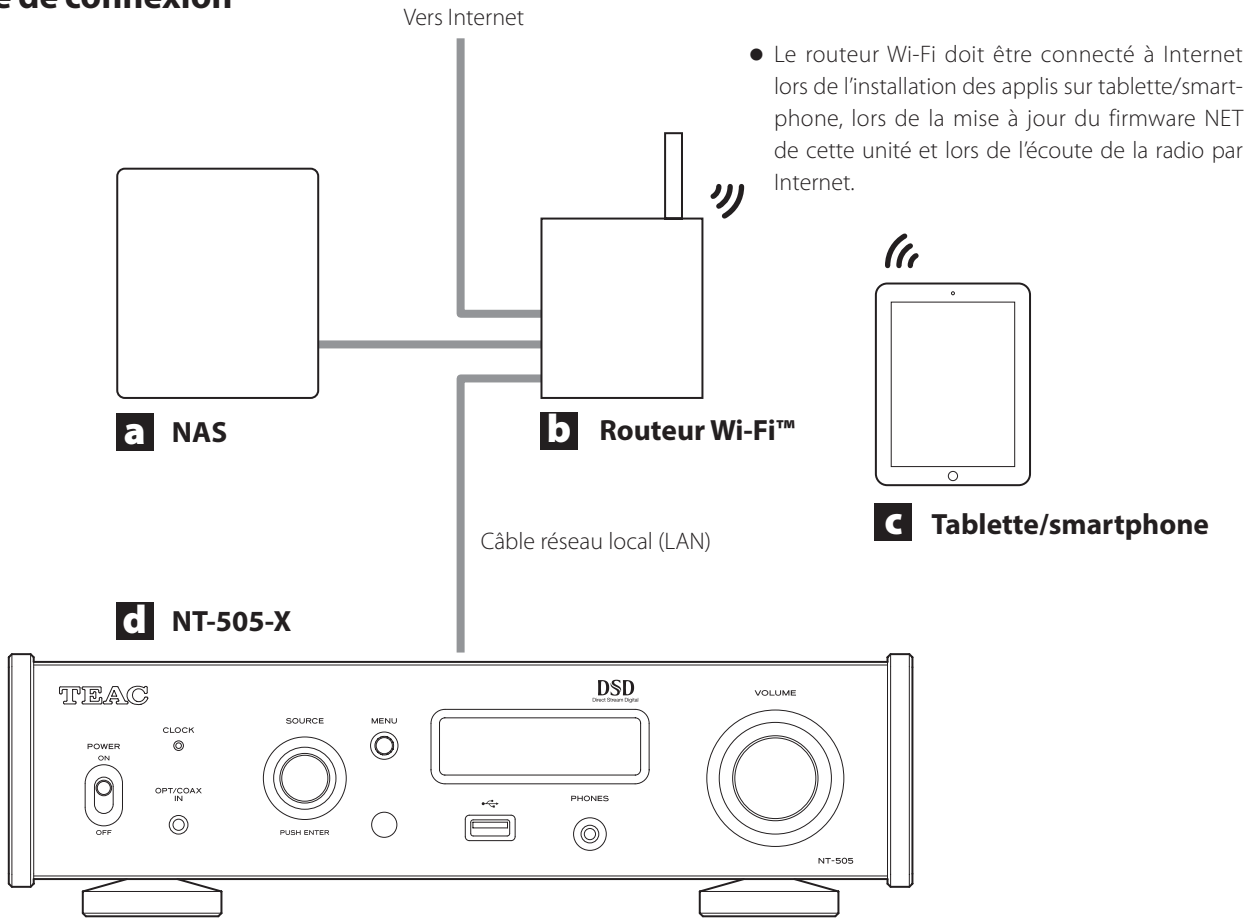
Consultez le mode d'emploi de TEAC HR Streamer pour préparer des playlists et lire des fichiers audio.

NOTE

Le firmware du module réseau se met à jour avec TEAC HR Streamer. Nous vous recommandons de sélectionner régulièrement cette unité dans TEAC HR Streamer et de mettre à jour son firmware avec la version la plus récente.

Une fenêtre recommandant une mise à jour du firmware apparaîtra si une telle mise à jour est disponible.

Exemple de connexion



FR

a Serveur NAS (Network-Attached Storage) de stockage en réseau

Sert à stocker les fichiers audio.

Pour qu'il puisse servir de serveur de médias, il doit fonctionner comme serveur UPnP. MinimServer est le serveur de média recommandé pour l'emploi avec cette unité.

b Routeur Wi-Fi™

Utilisez le Wi-Fi pour connecter la tablette ou le smartphone à cette unité et au NAS.

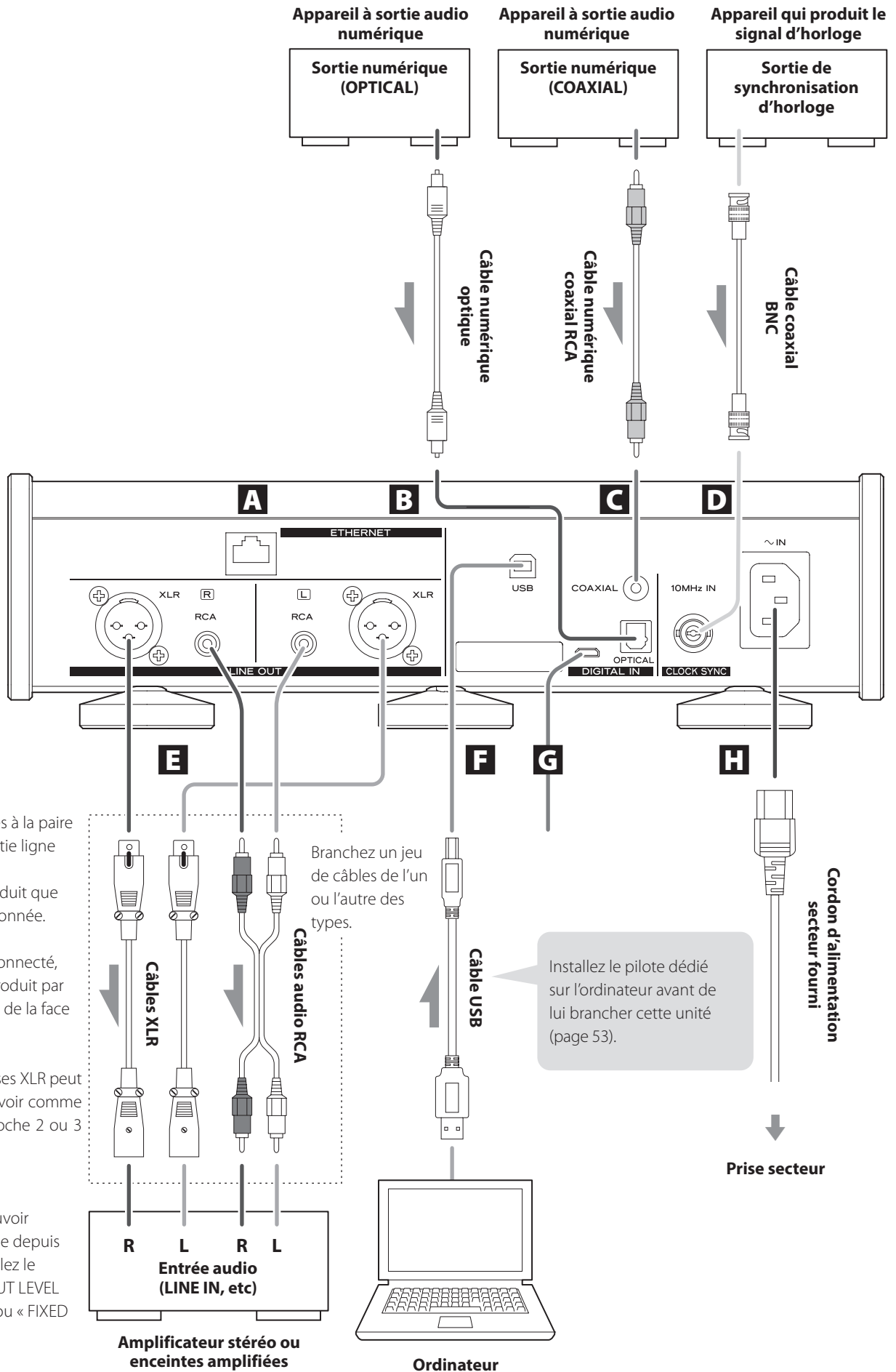
c Tablette/smartphone

Installez l'appli pour contrôler cette unité.

d NT-505-X

L'adresse IP de cette unité est obtenue auprès du serveur DHCP.

Branchements (face arrière)



Branchez les câbles à la paire choisie pour la sortie ligne (page 50). Le son ne sera produit que par la paire sélectionnée.

Si un casque est connecté, le son n'est plus produit par les prises de sortie de la face arrière.

La polarité des prises XLR peut être réglée pour avoir comme point chaud la broche 2 ou 3 (page 50).

Si vous voulez pouvoir contrôler le volume depuis l'amplificateur, réglez le paramètre LINE OUT LEVEL sur « FIXED 0dB » ou « FIXED +6dB » (page 51).

A Port ETHERNET

Connectez un câble réseau local (LAN) du commerce à ce port si vous souhaitez raccorder cette unité à un réseau filaire ou à Internet.

- Lorsque vous passez en revue les sources d'entrée, ce port apparaît sous le nom « NET ».

B Prise d'entrée audio numérique optique (OPTICAL)

Sert à faire entrer le signal audio numérique. Branchez-y la prise de sortie audio numérique optique d'un appareil audio numérique.

Pour le branchement, utilisez un câble numérique optique du commerce à connecteur carrés (TOSLINK).

C Prise d'entrée audio numérique coaxiale RCA (COAXIAL)

Sert à faire entrer le signal audio numérique. Branchez-y la prise de sortie audio numérique coaxiale d'un appareil audio numérique.

Pour le branchement, utilisez un câble numérique coaxial RCA du commerce.

D Connecteur d'entrée CLOCK SYNC (10MHz IN)

Sert à faire entrer un signal de synchronisation (horloge de synchro).

Pour recevoir le signal d'un oscillateur à 10 MHz, branchez ici la sortie de l'oscillateur (page 57).

Pour le branchement, utilisez un câble coaxial BNC du commerce.

- La synchronisation d'horloge (Clock sync) n'est pas possible si Bluetooth est choisi comme source d'entrée.

E Prises de sortie audio analogique (LINE OUT)

Elles produisent 2 canaux audio analogiques. Reliez ces prises XLR ou RCA à un amplificateur stéréo ou à des enceintes amplifiées.

Utilisez des câbles du commerce pour les branchements.

XLR : câbles XLR symétriques

RCA : câbles audio RCA

Reliez la prise R (droite) de cette unité à la prise R de l'amplificateur et sa prise L (gauche) à la prise L de l'amplificateur.

- Voir « Sortie ligne » en page 50 pour les réglages de sortie analogique.

F Port USB

Sert à recevoir le signal audio numérique d'un ordinateur. Reliez-le au port USB d'un ordinateur.

Pour le branchement, utilisez un câble USB 2.0 (type A-B) du commerce.

ATTENTION

Avant de brancher un ordinateur fonctionnant sous un système d'exploitation Windows, vous devez installer le pilote dédié sur l'ordinateur (page 53).

Une connexion correcte n'est pas possible avec un ordinateur sur lequel ce pilote n'a pas été installé.

G Port de maintenance

Sert à la maintenance. N'y branchez rien sauf si vous êtes invité à le faire par notre service après-vente.

H Prise d'entrée d'alimentation (~IN)

Branchez ici le cordon d'alimentation fourni.

Une fois tous les autres branchements terminés, branchez la fiche du cordon d'alimentation dans une prise secteur.

⚠ N'utilisez aucun cordon d'alimentation autre que celui fourni avec cette unité. L'utilisation d'autres cordons d'alimentation peut entraîner un incendie ou un choc électrique.

⚠ Débranchez le cordon de la prise secteur en cas de non-utilisation prolongée de l'unité.

⚠ Terminez tous les branchements avant de mettre l'unité sous tension.

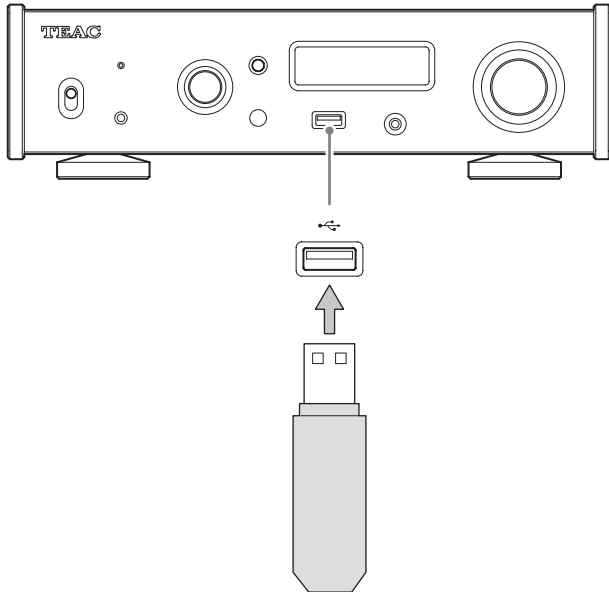
- Lisez attentivement les modes d'emploi des appareils que vous branchez et suivez leurs instructions quand vous faites les branchements.
- Ne regroupez pas les câbles de connexion avec des cordons d'alimentation. Cela pourrait entraîner des bruits.
- Branchez à fond toutes les fiches.

Branchements (face avant)

Clés USB

Branchez les clés USB au port USB en face avant de l'unité.
Pour lire les fichiers musicaux d'une clé USB, réglez la source d'entrée sur NET et utilisez l'appli pour la lecture.

- Pour des détails, voir le mode d'emploi de TEAC HR Streamer.



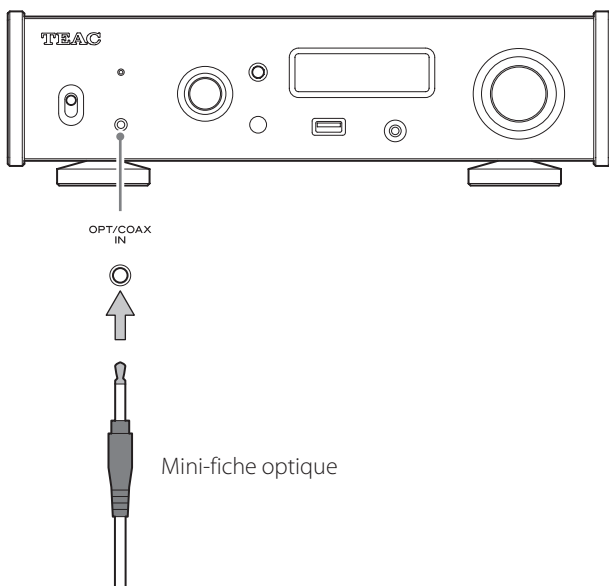
Entrée audio numérique (OPT/COAX IN)

Cette prise d'entrée peut être utilisée aussi bien pour la connexion optique (OPT) que coaxiale (COAX).

Connexion optique (OPT)

Utilisez un **câble optique à mini-fiche du commerce**.

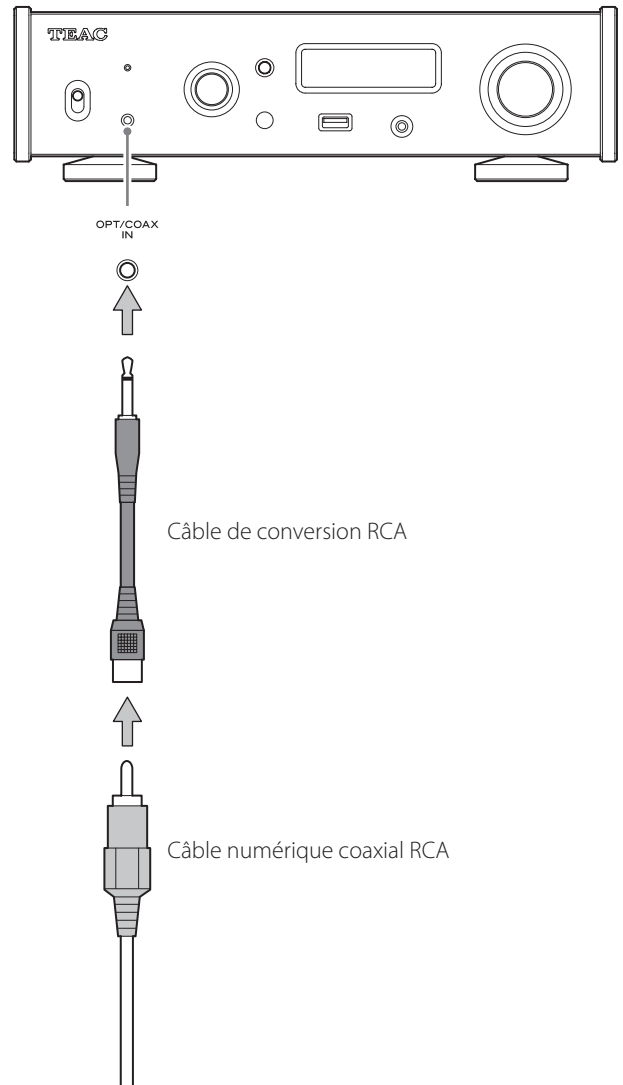
Pour activer cette entrée, tournez le sélecteur SOURCE afin de sélectionner OPTICAL2.



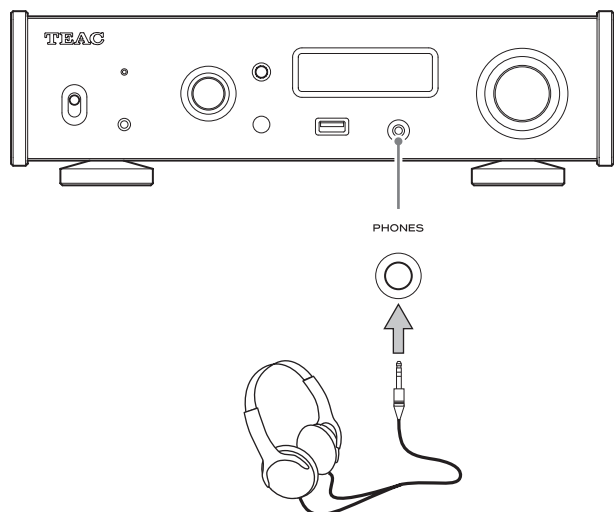
Connexion coaxiale (COAX)

Utilisez le câble de conversion RCA fourni et **un câble numérique coaxial RCA du commerce**.

Pour activer cette entrée, tournez le sélecteur SOURCE afin de sélectionner COAXIAL2.



Branchement d'un casque



ATTENTION

N'allumez/n'éteignez pas l'unité et ne branchez/débranchez pas le casque quand vous portez ce dernier.

Cela pourrait entraîner un bruit fort et soudain risquant d'endommager votre audition.

Avant de mettre le casque, baissez toujours le volume au minimum (l'écran doit afficher « 0 » avec un réglage sur « STEP (0-100) » ou « -∞ dB » avec un réglage sur « dB ») (page 45).

Emploi de la télécommande

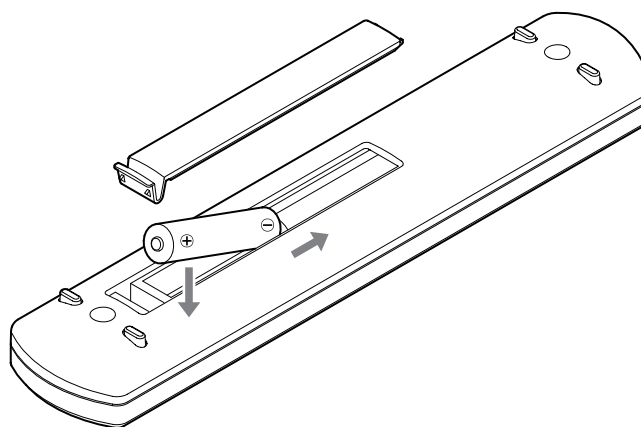
Précautions d'emploi

⚠ Un mauvais emploi des piles peut entraîner leur rupture ou leur fuite, avec pour conséquence un incendie, des blessures ou la salissure des objets proches. Veuillez attentivement lire et respecter les précautions en page 31.

- Pour utiliser la télécommande, pointez-la vers le capteur de télécommande de l'unité principale dans un rayon maximal de 5 m. Ne placez pas d'obstacles entre l'unité principale et la télécommande.
- La télécommande peut ne pas fonctionner si le capteur de signal de télécommande de l'unité est exposé à la lumière du soleil ou à une forte source lumineuse. Si cela se produit, essayez de déplacer l'unité.
- Sachez que l'emploi de cette télécommande peut entraîner le déclenchement involontaire d'opérations sur d'autres appareils contrôlables par rayons infrarouges.

Installation des piles

Ouvrez l'arrière de la télécommande et insérez deux piles AAA avec leurs pôles ⊕/⊖ orientés comme indiqué dans le boîtier. Remplacez le couvercle.

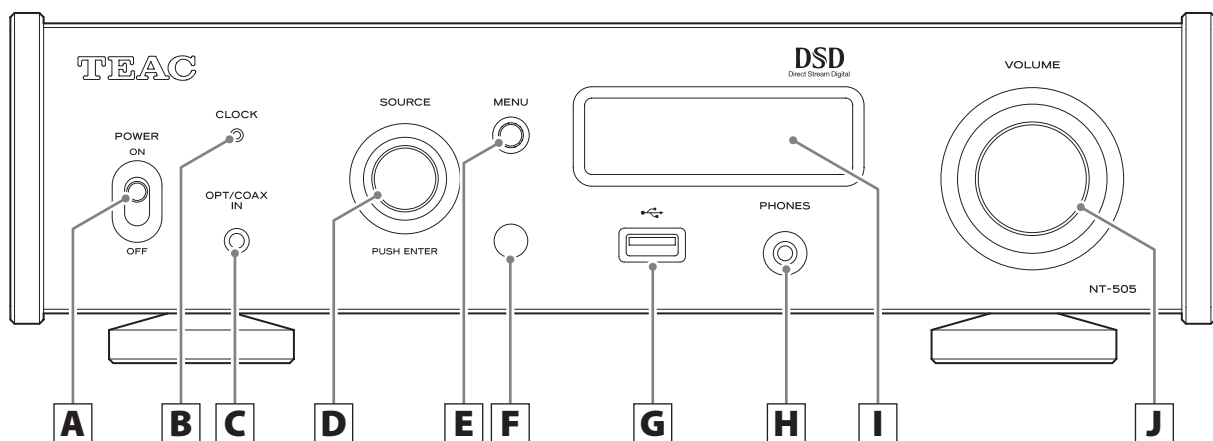


Quand faut-il remplacer les piles ?

Si la portée d'action de la télécommande diminue ou si l'unité principale cesse de répondre aux touches de la télécommande, remplacez les deux piles par des neuves.

Jetez les piles usagées conformément à leurs instructions ou aux directives établies par votre municipalité.

Nomenclature et fonctions des parties (unité principale)



A Interrupteur d'alimentation POWER

Sert à mettre l'unité sous et hors tension.

- Si l'écran reste sombre même après mise sous tension avec l'interrupteur d'alimentation POWER, une des raisons suivantes en est généralement la cause.
 - L'unité est sous tension, mais la luminosité de l'écran (DIMMER) est réglée sur OFF (page 51).
 - La fonction d'économie automatique d'énergie a fait passer l'unité en veille.
 - Le cordon d'alimentation est débranché.

Pour allumer l'unité, appuyez sur la touche STANDBY/ON de la télécommande, ou faites passer l'interrupteur d'alimentation POWER sur OFF avant de le ramener sur ON.

B Voyant CLOCK

Indique le statut de synchronisation d'horloge.

Allumé : L'unité est synchronisée avec le signal d'horloge reçu par la prise d'entrée CLOCK SYNC (10MHz IN).

Clignotant : Aucune horloge n'est reçue ou l'unité n'est pas en cours de synchronisation.

Éteint : Il n'y a aucune synchronisation d'horloge.

- La synchronisation d'horloge (Clock sync) n'est pas possible si Bluetooth est choisi comme source d'entrée.
- Voir page 50 les réglages de synchronisation d'horloge.

C Prise d'entrée audio numérique (OPT/COAX IN)

Sert à recevoir l'audio numérique (page 38).

Connexion optique : utilisez un câble optique à mini-fiche.

Connexion coaxiale : utilisez le câble de conversion RCA fourni.

D Sélecteur SOURCE

Sert à sélectionner la source d'entrée.

Sert à changer les valeurs de réglage quand un paramètre de menu est affiché.

Pressez-le pour l'utiliser comme touche de validation (ENTER). Tournez-le lorsque le menu est ouvert pour changer de paramètre affiché ou pour modifier la valeur de réglage.

E Touche MENU

Appuyez sur cette touche pour passer en mode de réglage (page 49).

Appuyez sur cette touche en mode de réglage pour revenir à l'écran précédent.

F Capteur de signal de télécommande

Reçoit les signaux de la télécommande. Pour utiliser la télécommande, pointez-la vers le capteur de signal de télécommande.

G Port USB ()

Branchez ici les clés USB.

- Pour lire les fichiers musicaux d'une clé USB, réglez la source d'entrée sur NET et utilisez l'appli pour la lecture.
- Ne branchez pas un ordinateur au port USB en face avant de l'unité. Pour recevoir le signal audio d'un ordinateur, connectez ce dernier au port USB de la face arrière de l'unité.
- Pour des détails, voir le mode d'emploi de TEAC HR Streamer.

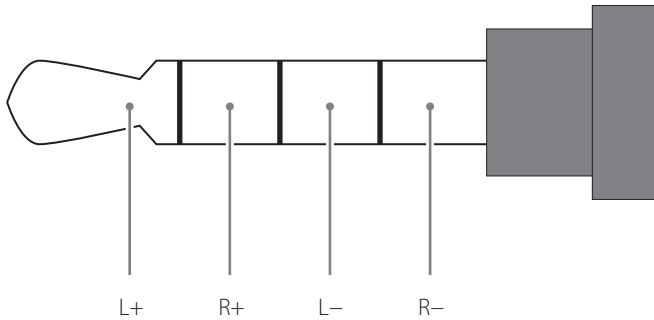
Conversion ascendante

H Prise casque (PHONES)

Branchez ici un casque à fiche mini-jack 3,5 mm stéréo (page 39).

- Ce circuit d'amplification pour casque utilise un connecteur à 4 points avec mise à la masse indépendante pour la gauche et la droite. Des fiches ordinaires à 3 ou 4 points peuvent être utilisées.
- Quand un casque est connecté à cette unité, la sortie casque est activée et le son cesse d'être produit par les prises de sortie audio analogique (LINE OUT) de la face arrière.

Schéma de câblage



I Écran

Cet écran affiche des informations sur le signal audio lu et les pages du menu.

J Bouton VOLUME

Sert à régler le volume. Tournez-le vers la droite pour monter le volume et vers la gauche pour le baisser.

- Pour permettre le réglage du volume de sortie audio analogique de cette unité, réglez LINE OUT LEVEL (niveau de sortie ligne) sur VARIABLE (« Niveau de sortie ligne » en page 51). Cela permettra d'utiliser le bouton VOLUME de cette unité pour régler le niveau de sortie analogique.
- Les réglages de volume sont conservés séparément pour la sortie audio analogique et la sortie casque.

Vous pouvez utiliser la fonction de conversion ascendante avec toutes les sources d'entrée (page 50).

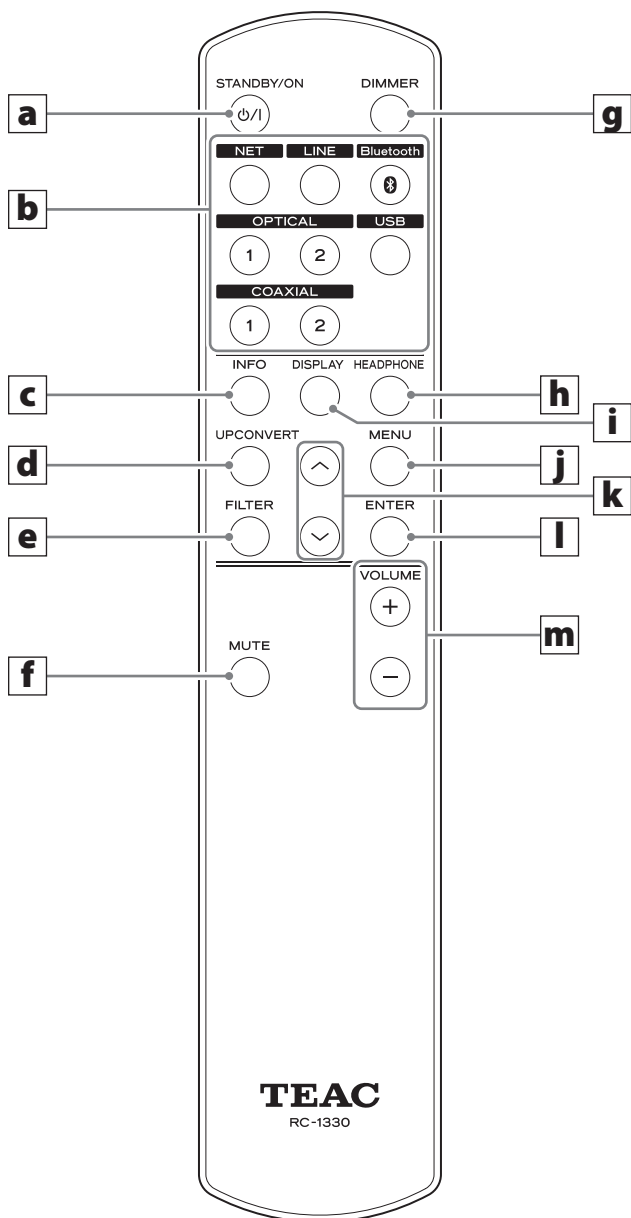
Les relations entre les fréquences d'échantillonnage en entrée et celles après conversion ascendante sont les suivantes.

Source d'entrée		Réglage de conversion ascendante					
Entrée audio numérique	USB	OFF	2x Fs	4x Fs	8x Fs	DSD 256	DSD 512
		Fréquence d'échantillonnage d'entrée [kHz]		Fréquence d'échantillonnage après conversion ascendante			
		[kHz]	[kHz]			[MHz]	
32	–	32	64	128	256	8,1	16,3
44,1	44,1	44,1	88,2	176,4	352,8	11,2	22,5
88,2	88,2	88,2	88,2	176,4	352,8	11,2	22,5
176,4	176,4	176,4	176,4	176,4	352,8	11,2	22,5
–	352,8	352,8	352,8	352,8	352,8	11,2	22,5
–	705,6	705,6	705,6	705,6	705,6	11,2	22,5
48	48	48	96	192	384	12,2	24,5
96	96	96	96	192	384	12,2	24,5
192	192	192	192	192	384	12,2	24,5
–	384	384	384	384	384	12,2	24,5
–	768	768	768	768	768	12,2	24,5

 Ces valeurs ne sont pas converties.

- La conversion ascendante maximale est de 8 fois la fréquence d'échantillonnage (Fs).
- La conversion ascendante n'est pas possible avec une entrée DSD.
- Pendant la lecture de fichiers MQA, la conversion ascendante 4x Fs est utilisée quel que soit ce réglage.

Nomenclature et fonctions des parties (télécommande)



a Touche STANDBY/ON

Appuyez sur cette touche pour mettre l'unité en veille ou pour l'allumer.

b Touches de sélection d'entrée

Servent à sélectionner la source de lecture.

- La touche LINE n'a pas de fonction.

c Touche INFO

Affiche des informations, dont la conversion ascendante (page 44).

d Touche UP CONVERT

Appuyez sur cette touche pour changer le réglage de conversion ascendante.

e Touche FILTER

Appuyez sur cette touche pour changer le réglage du filtre. Cela modifie le filtre pour l'entrée PCM.

f Touche MUTE

Sert à couper le son.

g Touche DIMMER

Appuyez sur cette touche pour régler la luminosité de l'écran de l'unité principale.

h Touche HEADPHONE

Appuyez sur cette touche pour activer/désactiver la sortie casque. Lorsque la sortie casque est désactivée, le son est produit par les prises de sortie audio analogique (LINE OUT).

i Touche DISPLAY

j Touche MENU

Appuyez sur cette touche pour passer en mode de réglage (page 49).

Appuyez sur cette touche en mode de réglage pour revenir à l'écran précédent.

k Touches Haut/Bas (^/∨)

Servent à sélectionner les paramètres de réglage.

l Touche ENTER

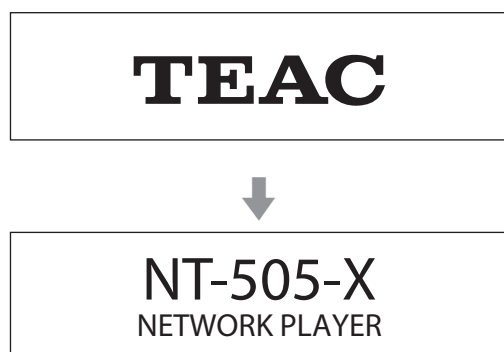
Appuyez sur cette touche pour valider la sélection du paramètre.

m Touches VOLUME (+/-)

Servent à régler le volume.

Quand l'unité principale et la télécommande ont toutes les deux des touches ayant les mêmes fonctions, ce mode d'emploi explique comment utiliser l'une ou l'autre. La touche homologue peut s'utiliser de la même façon.

À la mise sous tension



Après l'apparition des messages ci-dessus, la source d'entrée s'affiche à l'écran.

Informations sur la source de lecture

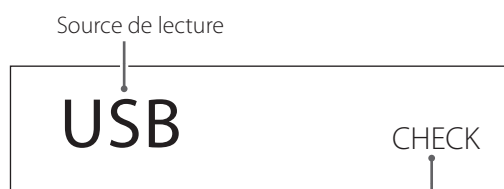
L'affichage d'informations sur la source de lecture apparaîtra après la mise sous tension de l'unité ainsi qu'après environ 7 secondes sans action alors qu'un écran de réglage est ouvert.

Le format ou le volume du signal entrant sont affichés à droite de la source de lecture. Appuyez sur la touche DISPLAY de la télécommande pour changer ce qui est affiché.

Exemple d'affichage

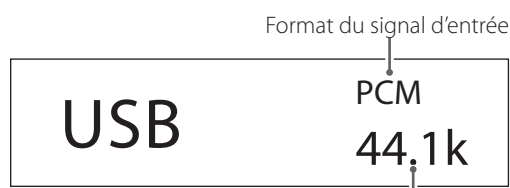
Affichage d'informations sur la source de lecture

À l'arrêt



Affiché pendant la vérification de la connexion

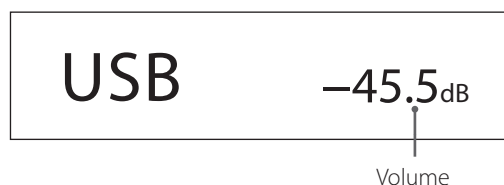
En lecture



Fréquence d'échantillonnage

Appuyez sur la touche DISPLAY de la télécommande.

Affichage du volume



Nom de la source de lecture

Affiche le nom de la source sélectionnée.

Les noms affichés correspondent aux prises sélectionnées comme suit :

Les noms entre parenthèses apparaissent lors du changement.

USB (USB)

Port USB de la face arrière

COAX1 (COAXIAL 1)

Prise d'entrée audio numérique coaxiale RCA (COAXIAL) de la face arrière

COAX2 (COAXIAL 2)

Connexion coaxiale à la prise d'entrée audio numérique (OPT/COAX IN) de la face avant

OPT1 (OPTICAL 1)

Prise d'entrée audio numérique optique (OPTICAL) de la face arrière

OPT2 (OPTICAL 2)

Connexion optique à la prise d'entrée audio numérique (OPT/COAX IN) de la face avant

NET (NETWORK)

Port ETHERNET

Bluetooth (Bluetooth)

Appareil Bluetooth

Statut du signal d'entrée

Affiche le statut du signal de la source d'entrée.

CHECK

La connexion est en cours de vérification.

PCM 32kHz

PCM 44.1kHz

PCM 48kHz

PCM 88.2kHz

PCM 96kHz

PCM 128kHz

PCM 176.4kHz

PCM 192kHz

PCM 256kHz

PCM 352.8kHz

PCM 384kHz

PCM 705.6kHz

PCM 768kHz

DSD 2.8MHz

DSD 5.6MHz

DSD 11.2MHz

DSD 22.5MHz

Ces indications donnent le type et la fréquence d'échantillonnage du signal entrant.

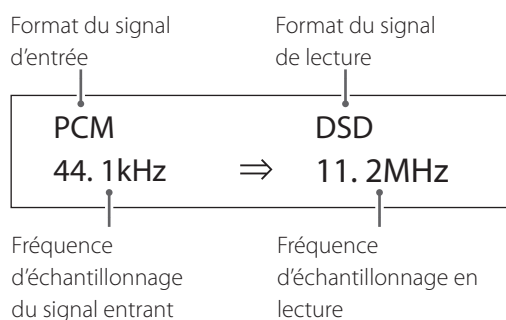
Affichage (suite)

Affichage d'informations sur le format de lecture

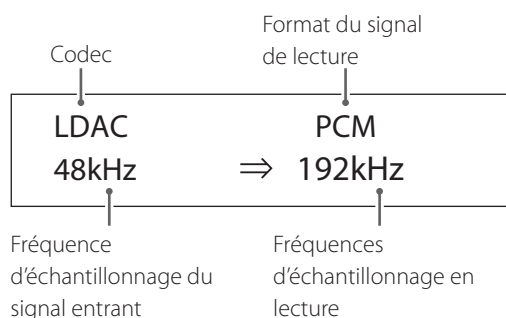
Appuyez sur la touche INFO de la télécommande pendant la lecture pour afficher des informations sur le format de lecture.

Exemple avec la source de lecture réglée sur USB, COAX1, COAX2, OPT1 ou OPT2

- Les affichages de signal entrant et de signal de lecture seront les mêmes si la conversion ascendante est réglée sur « OFF ».



Exemple avec la source de lecture réglée sur NET ou Bluetooth



Affichage du volume

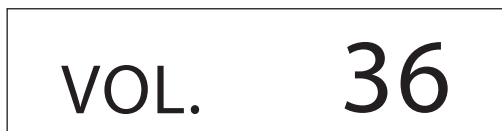
Deux types d'unité de volume peuvent être utilisés : STEP (paliers) et dB.

Le choix se fait au moyen du paramètre VOLUME TYPE (page 51).

Le réglage de volume s'affiche en grand quand vous tournez le bouton VOLUME de cette unité.

VOLUME TYPE réglé sur « STEP (0-100) »

Exemple d'affichage



Le niveau maximal de volume est 100, et le niveau minimal 0. Avant de brancher un casque, réglez le bouton VOLUME au minimum (0). Ne pas le faire pourrait causer des bruits forts et soudains qui risqueraient d'endommager votre audition ou d'entraîner d'autres problèmes.

VOLUME TYPE réglé sur « dB »

Exemple d'affichage



Le niveau maximal de volume est 0, et le niveau minimal $-\infty$ (moins l'infini). Avant de brancher un casque, réglez le bouton VOLUME au minimum ($-\infty$). Ne pas le faire pourrait causer des bruits forts et soudains qui risqueraient d'endommager votre audition ou d'entraîner d'autres problèmes.

Le niveau de sortie réglé s'affiche quand LINE OUT LEVEL est réglé sur « FIXED 0dB » ou « FIXED +6 dB ».

Exemple avec VOLUME TYPE réglé sur « dB »



- Si VOLUME TYPE est réglé sur « STEP (0-100) », « VOL. 86 » s'affiche pour un réglage « FIXED 0dB » et « VOL. 90 » s'affiche pour un réglage « FIXED +6dB ».

S'il n'y a pas de casque branché et si LINE OUT LEVEL est réglé sur « OFF », « VOL. 0 » ou « $-\infty$ dB » s'affiche.

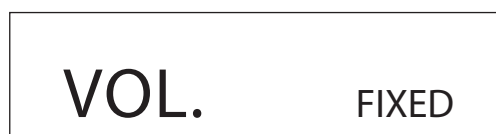
Exemple avec VOLUME TYPE réglé sur « dB »



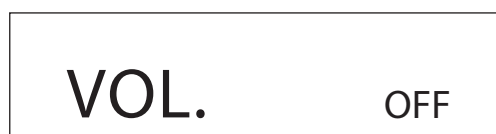
S'il n'y a pas de casque branché et si LINE OUT LEVEL est réglé sur FIXED ou sur OFF

Tourner le bouton VOLUME entraîne l'affichage suivant.

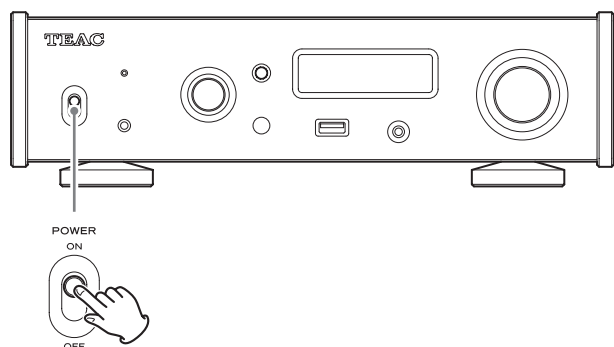
LINE OUT LEVEL réglé sur FIXED



LINE OUT LEVEL réglé sur OFF

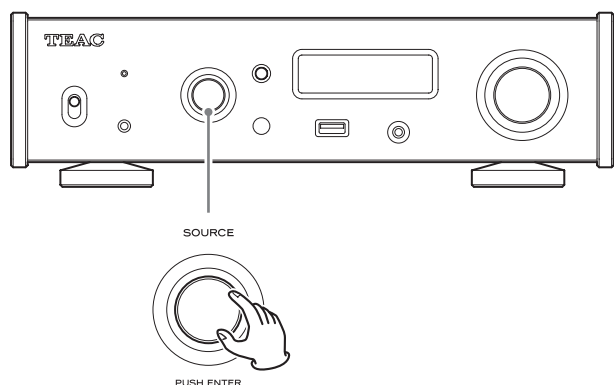


1 Basculez l'interrupteur d'alimentation POWER en position ON pour allumer l'unité.



- Si un amplificateur stéréo est connecté à cette unité, allumez-le toujours en dernier.

2 Tournez le sélecteur SOURCE pour choisir la source d'entrée.



La source sélectionnée s'affiche à l'écran.

- Vous pouvez aussi utiliser les touches de sélection d'entrée de la télécommande.
- Si le signal entrant n'est pas un signal audio numérique ou est à un format non pris en charge par cette unité, comme du Dolby Digital ou du DTS, aucun signal audio n'est produit. Réglez la sortie numérique de l'appareil connecté pour produire un signal audio PCM.
- Pour lire des fichiers audio quand cette unité est réglée sur USB, vous devez préalablement installer un pilote dédié sur l'ordinateur avant de les relier (page 53).
- Les données DSD ne peuvent être lues que si la source d'entrée est réglée sur USB ou NET (y compris les clés USB) ou si vous utilisez une entrée numérique au format DoP.
- Pour utiliser l'entrée NET ou le port USB de la face avant, installez l'appli TEAC HR Streamer (gratuite) sur un smartphone et une tablette et connectez ce dernier au même réseau que l'unité.

3 Lancez la lecture sur l'appareil source.

Référez-vous au mode d'emploi de cet appareil.

4 Réglez le volume.

Quand on utilise les sorties ligne

Quand LINE OUT LEVEL (niveau de sortie ligne) est réglé sur VARIABLE, tournez le bouton VOLUME de cette unité pour régler le volume.

Si LINE OUT LEVEL est réglé différemment, le volume ne peut pas être contrôlé depuis cette unité. Utilisez l'amplificateur stéréo ou un autre appareil connecté à cette unité pour régler le volume.

Quand un casque est connecté à cette unité

Tournez le bouton VOLUME de cette unité pour régler le volume.

- Quand le bouton VOLUME de cette unité est employé, le réglage de volume s'affiche.

Technologie sans fil Bluetooth®

Notes pour la technologie sans fil Bluetooth®

Si vous utilisez cette unité avec un téléphone mobile ou d'autres dispositifs à technologie sans fil Bluetooth, ils ne doivent pas être éloignés l'un de l'autre de plus de 10 m.

Toutefois, selon les conditions d'utilisation, la distance effective de transmission peut être réduite.

La communication sans fil ne peut pas être garantie pour tous les appareils à technologie sans fil Bluetooth.

Pour déterminer la compatibilité entre cette unité et un autre appareil à technologie sans fil Bluetooth, reportez-vous au mode d'emploi de cet appareil ou contactez le magasin dans lequel vous l'avez acheté.

Profils

Cet unité prend en charge les profils Bluetooth suivants.

- Profil de distribution audio avancée A2DP (Advanced Audio Distribution Profile)
- Profil de télécommande audio/vidéo AVRCP (Audio/Video Remote Control Profile)

Pour qu'un signal audio passe par transmission sans fil Bluetooth, l'appareil Bluetooth doit prendre en charge l'A2DP.

Pour contrôler la lecture sur l'appareil Bluetooth, celui-ci doit prendre en charge l'AVRCP.

Même si des appareils Bluetooth prennent en charge les mêmes profils, leurs fonctions peuvent différer en fonction de leurs spécifications.

Codecs

Cette unité prend en charge les codecs suivants. Elle sélectionne automatiquement l'un d'eux pour le transfert audio.

- SBC
- AAC
- Qualcomm® aptX™ audio
- Qualcomm® aptX™ HD audio
- LDAC

L'unité sélectionnera le codec approprié à utiliser en fonction de la compatibilité de codec de l'autre appareil Bluetooth et des conditions de communication.

Le LDAC est une technologie de codage audio mise au point par Sony qui permet la transmission de contenu audio en haute résolution (Hi-Res), même par connexion Bluetooth.

Contrairement aux autres technologies de codage compatibles Bluetooth telles que le SBC, il fonctionne sans conversion descendante du contenu audio Hi-Res*, et permet de transmettre sur un réseau sans fil Bluetooth environ trois fois plus de données** que ces autres technologies avec une qualité sonore sans précédent grâce à un codage efficace et une optimisation en paquets.

*À l'exclusion des contenus au format DSD.

** Par rapport au SBC (Subband Coding) quand on sélectionne le débit binaire de 990 kbit/s (96/48 kHz) ou 909 kbit/s (88,2/44,1 kHz)

NOTE

- Vous ne pouvez pas sélectionner le codec à utiliser, par exemple en appuyant sur un bouton.
- De par les caractéristiques de la technologie sans fil Bluetooth, la lecture sur cet appareil sera légèrement retardée par rapport à celle sur l'appareil Bluetooth.

Protection de contenu

Cette unité prend en charge la protection de contenu SCMS-T lors de la transmission audio, afin de pouvoir reproduire un signal audio protégé.

Sécurité de transmission

Durant la transmission sans fil Bluetooth, cette unité prend en charge les fonctions de sécurité conformément aux spécifications de la norme Bluetooth, mais elle ne garantit pas la confidentialité de ces transmissions.

TEAC Corporation décline toute responsabilité en cas de fuite d'informations au cours de la transmission sans fil Bluetooth.

Appairage avec un autre appareil Bluetooth

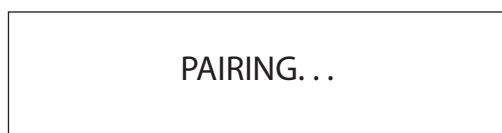
L'appairage de cette unité avec un autre appareil Bluetooth est nécessaire la première fois que vous l'utilisez et la première fois que vous la connectez à un autre appareil Bluetooth.

1 Tournez le bouton SOURCE pour choisir Bluetooth.



2 Activez la transmission Bluetooth sur l'autre appareil Bluetooth.

3 Maintenez pressé le sélecteur SOURCE pour passer en mode d'appairage.



- « PAIRING... » clignote lors de l'appairage.

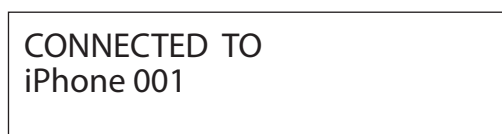
4 Sur l'autre appareil Bluetooth, sélectionnez « NT-505-X » (cette unité).

Après passage de cette unité en mode d'appairage, appairez-la depuis l'autre appareil Bluetooth.

Pour des détails, référez-vous au mode d'emploi de cet appareil Bluetooth.

Après connexion, l'écran affiche le nom de l'appareil connecté, suivi de la source d'entrée.

Exemple d'affichage



Lecture depuis un appareil Bluetooth

- Appairez cette unité la première fois que vous l'utilisez et lorsque vous souhaitez la connecter pour la première fois à un nouvel appareil Bluetooth (page 47).
- Lors de l'appairage ou de la connexion avec un autre appareil Bluetooth, ceux-ci doivent être à quelques mètres l'un de l'autre. S'ils sont trop éloignés, l'appairage et la connexion peuvent s'avérer impossibles.

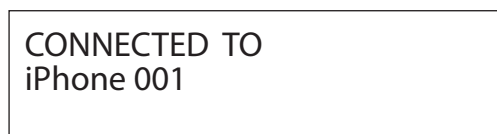
1 Activez la transmission Bluetooth sur l'autre appareil Bluetooth.

2 Tournez le bouton SOURCE pour choisir Bluetooth.

Cela règle la source sur Bluetooth.

- Vous pouvez aussi utiliser la touche Bluetooth de la télécommande.

Exemple d'affichage



Cette unité va rechercher les appareils appairés et automatiquement s'y connecter si elle en trouve un.

ATTENTION

Selon l'appareil source, vous pouvez également avoir à effectuer des opérations de connexion sur celui-ci.

Si vous ne parvenez pas à établir la connexion, consultez le mode d'emploi de l'appareil source.

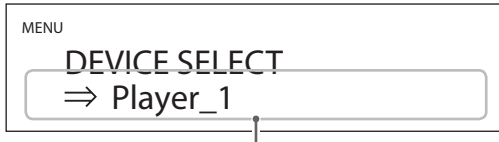
Technologie sans fil Bluetooth® (suite)

Changement d'appareil connecté

1 Tournez le sélecteur SOURCE pour afficher DEVICE SELECT (sélection d'appareil).

La ligne du bas de l'écran affiche le nom du dernier appareil connecté.

Exemple d'affichage



Nom du dernier appareil connecté

2 Tournez le sélecteur SOURCE pour afficher les appareils Bluetooth déjà appairés.

- L'unité peut mémoriser un maximum de huit appairages d'appareil.
- Si aucun appareil appairé n'est disponible, l'affichage est le suivant.



- Maintenez pressée la touche ENTER pour passer en mode d'appairage (page 47).
- Les 16 premiers caractères du nom de l'appareil sont affichés.
- Si le nom de l'appareil contient des caractères autres que des chiffres et des lettres anglaises, il ne s'affichera pas correctement.

3 Appuyez sur le sélecteur SOURCE pour établir la connexion.

Après connexion, l'écran affiche la source d'entrée.

ATTENTION

- Quel que soit l'état de la connexion de cette unité avec l'autre appareil Bluetooth, si la source d'entrée n'est pas affichée, faites redémarrer à la fois cette unité et l'autre appareil et reconnectez-les.
- Selon l'appareil source, vous pouvez également avoir à effectuer des opérations de connexion sur celui-ci. Si vous ne parvenez pas à établir la connexion, consultez le mode d'emploi de l'appareil source.

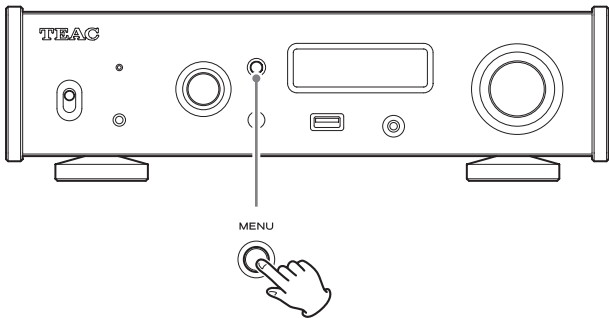
4 Lancez la lecture sur l'autre appareil Bluetooth.

- Vérifiez que le volume est monté sur l'autre appareil Bluetooth. Si vous ne montez pas le volume sur l'appareil de lecture, aucun son ne pourra sortir de cette unité.

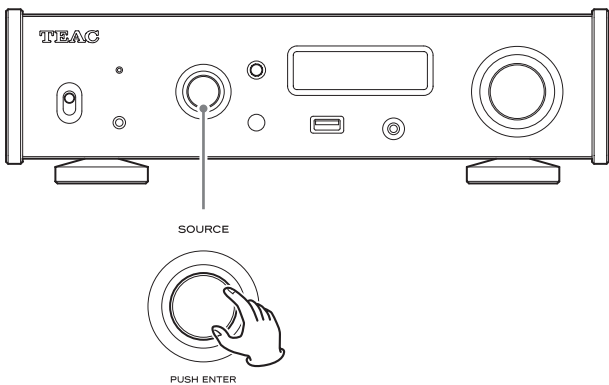
NOTE

Maintenez pressée la touche MENU pour effacer un appareil appairé.

1 Appuyez sur la touche MENU pour ouvrir l'écran de menu.

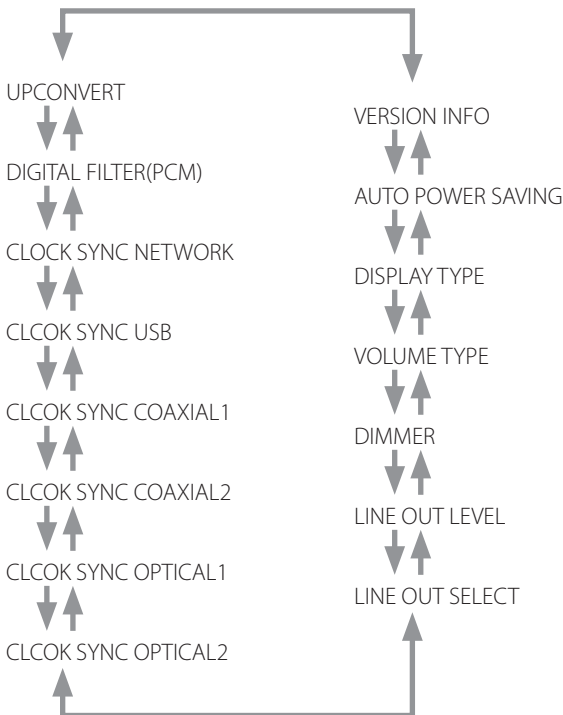


2 Tournez le sélecteur SOURCE pour choisir le paramètre que vous souhaitez régler.

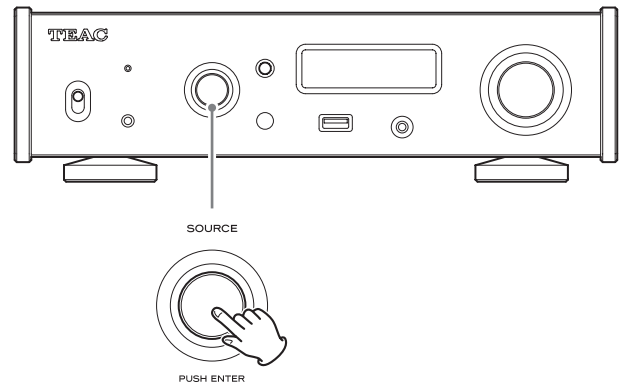


- Vous pouvez aussi utiliser les touches Haut et Bas (∧, ∨) de la télécommande.

Les paramètres de menus apparaissent dans l'ordre suivant.



3 Appuyez sur le sélecteur SOURCE.



- Vous pouvez aussi appuyer sur la touche ENTER de la télécommande.
- La valeur actuellement réglée s'affiche à l'écran.

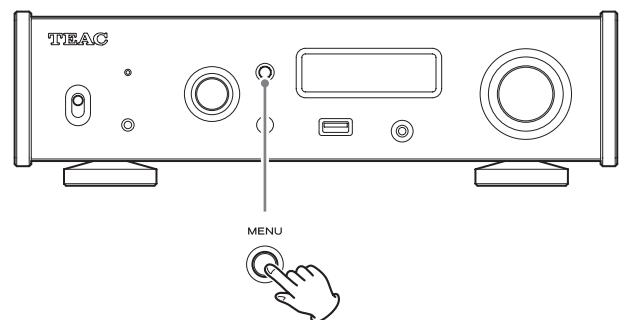
4 Tournez le sélecteur SOURCE pour changer la valeur de réglage.

- Vous pouvez aussi utiliser les touches Haut et Bas (∧, ∨) de la télécommande.
- Appuyez sur la touche MENU pour revenir à la sélection de paramètres de réglage.

5 Appuyez sur le sélecteur SOURCE.

- Vous pouvez aussi appuyer sur la touche ENTER de la télécommande.

6 Quand vous avez fini vos réglages, appuyez sur la touche MENU pour réafficher le statut de source d'entrée.



- Si vous ne faites rien durant 7 secondes, l'écran retourne à l'affichage du statut de source d'entrée.

Réglages (suite)

Conversion ascendante

Sert à activer le circuit de conversion ascendante quand des signaux PCM sont reçus.

- Voir page 41 pour les relations entre les fréquences d'échantillonnage en entrée et celles après conversion ascendante.
- Pendant la lecture de fichiers MQA, la conversion ascendante 4x Fs est utilisée quel que soit ce réglage.



OFF

Le signal entrant d'origine est directement transmis au convertisseur N/A sans conversion ascendante.

2x Fs

Si la fréquence d'échantillonnage du signal audio entrant est inférieure à 2 fois une valeur standard, elle bénéficie d'une conversion ascendante 2x avant l'envoi au convertisseur N/A.

4x Fs

Si la fréquence d'échantillonnage du signal audio entrant est inférieure à 4 fois une valeur standard, elle bénéficie d'une conversion ascendante 4x avant l'envoi au convertisseur N/A.

8x Fs

Si la fréquence d'échantillonnage du signal audio entrant est inférieure à 8 fois une valeur standard, elle bénéficie d'une conversion ascendante 8x avant l'envoi au convertisseur N/A.

DSD 256

DSD 512

La source d'entrée est convertie au format numérique DSD avant d'être envoyée au convertisseur N/A.

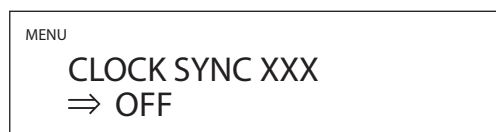
Filtre numérique PCM

Détermine le type de filtre numérique utilisé lors de la conversion de signaux numériques PCM en analogique.



Synchronisation d'horloge

- La synchronisation d'horloge (Clock sync) est possible lorsque la source d'entrée est réglée sur USB, COAXIAL 1/2, OPTICAL 1/2 ou NETWORK (y compris les clés USB).



OFF

Aucune synchronisation d'horloge n'est utilisée.

ON

L'horloge maître de cette unité sera synchronisée sur l'horloge 10 MHz reçue par la prise d'entrée CLOCK SYNC (10MHz IN).

ATTENTION

Pour utiliser la synchronisation d'horloge avec « COAXIAL 1/2 » ou « OPTICAL 1/2 », l'appareil de sortie audio numérique connecté doit prendre en charge la synchronisation d'horloge et être synchronisé sur la même source d'horloge que cette unité.

Si seule cette unité est synchronisée avec l'appareil source de l'horloge, du bruit peut apparaître dans le son lu.

Sortie ligne

Sert à sélectionner les prises d'où sortira le signal audio analogique.

- La sortie ne peut pas se faire en même temps par les prises RCA et les prises XLR.



RCA

Sortie par les prises RCA.

XLR (HOT 2)

Sortie par les prises XLR avec le point chaud sur la broche 2.

XLR (HOT 3)

Sortie par les prises XLR avec le point chaud sur la broche 3.

Niveau de sortie ligne

Sert à sélectionner le niveau du signal audio produit par les prises de sortie audio analogique (LINE OUT).



FIXED 0dB

La sortie maximale est de 2 Vrms. Choisissez ce réglage si vous souhaitez régler le volume à l'aide d'un amplificateur.

- Aucun son ne sortira si un casque est branché.

FIXED +6dB

La sortie maximale est de 4 Vrms. Choisissez ce réglage si vous souhaitez régler le volume à l'aide d'un amplificateur.

- Aucun son ne sortira si un casque est branché.
- En cas de distorsion du son, choisissez le réglage FIXED 0dB.

VARIABLE

Cela permettra d'utiliser le bouton VOLUME pour régler le niveau de sortie analogique. Optez pour ce réglage si vous souhaitez utiliser cette unité pour régler le volume.

- Aucun son ne sortira si un casque est branché.

OFF

Aucun son n'est produit.

Luminosité de l'écran



DARK

Sombre

SLIGHTLY BRIGHT

Faiblement éclairé

BRIGHT

Brillamment éclairé

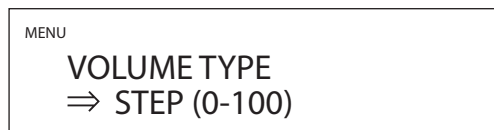
AUTO OFF

S'éteint automatiquement

- L'écran reste éteint même quand l'unité est allumée.

Affichage du volume

Détermine la façon dont s'affiche le volume.



STEP (0-100)

Le volume est indiqué en paliers allant de 0 (minimum) à 100 (maximum).

dB

Indique le volume en décibels (dB).

Affichage à l'écran

Sélectionne l'information affichée à droite de la source de lecture.



VOLUME

Le volume sera indiqué.

SAMPLING FREQ.

Des informations sur la source de lecture seront affichées.

Réglages (suite)

Fonction d'économie automatique d'énergie

Cette unité a une fonction d'économie automatique d'énergie.

- La fonction d'économie automatique d'énergie est activée lorsque l'unité quitte l'usine.



OFF

La fonction d'économie automatique d'énergie est désactivée.

ON

L'unité bascule automatiquement en mode de veille si aucun signal audio n'est produit et si aucune opération n'est effectuée durant environ 30 minutes.

Affichage d'informations

Affiche la version de firmware utilisée par l'unité.



SYSTEM

Version de firmware du micro-ordinateur interne

USB

Version de firmware du module USB

Bluetooth

Version de firmware du module Bluetooth

NETWORK

Version de firmware du module réseau

Systèmes d'exploitation pris en charge

Cette unité peut être connectée par USB et utilisée avec un ordinateur fonctionnant sous un des systèmes d'exploitation suivants.

Le fonctionnement avec d'autres systèmes d'exploitation n'est pas garanti (en date de mai 2023).

Avec un Mac

macOS High Sierra (10.13)

macOS Mojave (10.14)

macOS Catalina (10.15)

macOS Big Sur (11)

macOS Monterey (12)

macOS Ventura (13)

Avec Windows

Windows 8 (32/64 bits)

Windows 8.1 (32/64 bits)

Windows 10 (32/64 bits)

Windows 11

Installation du pilote

Avec un Mac

Cette unité peut fonctionner avec le pilote standard du système d'exploitation (OS), donc il n'y a pas besoin d'installer de pilote.

Un pilote dédié doit toutefois être installé sur l'ordinateur pour utiliser Bulk Pet.

Avec Windows

Pour utiliser cette unité afin de lire des fichiers sur un ordinateur, installez le pilote dédié sur l'ordinateur.

AVIS IMPORTANT

Vous devez installer le pilote logiciel dédié avant de brancher cette unité à un ordinateur à l'aide d'un câble USB.

Si vous branchez l'unité à l'ordinateur par USB avant d'installer le pilote, elle ne fonctionnera pas correctement.

Selon le matériel et le logiciel de l'ordinateur, un bon fonctionnement peut ne pas être possible même avec les systèmes d'exploitation ci-dessus.

Installation du pilote sur un ordinateur

Installez le pilote logiciel dédié sur l'ordinateur après l'avoir téléchargé à l'adresse ci-dessous.

Pour plus de détails sur les procédures d'installation et de configuration du système d'exploitation, voir le guide d'installation fourni avec le pilote TEAC ASIO USB DRIVER.

Site international de TEAC

<https://teac.jp/int/product/nt-505-x/download>

Note à propos des modes de transmission

Cette unité peut transférer les données en mode isochrone ou Bulk Pet.

Les fréquences d'échantillonnage qui peuvent être transmises sont 44,1 kHz, 48 kHz, 88,2 kHz, 96 kHz, 176,4 kHz, 192 kHz, 352,8 kHz, 384 kHz, 705,6 kHz et 768 kHz.

Quand la connexion est correcte, vous pouvez sélectionner « TEAC USB AUDIO DEVICE » comme sortie audio dans le système d'exploitation de l'ordinateur.

- Les données audio envoyées par l'ordinateur seront traitées en suivant l'horloge de cette unité durant la transmission des données, afin de réduire la gigue.

Téléchargement de l'application de lecture TEAC HR Audio Player

Vous pouvez télécharger depuis le site international de TEAC (<https://teac.jp/int/>) des versions pour Mac et Windows de notre application gratuite TEAC HR Audio Player qui assure la lecture de fichiers DSD.

https://teac.jp/int/product/hr_audio_player/download

Note concernant le réglage de TEAC HR Audio Player

Pour lire des enregistrements DSD à 22,5 MHz avec TEAC HR Audio Player, ouvrez la fenêtre « Configurer » (configurer) et réglez « Decode mode » (mode de décodage) sur « DSD Native ».

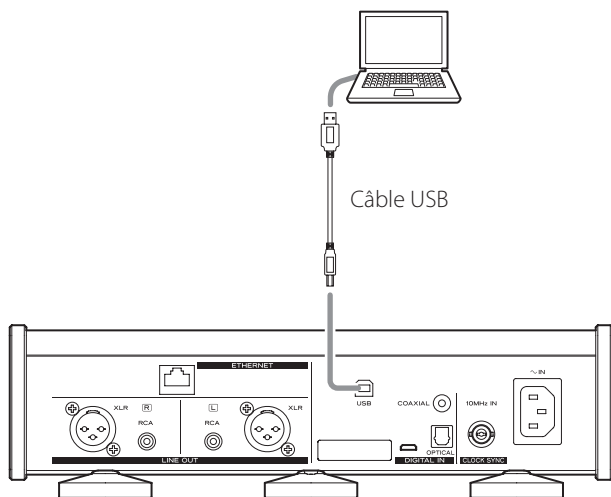
Pour lire des formats autres que le DSD à 22,5 MHz, vous pouvez régler ce paramètre comme vous le souhaitez sur « DSD over PCM » ou « DSD Native ».

Pour plus de détails, reportez-vous à la section « Selecting the DSD decode mode » (sélection du mode de décodage DSD) dans le mode d'emploi de TEAC HR Audio Player.

Lecture de musique sur un ordinateur (suite)

Lecture de fichiers audio depuis un ordinateur

1 Reliez le port USB de la face arrière de cette unité à l'ordinateur au moyen d'un câble USB.

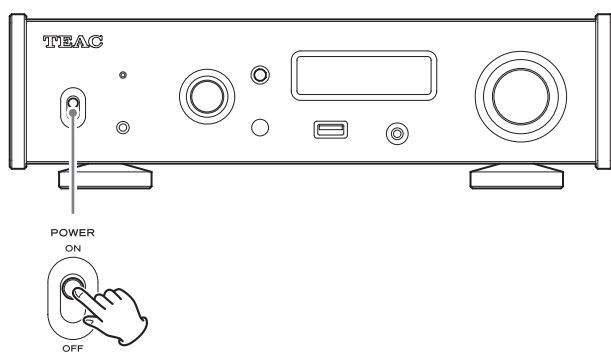


- Utilisez un câble ayant une fiche qui correspond à la prise de cette unité.

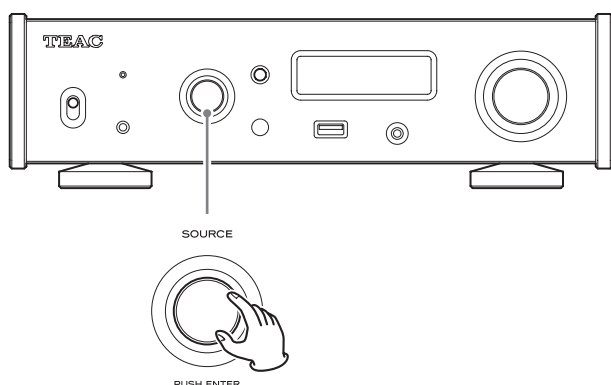
2 Mettez l'ordinateur sous tension.

- Vérifiez que son système d'exploitation a normalement démarré.

3 Basculez l'interrupteur d'alimentation POWER en position ON pour allumer l'unité.



4 Tournez le sélecteur SOURCE afin de sélectionner USB.



5 Lancez la lecture d'un fichier audio sur l'ordinateur.

En réglant au maximum le volume de sortie de l'ordinateur et en ajustant le volume de sortie depuis l'amplificateur stéréo, une meilleure qualité sonore peut être obtenue.

Réduisez au minimum le volume de l'amplificateur stéréo avant de commencer la lecture. Ensuite, montez-le progressivement.

Si vous avez branché un casque à cette unité, tournez le bouton VOLUME dans le sens antihoraire pour réduire le volume au minimum avant de mettre le casque. Ensuite, montez-le progressivement.

- L'ordinateur et cette unité ne peuvent pas se contrôler l'un l'autre.
- N'essayez aucune des opérations suivantes pendant la lecture d'un fichier audio par USB. Cela pourrait entraîner un mauvais fonctionnement de l'ordinateur. Quittez toujours le logiciel de lecture audio avant d'entamer une des actions suivantes.
 - Débrancher le câble USB
 - Éteindre l'unité ou la mettre en veille
 - Changer la sélection d'entrée actuelle
- Lors de la lecture d'un fichier audio par USB, les sons du système de l'ordinateur seront aussi produits. Si vous ne souhaitez pas que ces sons soient produits, faites les réglages appropriés sur l'ordinateur pour les couper.
- Si vous branchez cette unité à l'ordinateur ou si vous réglez son entrée sur USB après avoir lancé le logiciel de lecture audio, les fichiers audio peuvent ne pas être lus correctement. Si cela se produit, faites redémarrer le logiciel de lecture audio ou l'ordinateur.

MQA (Master Quality Authenticated)

Le MQA est une technologie britannique primée qui restitue le son de l'enregistrement d'origine. Le fichier MQA maître est totalement authentifié et est suffisamment petit pour le streaming ou le téléchargement.

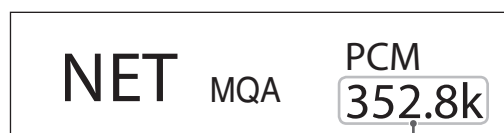
Visitez mqa.co.uk pour plus d'informations.

Le NT-505-X dispose de la technologie MQA, qui vous permet de lire les fichiers audio et flux MQA, qui restituent le son de l'enregistrement d'origine.

« MQA » ou « MQA. » indique que le produit décode et lit un flux ou un fichier MQA, et désigne sa provenance pour s'assurer que le son est identique à celui du matériel source. « MQA. » indique la lecture d'un fichier MQA Studio, qui a été approuvé en studio par l'artiste/producteur ou vérifié par le titulaire des droits d'auteur.

- Cette unité ne peut décoder les flux et fichiers MQA que si la source de lecture est réglée sur NET.

Exemple d'affichage en lecture de fichier MQA



Fréquence d'échantillonnage d'origine

Guide de dépannage

Si vous rencontrez un problème avec l'unité, veuillez prendre un moment pour lire les informations suivantes avant de solliciter une réparation. Si cette unité ne fonctionne toujours pas correctement, contactez le revendeur chez qui vous l'avez achetée.

Générales

L'unité ne s'allume pas.

- ➔ Vérifiez que le cordon d'alimentation est enfoncé à fond dans la prise secteur. Si la prise a un commutateur, vérifiez que celui-ci est en position ON.
- ➔ Branchez un autre appareil électrique à la prise pour vérifier qu'elle fournit bien du courant.
- ➔ Si la fonction d'économie automatique d'énergie a fait passer l'unité en veille, appuyez sur la touche STANDBY/ON de la télécommande pour rallumer l'unité.

Aucun son n'est produit.

- ➔ Si un amplificateur stéréo est branché à cette unité, réglez son volume.
- ➔ Si vous utilisez un casque branché à cette unité, employez le bouton VOLUME pour régler le volume.
- ➔ Avec le sélecteur SOURCE, sélectionnez l'entrée à laquelle est branchée la source que vous désirez entendre.
- ➔ Re-vérifiez les branchements aux autres équipements.

Il y a un bruit de ronflement.

- ➔ Si un câble de liaison est proche d'un cordon d'alimentation, d'un éclairage fluorescent ou d'une cause de parasites similaire, écartez-les autant que possible l'un de l'autre.

Il n'y a pas de son d'un côté du casque.

- ➔ Vérifiez que la fiche du casque est enfoncée à fond.

Synchronisation d'horloge

Le voyant CLOCK ne cesse pas de clignoter.

- ➔ Réglez l'horloge de synchronisation sur OFF lorsque vous ne l'utilisez pas.
- ➔ La synchronisation avec le signal d'horloge entrant peut ne pas être possible. Vérifiez les connexions des prises de synchro d'horloge et les réglages de l'appareil connecté.

FR

Guide de dépannage (suite)

Branchements à un ordinateur

L'ordinateur ne reconnaît pas cette unité.

- ➔ Voir page 53 pour plus d'informations sur les systèmes d'exploitation pris en charge. Le fonctionnement avec des systèmes d'exploitation non pris en charge n'est pas garanti.

Du bruit se produit.

- ➔ Lancer d'autres applications durant la lecture d'un fichier audio peut interrompre la lecture ou causer du bruit. Ne lancez pas d'autres applications durant la lecture.
- ➔ Quand l'unité est branchée à un ordinateur via un concentrateur (hub) USB, par exemple, du bruit peut être entendu. Si cela se produit, branchez l'unité directement à l'ordinateur.

Les fichiers audio ne peuvent pas être lus.

- ➔ Branchez cette unité à l'ordinateur et réglez son entrée sur USB avant de lancer le logiciel de lecture audio. Si vous branchez cette unité à l'ordinateur ou si vous réglez son entrée sur USB après avoir lancé le logiciel de lecture audio, les fichiers musicaux peuvent ne pas être lus correctement.

Fonction Bluetooth

Impossible d'afficher le nom de l'appareil.

- ➔ Cette unité ne prend pas en charge l'affichage des symboles ou caractères à double octet, comme les caractères japonais ou chinois. N'utilisez que des chiffres et des lettres anglaises pour les noms des appareils Bluetooth connectés à cette unité.

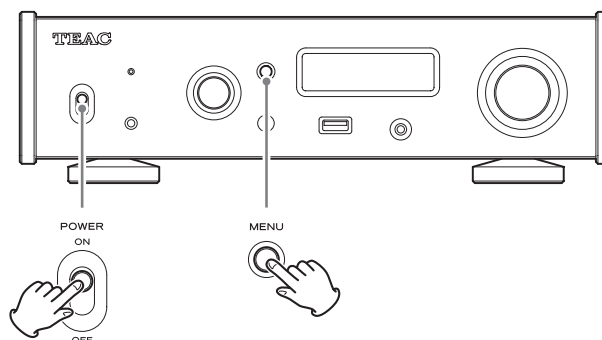
Impossible de changer d'appareil Bluetooth connecté.

- ➔ Cette unité ne peut pas avoir plusieurs appareils Bluetooth connectés en même temps. Pour changer l'appareil connecté à cette unité par Bluetooth, mettez fin à la connexion actuelle avant de connecter un autre appareil Bluetooth.

Comme cette unité utilise un microcontrôleur, du bruit ou d'autres interférences externes peuvent entraîner son mauvais fonctionnement. Si cela se produit, débranchez le cordon d'alimentation, attendez un instant puis rallumez l'unité et relancez les opérations.

Restauration des réglages par défaut

- 1** En maintenant pressée la touche **MENU**, basculez l'interrupteur d'alimentation **POWER** sur **ON**.

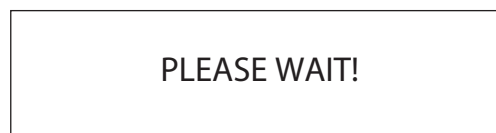


- 2** Relâchez la touche **MENU** lorsque **FACTORY RESET (réinitialisation d'usine)** apparaît.



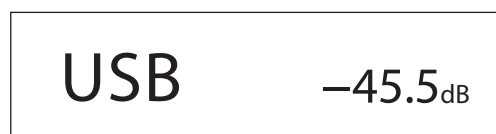
- 3** Appuyez sur le sélecteur **SOURCE**.

La réinitialisation commence quand « PLEASE WAIT! » (veuillez patienter) apparaît.



L'écran d'affichage de source de lecture apparaît une fois la réinitialisation terminée.

Exemple d'affichage



ATTENTION

- Ne faites pas passer l'unité en veille tant que l'écran d'affichage de source de lecture n'est pas revenu.
 - Cette opération restaurera tous les réglages par défaut, y compris ceux des paramètres de réseau.
-
- Les réglages d'usine par défaut sont les valeurs de réglage qui apparaissent dans les images d'écran employées par ce mode d'emploi.

Sorties audio analogiques

Prises	
Prises XLR	1 paire (L/R)
Prises RCA	1 paire (L/R)
Impédance de sortie	XLR: 188 Ω
	RCA: 150 Ω
Niveau maximal de sortie (1 kHz/pleine échelle, sous 10 kΩ)	
FIXED 0dB	XLR/RCA: 2,0 Vrms
FIXED +6dB	XLR/RCA: 4,0 Vrms
VARIABLE	XLR: 12 Vrms
	RCA: 6 Vrms
Réponse en fréquence*	5 Hz – 80 kHz (+1 dB/–5 dB)
Rapport signal/bruit*	110 dB (pondération A, 1 kHz)
Distorsion*	0,0015 % (1 kHz, filtre passe-bas: 20 Hz – 20 kHz)

*Conditions de mesure

Signal entrant: PCM 192 kHz 24 bits

Sortie mesurée: RCA

Filtre numérique PCM: ON (activé)

Sortie casque

Prise	Mini-jack 3,5 mm stéréo 4 points × 1
Sortie efficace maximale	500 mW + 500 mW (sous 32 Ω)
Plage d'impédance compatible	16 – 600 Ω

Entrées audio numériques**

Numérique COAXIAL	Prise RCA × 1
	Mini-jack*** 3,5 mm stéréo × 1
	(Connexion par fiche mini-jack 3,5 mm possible avec câble adaptateur RCA/mini-jack 3,5 mm) (0,5 Vc-c, 75 Ω)
Numérique OPTICAL	Prise carrée × 1
	Connecteur rond*** × 1
	(–24,0 à –14,5 dBm en crête)
Clé USB	Port USB (avant) de type A × 1
	(conforme USB 2.0)
USB	Port USB (arrière) de type B × 1
	(conforme USB 2.0)
LAN (réseau local)	1000BASE-T
Fréquence d'échantillonnage des données PCM	
Numérique COAXIAL	32 kHz, 44,1 kHz, 48 kHz, 88,2 kHz, 96 kHz, 176,4 kHz, 192 kHz
Numérique OPTICAL	32 kHz, 44,1 kHz, 48 kHz, 88,2 kHz, 96 kHz, 176,4 kHz, 192 kHz
USB	44,1 kHz, 48 kHz, 88,2 kHz, 96 kHz, 176,4 kHz, 192 kHz
	352,8 kHz, 384 kHz, 705,6 kHz, 768 kHz
Clé USB/réseau	32 kHz, 44,1 kHz, 48 kHz, 88,2 kHz, 96 kHz, 176,4 kHz, 192 kHz, 352,8 kHz, 384 kHz
Résolution de quantification en bits	
Numérique COAXIAL/numérique OPTICAL	16/24 bits
USB/clé USB/réseau	16/24/32 bits
Fréquence d'échantillonnage des données DSD	
Numérique COAXIAL/numérique OPTICAL	2,8 MHz
	(pris en charge par transmission DoP 176,4 kHz/24 bits)
USB	2,8 MHz, 5,6 MHz, 11,2 MHz, 22,5 MHz
Clé USB/réseau	2,8/5,6 MHz

**Voir le mode d'emploi de TEAC HR Streamer pour des détails sur les clés USB et les réseaux.

***Cette prise d'entrée peut servir à la fois aux connexions optiques et coaxiales.

Fonction Bluetooth

Version de Bluetooth	4.2
Classe de sortie	Classe 2
(distance de transmission sans obstacles****)	10 m)
Profils pris en charge	A2DP, AVRCP
Codecs A2DP pris en charge	SBC, AAC, Qualcomm® aptX™ audio, Qualcomm® aptX™ HD audio, LDAC
Protection de contenu A2DP prise en charge	SCMS-T
Nombre maximal d'appariages mémorisés	8

****La distance de transmission est une approximation. Elle peut varier en fonction de l'environnement et des ondes électromagnétiques.

Entrée d'horloge de synchronisation

Connecteur	BNC
Fréquence d'échantillonnage d'entrée	10 MHz
Impédance d'entrée	50 Ω
Niveau d'entrée	Onde rectangulaire: équivalent aux niveaux TTL
	Onde sinusoïdale: 0,5 à 1,0 Vrms

Générales

Alimentation électrique

Modèle Europe: CA 220 – 240 V, 50/60 Hz

Modèle USA/Canada: CA 120 V, 60 Hz

Consommation électrique: 20 W

Consommation en veille: 0,4 W (en mode de veille)

Dimensions externes (L × H × P) (saillies incluses)

290 mm × 84,5 mm × 248,7 mm

Poids: 4,1 kg

Température de fonctionnement: +5 °C à +35 °C

Hygrométrie de fonctionnement: 5 % à 85 % (sans condensation)

Température de stockage: –20 °C à +55 °C

Accessoires fournis

Cordon d'alimentation × 1

Câble de conversion (RCA vers mini-jack) × 1

Télécommande (RC-1330) × 1

Piles pour télécommande (AAA) × 2

Patins × 3

Mode d'emploi (ce document, y compris la garantie) × 1

- Pour plus d'informations sur la garantie, les utilisateurs vivant aux États Unis et au Canada doivent consulter les pages 86–87 et le dos de la couverture (document de garantie). Les utilisateurs vivant en Europe et dans d'autres régions doivent consulter la page 87.

- Le mode d'emploi de TEAC HR Streamer peut être téléchargé depuis le site international TEAC (<https://teac.jp/int/>).

- Conception et caractéristiques techniques sont sujettes à modifications sans préavis.

- Le poids et les dimensions sont des valeurs approchées.

- Les illustrations de ce mode d'emploi peuvent légèrement différer des modèles de production.

INSTRUCCIONES IMPORTANTES DE SEGURIDAD



El símbolo del rayo acabado en flecha dentro de un triángulo equilátero alerta al usuario de la presencia de un "voltaje peligroso" sin aislar dentro de la carcasa del producto que puede ser de magnitud suficiente como para constituir riesgo de descarga eléctrica para las personas.



El signo de exclamación dentro de un triángulo equilátero alerta al usuario de la presencia de importantes instrucciones de funcionamiento y mantenimiento en la literatura que acompaña al aparato.

AVISO: PARA EVITAR RIESGO DE INCENDIO O DESCARGAS ELÉCTRICAS, NO EXPONGA ESTE APARATO A LA LLUVIA NI A LA HUMEDAD.

PRECAUCIÓN

- NO quite las carcasas externas ni deje al aire la electrónica. ¡EN EL INTERIOR NO HAY PIEZAS QUE EL USUARIO PUEDA MANIPULAR!
 - SI EXPERIMENTA PROBLEMAS CON ESTE PRODUCTO, PÓNGASE EN CONTACTO CON EL ESTABLECIMIENTO DONDE ADQUIRIÓ LA UNIDAD PARA SOLICITAR SERVICIO TÉCNICO. NO UTILICE EL APARATO HASTA QUE HAYA SIDO REPARADO.
 - EL USO DE CONTROLES, AJUSTES O PROCEDIMIENTOS QUE NO SEAN LOS ESPECIFICADOS EN ESTE MANUAL PUEDE CAUSAR EXPOSICIÓN A RADIACIONES PELIGROSAS.
- 1) Lea estas instrucciones.
 - 2) Conserve estas instrucciones.
 - 3) Cumpla con lo indicado en los avisos.
 - 4) Siga todas las instrucciones.
 - 5) No utilice este aparato cerca del agua.
 - 6) Límpielo solo con un trapo seco.
 - 7) No bloquee ninguna de las ranuras de ventilación. Instale este aparato de acuerdo con las instrucciones del fabricante.
 - 8) No instale este aparato cerca de fuentes de calor como radiadores, calentadores, hornos u otros aparatos (incluyendo amplificadores) que produzcan calor.
 - 9) No elimine el sistema de seguridad que supone el enchufe polarizado o con toma de tierra. Un enchufe polarizado tiene dos bornes, uno más ancho que el otro. Uno con toma de tierra tiene dos bornes iguales y una tercera lámina para la conexión a tierra. El borne ancho o la lámina se incluyen para su seguridad. Si el enchufe que venga con la unidad no encaja en su salida de corriente, haga que un electricista cambie su salida anticuada.
 - 10) Evite que el cable de corriente quede de forma que pueda ser pisado o quedar retorcido o aplastado, especialmente en los enchufes, receptáculos o en el punto en el que salen del aparato.
 - 11) Use solo accesorios / complementos especificados por el fabricante.

- 12) Utilice este aparato solo con un soporte, trípode o bastidor especificado por el fabricante o que se venda con el propio aparato. Cuando utilice un bastidor con ruedas, tenga cuidado al mover la combinación de aparato/bastidor para evitar que vuelque y puedan producirse daños.



- 13) Desconecte este aparato de la corriente durante las tormentas eléctricas o cuando no lo vaya a usar durante un periodo de tiempo largo.
 - 14) Dirija cualquier posible reparación solo al servicio técnico oficial. Este aparato deberá ser reparado si se ha dañado de alguna forma, como por ejemplo si el cable de corriente o el enchufe están rotos, si ha sido derramado algún líquido sobre la unidad o algún objeto ha sido introducido en ella, si ha quedado expuesto a la lluvia o la humedad, si no funciona normalmente o si ha caído al suelo en algún momento.
- Este aparato libera corriente nominal no válida para el funcionamiento a través de la toma de corriente, aún cuando el interruptor de encendido y activación (POWER o STANDBY/ON) no esté en la posición de encendido (ON).
 - El enchufe que se conecta a la red es el dispositivo de desconexión, por lo que deberá permanecer siempre en perfecto estado de uso.
 - Deberá llevar cuidado si utiliza auriculares con este producto, ya que una excesiva presión sonora (volumen) procedente de los mismos puede causar pérdidas de audición.

PRECAUCIÓN

- No exponga este aparato a salpicaduras ni goteras.
- No coloque objetos que contengan líquidos, como por ejemplo jarrones, sobre el aparato.
- Las piezas con forma de asa de los lados izquierdo y derecho del panel frontal son decorativas. No meta los dedos por ellas ni las utilice para transportar la unidad.
- No instale este aparato en lugares cerrados tales como estanterías o similares.
- Este aparato debe situarse lo suficientemente cerca de una toma de electricidad como para poder alcanzar fácilmente el cable de corriente en cualquier momento.
- Si el producto utiliza pilas (esto incluye las pilas instaladas y los "packs" de pilas), se evitará su exposición directa al sol, al fuego o a cualquier otra fuente de calor excesivo.
- **PRECAUCIÓN** con los productos que emplean baterías de litio reemplazables: existe peligro de explosión si la batería se reemplaza por otra de tipo incorrecto. Reemplácela sólo por otra igual o de tipo equivalente.

AVISO

Los productos con construcción de Clase **I** están equipados con un cable de alimentación que tiene conexión de tierra. El cable de estos productos deberá conectarse a una toma de corriente que tenga conexión de protección de tierra.

EN EE. UU./CANADÁ, UTILICE SOLO ALIMENTACIÓN CON CORRIENTE DE 120 V.

⚠ Precauciones con respecto a las pilas

Un mal uso de las pilas puede hacer que se rompan o que tengan fugas y ello causar fuego, lesiones u oxidación en los objetos cercanos. Por favor, lea y observe las siguientes precauciones cuidadosamente.

- Asegúrese de introducir las pilas siempre con la correcta orientación de los polos positivo (⊕) y negativo (⊖).
- Use pilas del mismo tipo. Nunca utilice juntas pilas de tipos diferentes.
- Si no va a utilizar el mando a distancia durante mucho tiempo (más de un mes), quite las pilas para evitar que se sulfaten y tengan fugas.
- Si las pilas presentan fugas, limpie el líquido que haya caído en el compartimento y sustituya las pilas por otras nuevas.
- No utilice pilas que no sean del tipo especificado. No mezcle pilas nuevas con viejas ni utilice juntas pilas de tipos distintos.
- No caliente ni desarme las pilas. Nunca tire pilas al fuego ni al agua.
- No transporte ni almacene pilas con otros objetos metálicos. Las pilas podrían producir cortocircuitos, perder líquido o explotar.
- Nunca recargue una pila si no está completamente seguro de que es una pila recargable.
- No exponga las pilas a una presión atmosférica extremadamente baja, ya que esto podría causar una explosión o fuga de líquidos o gases inflamables.

Para consumidores europeos

Deshacerse de aparatos eléctricos, electrónicos, pilas/baterías y acumuladores

- a) Todos los aparatos eléctricos y electrónicos, y pilas/baterías y acumuladores gastados, deben ser eliminados separados del resto de basura común y únicamente en los "puntos limpios" o bajo los procedimientos especificados por el gobierno o autoridades municipales locales.
- b) Con la eliminación correcta de los equipos eléctricos y electrónicos, y de pilas/baterías y acumuladores gastados, estará ayudando a conservar recursos muy valiosos y a evitar los posibles efectos negativos en la salud humana y en el medio ambiente.
- c) La eliminación incorrecta de los equipos eléctricos y electrónicos, y pilas/baterías y acumuladores, puede producir efectos muy dañinos en el medio ambiente y en la salud humana a causa de las sustancias peligrosas que pueden encontrarse en estos equipos.

- d) El símbolo de Eliminación de Aparatos Eléctricos y Electrónicos (WEEE en inglés), identificado por cubos de basura con ruedas tachados, indican que los equipos eléctricos y electrónicos, y las pilas/baterías y acumuladores, deben ser eliminados de forma totalmente independiente con respecto a la basura doméstica.



Si una pila/batería o un acumulador contienen más cantidad de los valores especificados de plomo (Pb), mercurio (Hg), y/o cadmio (Cd) según está definido en la Directiva relativa a las pilas (2006/66/CE, 2013/56/UE), entonces los símbolos químicos correspondientes a estos elementos estarán indicados debajo del símbolo WEEE.



- e) Existen sistemas para la eliminación y recogida a disposición del usuario final. Si necesita más información sobre cómo deshacerse de aparatos eléctricos y electrónicos antiguos, así como de pilas/baterías y acumuladores, póngase en contacto con su ayuntamiento, con la correspondiente empresa del servicio de recogida de residuos o con el establecimiento donde adquirió ese aparato.

Modelo para EE.UU.

Declaración de conformidad del suministrador

Número de modelo: NT-505

Marca comercial: TEAC

Parte responsable: 11 Trading Company, LLC

Dirección: 3502 Woodview Trace #200 Indianapolis, IN 46268 U.S.A.

URL: <https://11tradingcompany.com/contact-us/>



Este dispositivo cumple con el apartado 15 de las Normas de la FCC. Su funcionamiento está sujeto a las dos siguientes condiciones: (1) este dispositivo no puede causar interferencias perjudiciales y (2) este dispositivo debe aceptar cualquier interferencia recibida, incluidas interferencias que puedan causar anomalías de funcionamiento.

Información

Se ha comprobado que este equipo cumple con los límites establecidos para los dispositivos digitales de Clase B, de acuerdo con el apartado 15 de las Normas de la FCC. Estos límites están diseñados para proporcionar una protección razonable contra interferencias perjudiciales en instalaciones residenciales. Este equipo genera, utiliza y puede irradiar energía de radiofrecuencia y, si no se instala y se utiliza de acuerdo con las instrucciones, puede causar interferencias perjudiciales en las comunicaciones por radio. Sin embargo, no se puede garantizar que dichas interferencias no se produzcan en instalaciones particulares. Si este equipo causa interferencias perjudiciales en la recepción de radio o televisión, que se comprueban apagando y encendiendo el equipo, se recomienda al usuario que intente corregirla mediante una o varias de las siguientes medidas:

- Reoriente o recolocque el equipo y/o la antena receptora.
- Aumente la separación entre el equipo y el receptor.
- Conecte el equipo a una toma de electricidad situada en un circuito eléctrico diferente al del receptor.
- Consulte al distribuidor o solicite ayuda a un técnico de radio/TV con experiencia.

PRECAUCIÓN

Cualquier cambio o modificación efectuada en este equipo que no haya sido expresamente aprobada por la parte responsable del cumplimiento de los requisitos exigidos podría invalidar el derecho del usuario a utilizar el equipo.

INSTRUCCIONES IMPORTANTES DE SEGURIDAD (continuación)

Cumplimiento de las normas de interferencias y transmisión de radio

La función de transmisor de banda ancha de este producto opera en la banda de los 2,4 GHz.

Rango de frecuencia de uso: 2402 MHz – 2480 MHz

Potencia de salida máxima: Bluetooth® clase 2 (inferior a 2,5 mW).

Por favor, utilice el producto solamente en el país donde lo adquirió.

Dependiendo del país, podrían existir restricciones para el uso de la tecnología inalámbrica Bluetooth.

Modelo para EE. UU.

Etiquetado de autorización

ID de la FCC: XEG-NT505

Modelo para el Espacio Económico Europeo (EEE)



Por la presente comunicación, TEAC Corporation declara que este tipo de equipo de radio cumple con los requisitos de la Directiva 2014/53/UE. y de las restantes directivas de la Unión Europea y reglamentos de la Comisión.

El texto completo de la declaración de conformidad con la normativa de la UE está disponible en la siguiente dirección de Internet (por favor, utilice el correo electrónico para ponerse en contacto con nosotros):

<https://teacsupport.aqipa.com/>

Requerimientos acerca de la exposición a radiaciones

Este equipo cumple con la regulación internacionalmente reconocida para los casos de exposición humana a ondas de radio generadas por un transmisor.

Declaración de cumplimiento

Modelo para EE. UU.

Este equipo cumple con los límites de exposición a radiación establecidos por la FCC para entornos no controlados y cumple las directrices de la FCC en materia de exposición a radiofrecuencia.

Modelo para el Espacio Económico Europeo (EEE)

Este equipo cumple con la valoración EN.62479 de equipos electrónicos y eléctricos relativa a las restricciones de exposición humana a campos electromagnéticos, el estándar armonizado de la DIRECTIVA 2014/53/UE.

MQA and the Sound Wave Device are registered trademarks of MQA Limited © 2016

“DSD” is a registered trademark.

The Bluetooth® word mark and logos are registered trademarks owned by Bluetooth SIG, Inc. and any use of such marks by TEAC CORPORATION is under license.

Qualcomm aptX is a product of Qualcomm Technologies, Inc. and/or its subsidiaries.

Qualcomm is a trademark of Qualcomm Incorporated, registered in the United States and other countries. aptX is a trademark of Qualcomm Technologies International, Ltd., registered in the United States and other countries.

Microsoft and Windows are either registered trademarks or trademarks of Microsoft Corporation in the United States and/or other countries.

Apple, Mac, OS X and macOS are trademarks of Apple Inc., registered in the U.S. and other countries.

App Store is a service mark of Apple Inc.

Android is a trademark of Google Inc.

Google Play is a trademark of Google Inc.

LDAC™ and LDAC logo are trademarks of Sony Corporation.

Bulk Pet is a registered trademark of INTERFACE CO., LTD.

Los nombres de otras compañías, nombres de productos y logos que aparecen en este documento son marcas comerciales o registradas de sus respectivos propietarios.

La información sobre derechos de autor (copyright) y licencias relacionados con software de código abierto figuran en el documento “Important Notice Regarding Software” (notificación importante acerca del software) que se proporciona por separado (solo en inglés).

Índice

Gracias por elegir TEAC.

Lea este manual atentamente para obtener el mejor rendimiento de esta unidad. Después de leerlo, guárdelo en un lugar seguro para futuras consultas.

ATENCIÓN

- Para más información sobre las funciones de red de esta unidad, consulte el Manual del usuario de TEAC HR Streamer.
- El Manual del usuario de este producto y el Manual del usuario de TEAC HR Streamer se pueden descargar desde el sitio web internacional de TEAC (<https://teac.jp/int/>).
- Para utilizar las funciones de red y reproducir archivos de unidades flash USB, debe utilizar también una tablet o smartphone que tenga instalada la app (gratuita) TEAC HR Streamer y que esté conectada a la misma red que esta unidad.

INSTRUCCIONES IMPORTANTES DE SEGURIDAD	58
Accesorios incluidos	61
Antes de su utilización	62
Mantenimiento	62
Web internacional de TEAC	62
Descarga de la app de control remoto	62
Conexiones de red	63
Conexiones (panel posterior)	64
Conexiones (panel frontal)	66
Conexión de unos auriculares	67
Uso del mando a distancia	67
Nombres y funciones de las partes (unidad principal)	68
Sobreconversión	69
Nombres y funciones de las partes (mando a distancia)	70
Pantalla	71
Funcionamiento básico	73
Tecnología inalámbrica Bluetooth®	74
Ajustes de configuración	77
Reproducción de música en un ordenador	81
MQA (Master Quality Authenticated)	83
Solución de problemas	83
Especificaciones	85

Accesorios incluidos

Compruebe que la caja contiene todos los accesorios incluidos que se indican a continuación.

Por favor, póngase en contacto con el establecimiento donde adquirió esta unidad si falta cualquiera de estos accesorios o si alguno ha sufrido desperfectos durante el transporte.

Cable de corriente × 1

Cable de conversión RCA (de RCA a miniconector) × 1

Mando a distancia (RC-1330) × 1

Pilas para el mando a distancia (AAA) × 2

Almohadillas × 3

Manual del usuario (este documento, incluida la garantía) × 1

- Los usuarios que vivan en EE. UU. y Canadá encontrarán información sobre la garantía en las páginas 86–87 y en la contraportada (documento de garantía). Los usuarios que vivan en Europa y otras áreas deben consultar la página 87.
- El Manual del usuario de TEAC HR Streamer se puede descargar desde el sitio web internacional de TEAC (<https://teac.jp/int/>).

ES

Antes de su utilización

Precauciones de emplazamiento

- No instale esta unidad donde pueda calentarse. Esto incluye lugares que estén expuestos a la luz solar directa o cercanos a un radiador, calefactor, estufa u otro aparato de calefacción. Tampoco coloque esta unidad encima de un amplificador u otro equipo que genere calor. Si lo hace, la unidad podría decolorarse, deformarse o estropearse.
- Evite ubicaciones donde haga mucho frío o expuestas a una humedad o polvo excesivos.
- Para permitir una buena disipación del calor, deje un poco de espacio (al menos 3 cm) entre esta unidad y las paredes u otros dispositivos cuando la instale. Si se coloca en un rack, deje libres al menos 5 cm por encima de la unidad y 10 cm por detrás. Si no deja estos márgenes de seguridad, el calor podría acumularse en el interior y provocar un incendio.
- El voltaje suministrado a la unidad deberá ser el mismo que está impreso en el panel posterior. Si tiene dudas al respecto, consulte a un electricista.
- No mueva la unidad durante su utilización.
- No abra la carcasa de la unidad porque podría causar daños en los circuitos o una descarga eléctrica. En caso de que se introduzca un objeto extraño en la unidad, contacte con su distribuidor.
- Cuando desenchufe el cable de corriente de la toma de electricidad, tire siempre directamente del conector, nunca tire del cable.

Nota sobre la colocación

Las patas de acero están colocadas sin apretar en la parte inferior de la unidad, dejando una ligera holgura. Por esta razón, las patas se desplazarán ligeramente de la parte inferior al levantar la unidad. Esta unidad está diseñada para descansar sobre las patas al colocarse en su sitio, de modo que las patas no ejerzan una tensión innecesaria sobre el cuerpo.

- Las patas se desplazarán ligeramente de la parte inferior de la unidad, pero esto no es un defecto.
- Ponga las almohadillas incluidas en la parte inferior de las patas para evitar que se raye la superficie donde esté colocada la unidad.

El panel superior de esta unidad está instalado con algo de holgura.

- El panel se moverá ligeramente, pero esto no es un defecto.

Mantenimiento

Limpie la cubierta y los demás paneles con un paño suave ligeramente humedecido con un líquido limpiador neutro diluido.

No utilice gamuzas ni paños impregnados con productos químicos, ni disolvente u otras sustancias químicas, ya que pueden dañar la superficie de la unidad.

Por seguridad, desenchufe el cable de corriente de la toma de corriente antes de proceder a la limpieza.

Web internacional de TEAC

Las actualizaciones correspondientes a esta unidad se pueden descargar desde la web internacional de TEAC:

<https://teac.jp/int/>

Haga clic en "Language" (Idioma) en la parte superior derecha de la pantalla y seleccione el país o región que desee para acceder a la página en el idioma correspondiente.

Descarga de la app de control remoto

Para utilizar las funciones de red y las funciones de reproducción de unidades flash USB de esta unidad, también debe usar una tablet o smartphone que tenga instalada la app TEAC HR Streamer (gratuita) y que esté conectado a la misma red que esta unidad.

Instalando la app en una tablet o smartphone, puede utilizarla en una red inalámbrica para manejar la unidad.


- La descarga y el uso de la app son gratuitos.


Cómo encontrar la app para tablet/smartphone

Busque "TEAC HR Streamer" en el App Store o en Google Play Store.



Reproducción de archivos de audio de una unidad flash USB conectada al puerto USB

- 1) Ponga los archivos de audio en la unidad flash USB y conéctela al puerto USB  de la parte frontal de la unidad.
 - 2) Siga los procedimientos de la sección "Getting started" (Primeros pasos) del Manual del usuario de TEAC HR Streamer para abrir el menú "Setup" (Configuración).
 - 3) En la sección "Music Player" (Reproductor de música), seleccione TEAC NT-505-X.
 - 4) Seleccione "Music Library" (Biblioteca de música), y a continuación seleccione "TEAC NT-505-X USB Music Server" (Servidor de música TEAC UD-701N USB).
- La actualización de la biblioteca de música puede llevar varios minutos si tiene muchos archivos de audio.

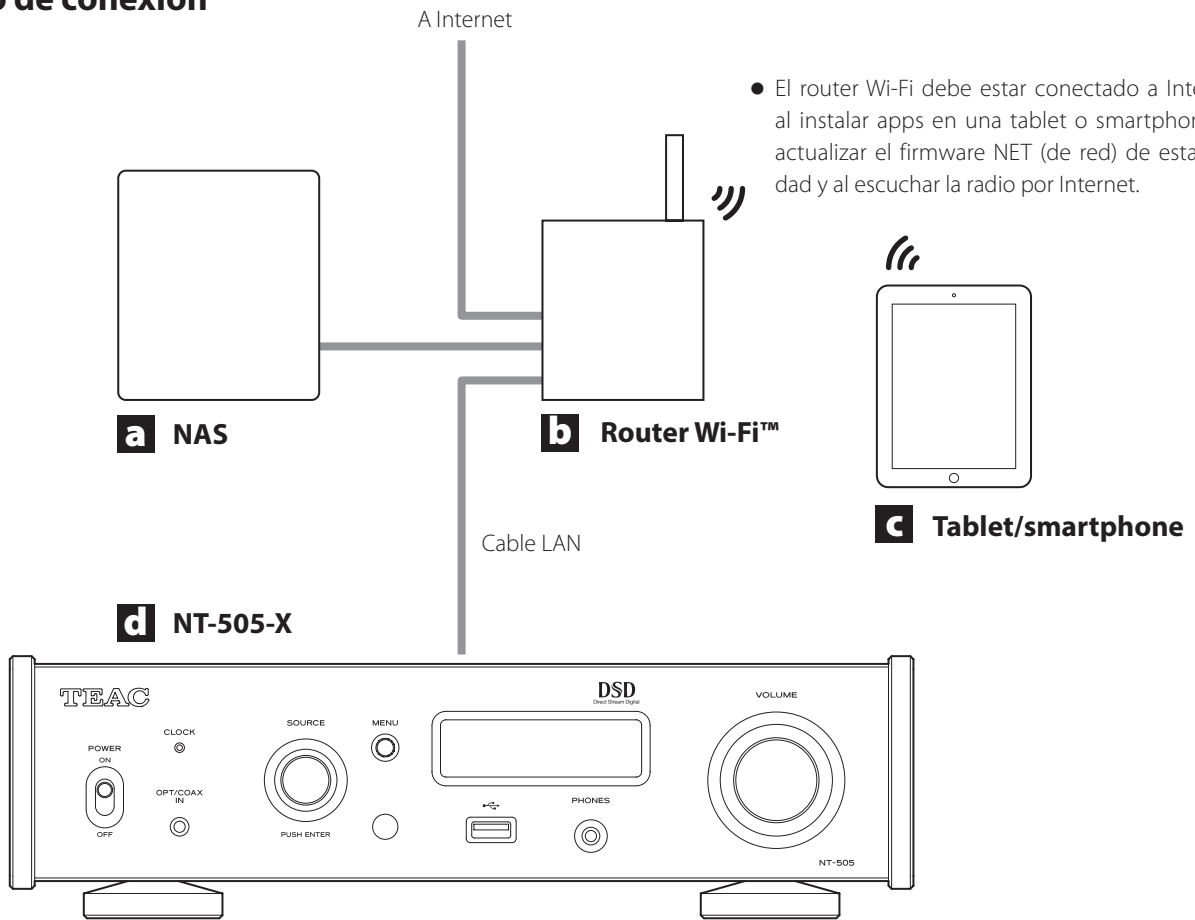
Esto completa la preparación para la reproducción de archivos de audio de una unidad flash USB conectada al puerto USB .

Consulte el Manual del usuario de TEAC HR Streamer para preparar listas de reproducción y reproducir archivos de audio.

NOTA

El firmware del módulo de red se actualiza a través de TEAC HR Streamer. Le recomendamos que periódicamente seleccione esta unidad en TEAC HR Streamer y la actualice con el firmware más reciente. Si hay alguna actualización de firmware disponible, aparecerá una ventana emergente con la recomendación.

Ejemplo de conexión



- El router Wi-Fi debe estar conectado a Internet al instalar apps en una tablet o smartphone, al actualizar el firmware NET (de red) de esta unidad y al escuchar la radio por Internet.

ES

a NAS (dispositivo de almacenamiento conectado en red)

Se utiliza para almacenar los archivos de audio. Es necesario que funcione como servidor UPnP para poder utilizarlo como servidor multimedia. MinimServer es el servidor multimedia recomendado para utilizar con esta unidad.

b Router Wi-Fi™

Use una conexión Wi-Fi para conectar la tablet o el smartphone a esta unidad y al NAS.

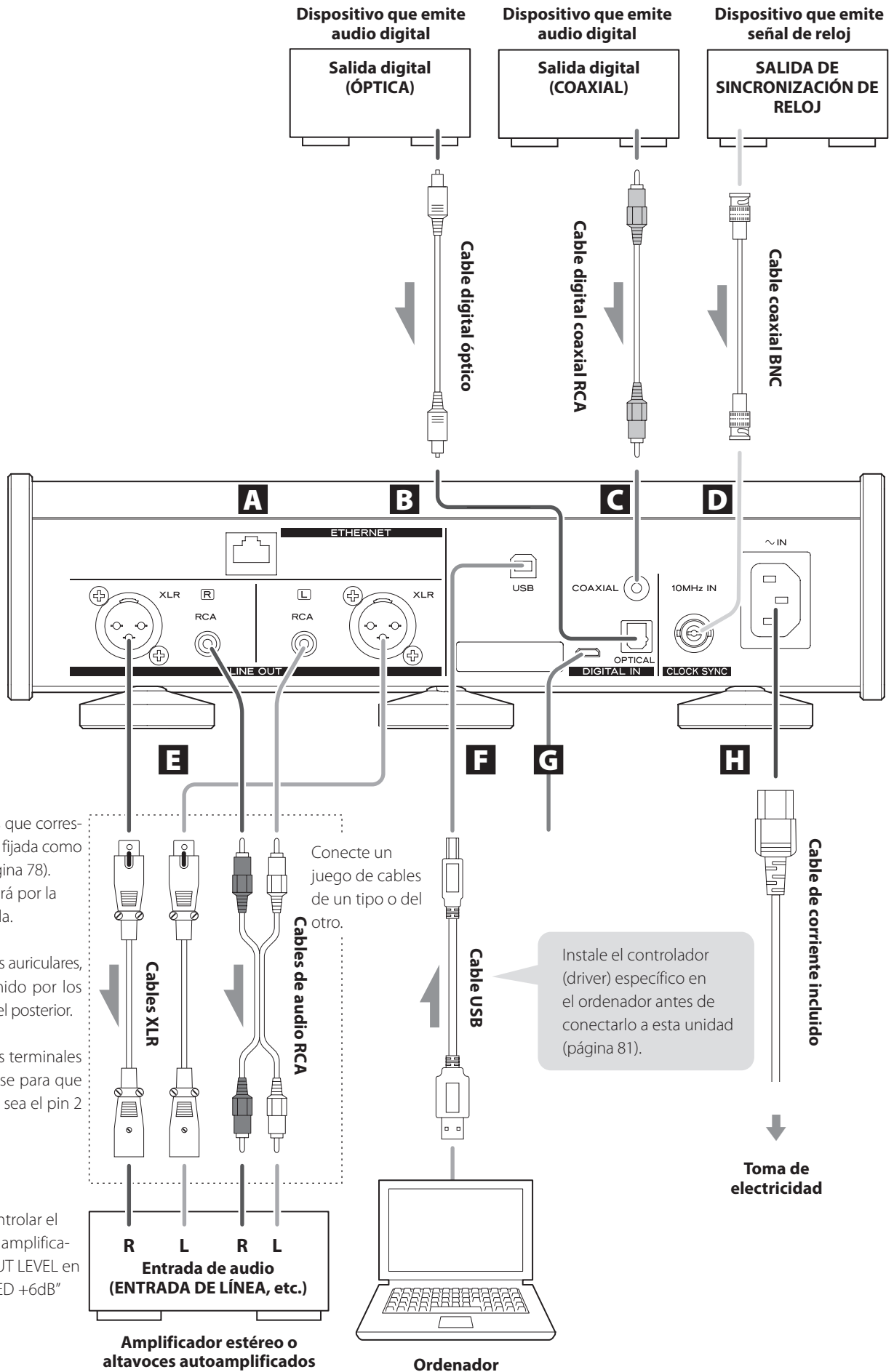
c Tablet/smartphone

Instale la app para controlar esta unidad.

d NT-505-X

La dirección IP de esta unidad se adquiere del servidor DHCP.

Conexiones (panel posterior)



Conecte los cables que correspondan a la pareja fijada como salida de línea (página 78). El sonido solo saldrá por la pareja seleccionada.

Si se conectan unos auriculares, dejará de salir sonido por los terminales del panel posterior.

La polaridad de los terminales XLR puede ajustarse para que el VIVO (POSITIVO) sea el pin 2 o el 3 (página 78).

Si desea poder controlar el volumen desde el amplificador, ajuste LINE OUT LEVEL en "FIXED 0dB" o "FIXED +6dB" (página 79).

A Puerto ETHERNET

Conecte en este puerto a un cable LAN de los que se venden en establecimientos comerciales cuando desee conectar esta unidad a una red cableada o a Internet.

- Al cambiar de fuente de entrada, este puerto se identifica como "NET".

B Terminal de entrada de audio digital óptico (OPTICAL)

Se utiliza para introducir audio digital. Conecte aquí el terminal de salida de audio digital óptico de un dispositivo de audio.

Para la conexión, utilice un cable digital óptico con conector cuadrado (TOSLINK) de los que se pueden adquirir en establecimientos comerciales.

C Terminal de entrada de audio digital coaxial RCA (COAXIAL)

Se utiliza para introducir audio digital. Conecte aquí el terminal de salida de audio digital coaxial de un dispositivo de audio.

Para la conexión, utilice un cable digital coaxial RCA de los que se venden en establecimientos comerciales.

D Terminal de entrada de sincronización de reloj CLOCK SYNC (10MHz IN)

Por este terminal se introduce una señal de sincronización (sincronización de reloj).

Para introducir una señal de oscilador de 10 MHz, conecte aquí la salida del oscilador (página 85).

Utilice un cable coaxial BNC de los disponibles en establecimientos comerciales para la conexión.

- La sincronización de reloj no es posible cuando la fuente de entrada es Bluetooth.

E Terminales de salida de audio analógico (LINE OUT)

Por estos terminales salen 2 canales de audio analógico. Conecte estos terminales XLR o RCA a un amplificador estéreo o a unos altavoces autoamplificados.

Utilice cables de los disponibles en establecimientos comerciales para las conexiones.

XLR: cables XLR balanceados

RCA: cables de audio RCA

Conecte el terminal R (derecha) de esta unidad al terminal R del amplificador y el terminal L (izquierda) al terminal L del amplificador.

- Consulte "Salida de línea (LINE OUT SELECT)" en la página 78 para más información sobre los ajustes de las salidas analógicas.

F Puerto USB

Se utiliza para introducir audio digital procedente de un ordenador. Conéctelo al puerto USB del ordenador.

Para esta conexión, utilice un cable USB 2.0 (tipo A-B) de los que se venden en establecimientos comerciales.

ATENCIÓN

Antes de conectar un ordenador que funcione con un sistema operativo Windows, es necesario instalar el controlador (driver) específico en el ordenador (página 81).

No es posible una conexión correcta con un ordenador si este no tiene dicho controlador instalado.


G Puerto de mantenimiento


Se utiliza para mantenimiento. No conecte nada a este puerto a menos que reciba instrucciones para hacerlo por parte de nuestro servicio técnico.


H Entrada para el cable de corriente (~IN)

Aquí se conecta el cable de corriente suministrado.

No conecte el cable de corriente a una toma de electricidad hasta que haya terminado todas las demás conexiones.

 **No utilice ningún cable de corriente que no sea el incluido con esta unidad. El uso de otros cables de corriente puede ser causa de incendio o descargas eléctricas.**

 **Desenchufe el cable de corriente de la toma de electricidad cuando no utilice la unidad durante un largo periodo de tiempo.**

 **Termine de realizar todas las conexiones antes de encender la unidad.**

- Lea atentamente todos los manuales de los dispositivos que esté conectando y siga sus instrucciones para hacer las conexiones.
- No mezcle ni agrupe los cables de las conexiones con los cables de corriente. Si lo hace, puede originarse ruido.
- Inserte todos los conectores completamente.

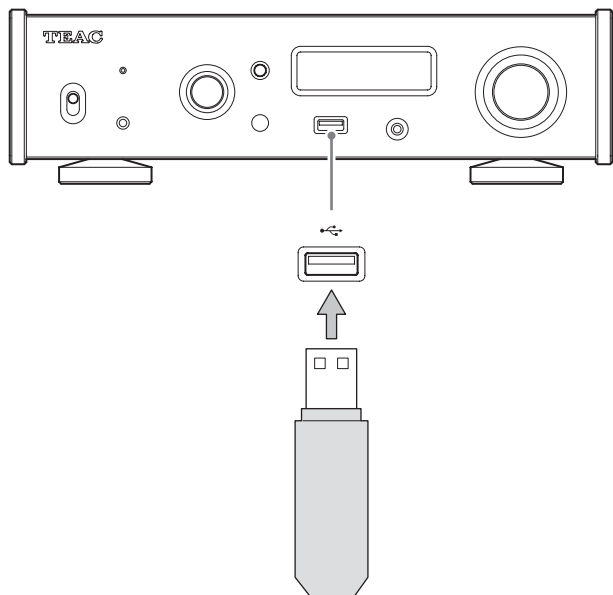
Conexiones (panel frontal)

Unidades flash USB

Puede conectar unidades flash USB al puerto USB del frontal de esta unidad.

Para reproducir archivos de música de una unidad flash USB, ajuste la fuente de entrada en NET y utilice la app para la reproducción.

- Para más información, consulte el Manual del usuario de TEAC HR Streamer.



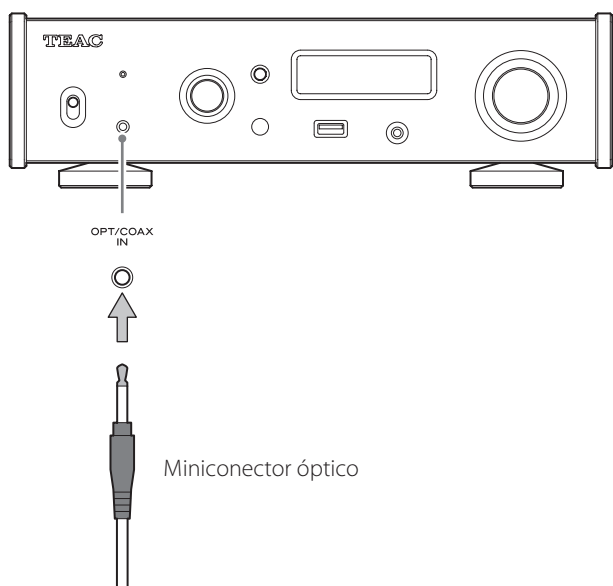
Entrada de audio digital (OPT/COAX IN)

Este terminal de entrada se puede utilizar tanto para conexión óptica (OPT) como coaxial (COAX).

Conexión óptica (OPT)

Utilice un cable óptico con miniconector de los que se pueden adquirir en establecimientos comerciales.

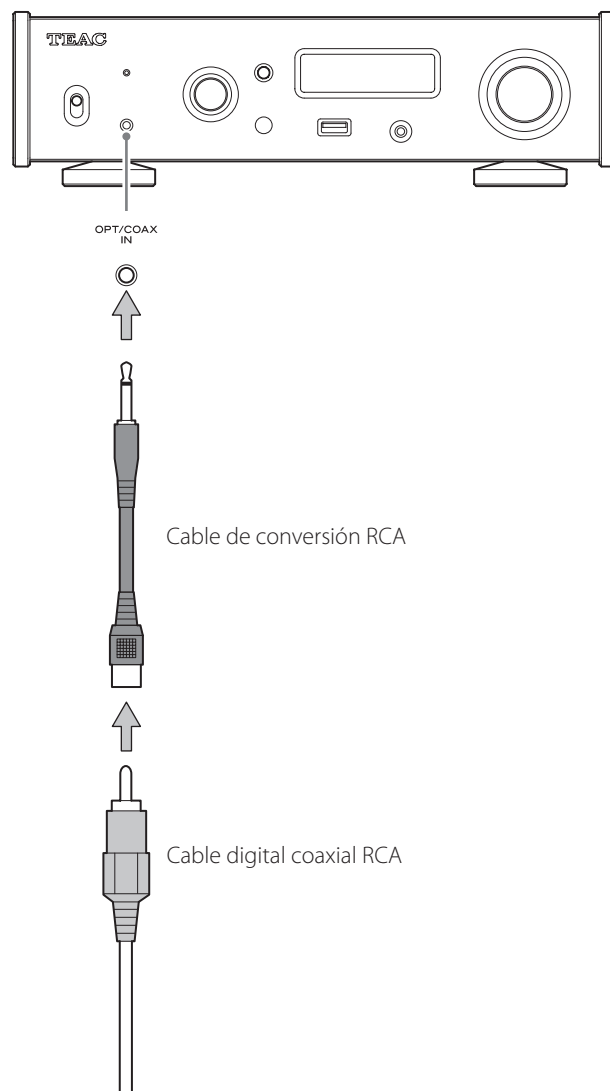
Para activar esta entrada, gire el mando SOURCE para seleccionar OPTICAL2.



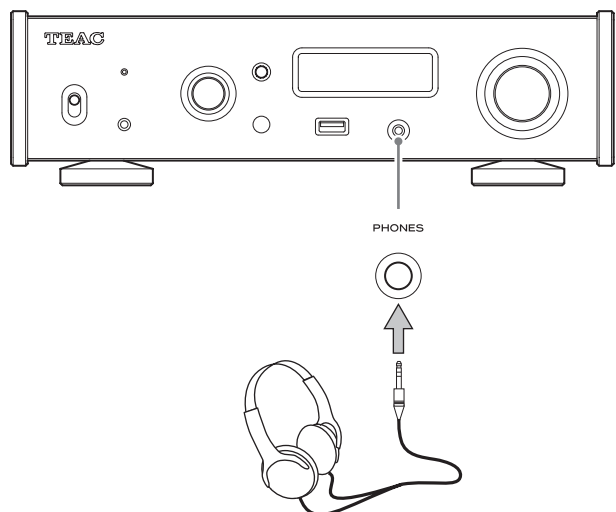
Conexión coaxial (COAX)

Utilice el cable de conversión RCA incluido y un cable digital coaxial RCA de los que se pueden adquirir en establecimientos comerciales.

Para activar esta entrada, gire el mando SOURCE para seleccionar COAXIAL2.



Conexión de unos auriculares



PRECAUCIÓN


Nunca conecte o desconecte los auriculares ni encienda o apague la unidad con los auriculares puestos.

Si lo hace, puede causar ruido repentino a alto volumen capaz de lesionar sus oídos.

Antes de ponerse los auriculares, ponga siempre el volumen al mínimo (la pantalla debe mostrar "0" cuando la unidad esté configurada en "STEP (0-100)" o "-∞ dB" cuando esté configurada en "dB") (página 73).

Uso del mando a distancia

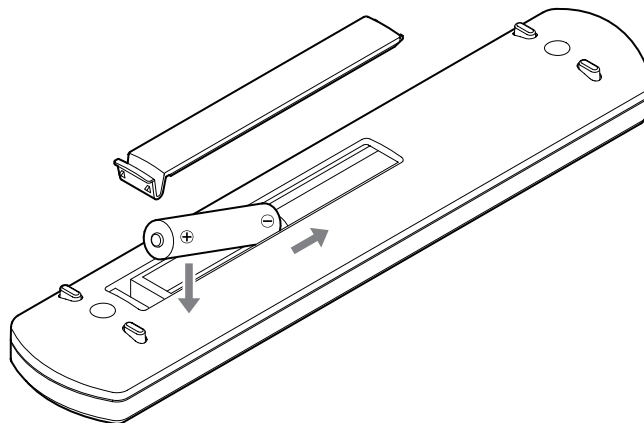
Precauciones de uso

 **Un mal uso de la pila podría hacer que se rompan o se sulfaten (pierdan líquido), lo que podría originar fuego, lesiones o la oxidación de materiales cercanos. Por favor, lea atentamente y observe las instrucciones de las precauciones de la página 59.**

- Cuando utilice el mando a distancia, apunte con él hacia el receptor de la señal del mando a distancia que hay en la unidad principal, a una distancia de 5 m o menos. No coloque obstáculos entre la unidad principal y el mando a distancia.
- El mando a distancia podría no funcionar si el receptor de la señal del mando a distancia que hay en la unidad principal está expuesto a la luz solar directamente o a una luz intensa. Si esto ocurre, intente mover de sitio la unidad.
- Lleve cuidado, ya que el uso de este mando a distancia podría causar el funcionamiento involuntario de otros dispositivos que pueden ser controlados por rayos infrarrojos.

Instalación de las pilas

Quite la tapa de la parte posterior del mando a distancia e introduzca en el compartimento dos pilas AAA con su polos \oplus / \ominus orientados como se muestra. Vuelva a colocar la tapa.

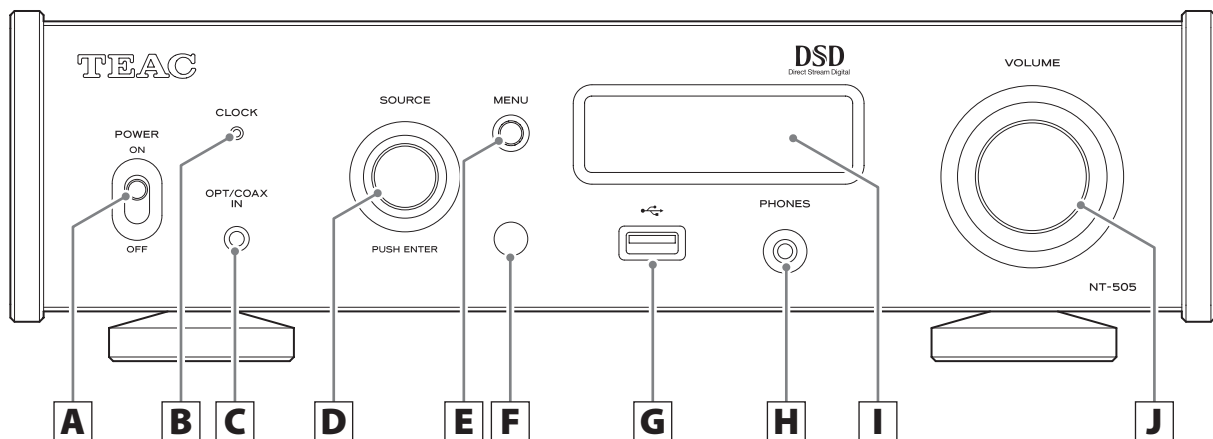


Cuándo sustituir las pilas

Si la distancia requerida entre el mando a distancia y la unidad principal disminuye o si la unidad deja de responder a los botones del mando a distancia, cambie ambas pilas por otras nuevas.

Deshágase de las pilas usadas según las instrucciones que figuren en las mismas o los requisitos establecidos por las autoridades locales.

Nombres y funciones de las partes (unidad principal)



A Interruptor POWER

Se utiliza para encender y apagar la unidad.

- Si la pantalla permanece oscura aunque el interruptor POWER esté en ON (activado), normalmente la causa es una de las siguientes:
 - La unidad está encendida, pero DIMMER (brillo de la pantalla) está ajustado en OFF (página 79).
 - La función de ahorro de energía automático ha puesto la unidad en reposo (standby).
 - El cable de corriente está desconectado.

Para encender la unidad, pulse el botón STANDBY/ON del mando a distancia o ponga el interruptor POWER en OFF (desactivado) y vuelva a ponerlo en ON (activado).

B Indicador CLOCK

Muestra el estado de la sincronización de reloj.

Iluminado: La unidad está sincronizada con el reloj del terminal de entrada CLOCK SYNC (10MHz IN).

Parpadeando: No está entrando ningún reloj o la unidad no se está sincronizando.

Apagado: No hay sincronización de reloj.

- La sincronización de reloj no es posible cuando la fuente de entrada es Bluetooth.
- Consulte la página 78 para más información sobre los ajustes de sincronización de reloj.

C Terminal de entrada de audio digital (OPT/COAX IN)

Se utiliza para introducir audio digital (página 66).

Conexión óptica: Use un cable óptico con miniconector.

Conexión coaxial: Use el cable de conversión RCA incluido.

D Mando SOURCE

Se utiliza para seleccionar la fuente de entrada.

Se utiliza para cambiar los valores de los ajustes cuando se muestra un apartado de un menú.

Púselo para utilizarlo a modo de botón "Intro" (ENTER).

Gírelo cuando el menú esté abierto para cambiar el apartado en pantalla o el valor de ajuste.

E Botón MENU

Púselo para acceder al modo de ajustes de configuración (página 77).

Dentro del modo de ajustes de configuración, púselo para volver a la pantalla anterior.

F Receptor de señales del mando a distancia

Recibe las señales del mando a distancia. Cuando utilice el mando a distancia, apunte con él hacia este receptor de señal.

G Puerto USB ()

Aquí se conectan las unidades flash USB.

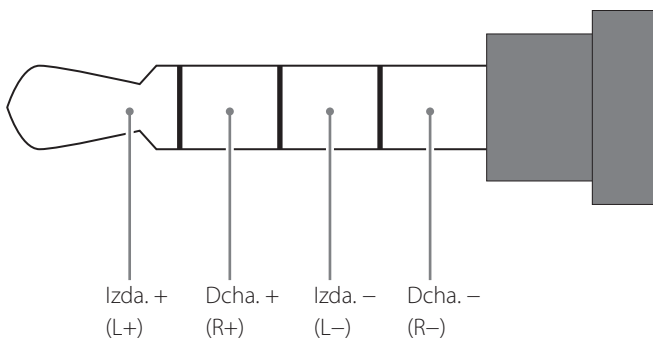
- Para reproducir archivos de música de una unidad flash USB, ajuste la fuente de entrada en NET y utilice la app para la reproducción.
- No conecte ningún ordenador al puerto USB frontal de esta unidad. Para introducir audio desde un ordenador, conéctelo al puerto USB situado en la parte posterior de esta unidad.
- Para más información, consulte el Manual del usuario de TEAC HR Streamer.

H Salida de auriculares PHONES

Conecte aquí unos auriculares con un minijack estéreo de 3,5 mm (página 67).

- Este circuito amplificador de auriculares utiliza un terminal de cuatro polos, con masas de tierra independientes para el canal izquierdo y el derecho. Se pueden utilizar jacks normales con 3 o 4 polos.
- Cuando se conectan unos auriculares a esta unidad, se activa el circuito de salida de auriculares y deja de salir audio por las salidas de audio analógico del panel posterior (LINE OUT).

Ilustración del cableado



I Pantalla

Aquí se visualiza la información sobre la reproducción de audio y las pantallas del menú.

J Mando VOLUME

Se utiliza para ajustar el volumen. Gírelo a la derecha para aumentar el volumen y hacia la izquierda para disminuirlo.

- Para poder ajustar el volumen de salida del audio analógico de esta unidad, ajuste LINE OUT LEVEL en VARIABLE ("Nivel de salida de línea (LINE OUT LEVEL)" en la página 79). Esto permitirá ajustar el nivel de salida del audio analógico utilizando el mando VOLUME de esta unidad.
- Los ajustes de volumen se mantienen independientes para la salida de audio analógico y para la salida de auriculares.

Se puede utilizar la función de sobreconversión con todas las fuentes de entrada (página 78).

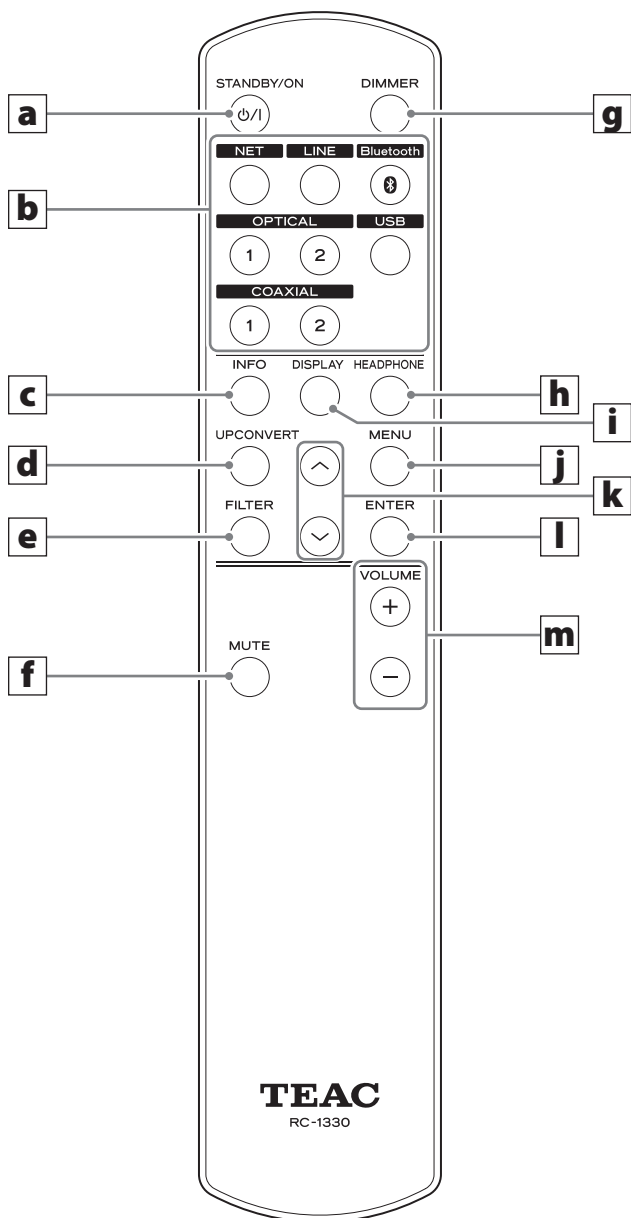
Las relaciones entre las frecuencias de muestreo de entrada y las frecuencias de muestreo después de la sobreconversión son las siguientes:

Fuente de entrada		Ajuste de sobreconversión					
Entrada de audio digital	USB	OFF	2x Fs	4x Fs	8x Fs	DSD 256	DSD 512
Frecuencia de muestreo de entrada		Frecuencia de muestreo después de la sobreconversión					
[kHz]		[kHz]			[MHz]		
32	–	32	64	128	256	8,1	16,3
44,1	44,1	44,1	88,2	176,4	352,8	11,2	22,5
88,2	88,2	88,2	88,2	176,4	352,8	11,2	22,5
176,4	176,4	176,4	176,4	176,4	352,8	11,2	22,5
–	352,8	352,8	352,8	352,8	352,8	11,2	22,5
–	705,6	705,6	705,6	705,6	705,6	11,2	22,5
48	48	48	96	192	384	12,2	24,5
96	96	96	96	192	384	12,2	24,5
192	192	192	192	192	384	12,2	24,5
–	384	384	384	384	384	12,2	24,5
–	768	768	768	768	768	12,2	24,5

Los valores sombreados en gris no están sobreconvertidos.

- La máxima sobreconversión es 8x Fs (8 veces).
- La sobreconversión no es posible cuando la entrada es DSD.
- Durante la reproducción MQA, se utilizará la sobreconversión 4x Fs independientemente del ajuste.

Nombres y funciones de las partes (mando a distancia)



a Botón STANDBY/ON

Púselo para poner la unidad en modo de reposo (standby) o encenderla (on).

b Botones de selección de entrada

Se utilizan para seleccionar la fuente de reproducción.

- El botón LINE no tiene ninguna función.

c Botón INFO

Púselo para mostrar información, incluyendo sobreconversión (página 72).

d Botón UPCONVERT

Púselo para cambiar el ajuste de sobreconversión.

e Botón FILTER

Púselo para cambiar el ajuste de filtro.
Este botón cambia el filtro para la entrada PCM.

f Botón MUTE

Púselo para minimizar el volumen.

g Botón DIMMER

Púselo para ajustar el brillo de la pantalla de la unidad principal.

h Botón HEADPHONE

Púselo para activar o desactivar la salida de auriculares.
Cuando la salida de auriculares está desactivada, el sonido sale por los terminales de salida de audio analógico (LINE OUT).

i Botón DISPLAY

j Botón MENU

Púselo para acceder al modo de ajustes de configuración (página 77).

Dentro del modo de ajustes de configuración, púselo para volver a la pantalla anterior.

k Botones arriba/abajo (^/∨)

Se utilizan para seleccionar apartados de configuración.

l Botón ENTER

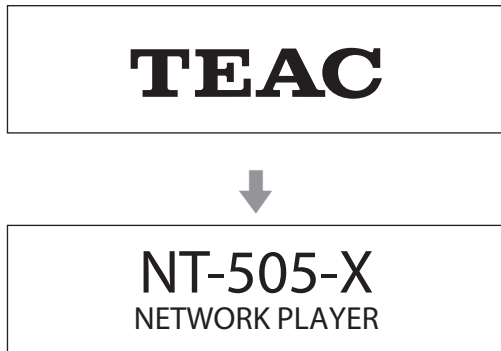
Púselo para confirmar el apartado seleccionado.

m Botones VOLUME (+/-)

Se utilizan para ajustar el volumen.

Quando la unidad principal y el mando a distancia tengan botones con las mismas funciones, este manual explica cómo utilizar uno de ellos. El otro botón correspondiente puede utilizarse de la misma manera.

Al encender



Después de que aparezcan mensajes como los de arriba, en la pantalla se mostrará la fuente de entrada.

Información de la fuente de reproducción

La pantalla de información de fuente de reproducción aparecerá después de encender la unidad y también después de que transcurran aproximadamente 7 segundos sin ninguna operación en una pantalla de ajustes de configuración.

A la derecha de la fuente de reproducción se muestra el formato o el volumen de la señal de entrada. Pulse el botón DISPLAY del mando a distancia para cambiar la información mostrada.

Ejemplo de pantalla

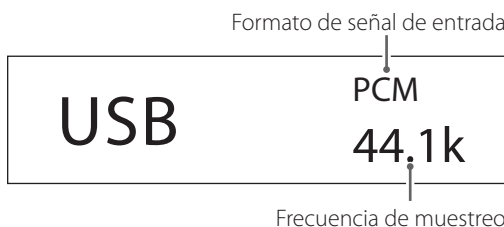
Información de la fuente de reproducción mostrada

Con la reproducción parada



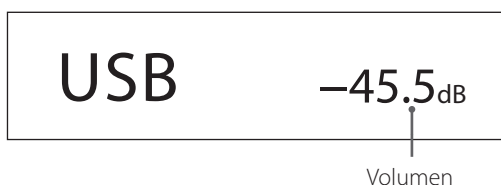
Aparece cuando se está comprobando la conexión

Con la reproducción en marcha



Pulse el botón DISPLAY del mando a distancia.

Pantalla de volumen



Nombre de la fuente de reproducción

Muestra el nombre de la fuente seleccionada.

Los nombres que aparecen en la pantalla se corresponden con los terminales seleccionados como sigue:

Los nombres entre paréntesis aparecen al cambiar.

USB (USB)

Puerto USB del panel posterior

COAX1 (COAXIAL 1)

Terminal de entrada de audio digital coaxial RCA (COAXIAL) del panel posterior.

COAX2 (COAXIAL 2)

Conexión coaxial con la entrada de audio digital (OPT/COAX IN) del panel frontal.

OPT1 (OPTICAL 1)

Terminal de entrada de audio digital óptico (OPTICAL) del panel posterior.

OPT2 (OPTICAL 2)

Conexión óptica con la entrada de audio digital (OPT/COAX IN) del panel frontal.

NET (NETWORK)

Puerto ETHERNET

Bluetooth (Bluetooth)

Dispositivo Bluetooth

Estado de la señal de entrada

Muestra el estado de la señal de la fuente de entrada.

CHECK

La conexión está siendo comprobada.

PCM 32kHz

PCM 44.1kHz

PCM 48kHz

PCM 88.2kHz

PCM 96kHz

PCM 128kHz

PCM 176.4kHz

PCM 192kHz

PCM 256kHz

PCM 352.8kHz

PCM 384kHz

PCM 705.6kHz

PCM 768kHz

DSD 2.8MHz

DSD 5.6MHz

DSD 11.2MHz

DSD 22.5MHz

Muestran el tipo de señal de entrada y la frecuencia de muestreo.

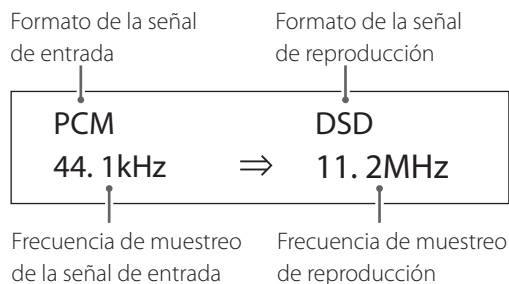
Pantalla (continuación)

Pantalla de información sobre el formato de reproducción

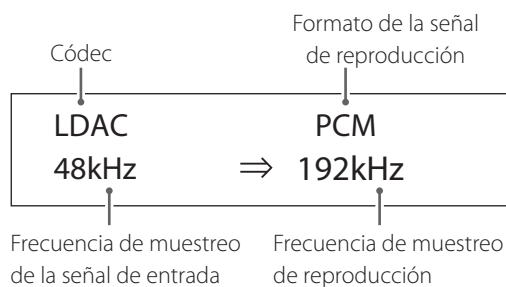
Pulse el botón INFO del mando a distancia durante la reproducción para mostrar la información sobre el formato de reproducción.

Ejemplo cuando la fuente de reproducción es USB, COAX1, COAX2, OPT1 o OPT2

- Las pantallas de información de la señal de entrada y de la señal reproducida serán iguales si el ajuste de sobreconversión es "OFF" (desactivada).



Ejemplo cuando la fuente de reproducción es NET o Bluetooth



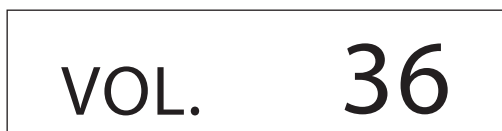
Pantalla de volumen

Se pueden mostrar dos tipos de volumen: pasos (STEP) o dB. Esto se establece mediante el ajuste de configuración del tipo de volumen (VOLUME TYPE) (página 79).

El ajuste de volumen mostrado se agrandará si se gira el mando VOLUME de esta unidad.

VOLUME TYPE ajustado en "STEP (0-100)"

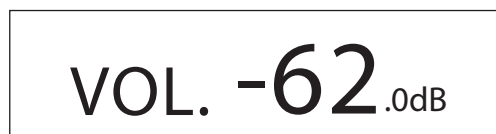
Ejemplo de pantalla



El nivel de volumen máximo es 100 y el mínimo 0. Antes de conectar unos auriculares, ajuste el mando VOLUME al mínimo (0). Si no lo hace, pueden originarse ruidos repentinos a alto volumen capaces de lesionar sus oídos o causar otros problemas.

VOLUME TYPE ajustado en "dB"

Ejemplo de pantalla



El nivel de volumen máximo es 0 y el mínimo $-\infty$ (infinito negativo). Antes de conectar unos auriculares, ajuste el mando VOLUME al mínimo ($-\infty$). Si no lo hace, pueden originarse ruidos repentinos a alto volumen capaces de lesionar sus oídos o causar otros problemas.

El nivel de salida ajustado se muestra cuando LINE OUT LEVEL está ajustado en "FIXED 0dB" o "FIXED +6dB".

Ejemplo cuando VOLUME TYPE está ajustado en "dB"



- Si VOLUME TYPE está ajustado en "STEP (0-100)", en la pantalla se mostrará "VOL. 86" cuando el ajuste sea "FIXED 0dB" y "VOL. 90" cuando el ajuste sea "FIXED +6dB".

Cuando no haya conectados unos auriculares y LINE OUT LEVEL esté ajustado en "OFF", se mostrará "VOL. 0" o " $-\infty$ dB".

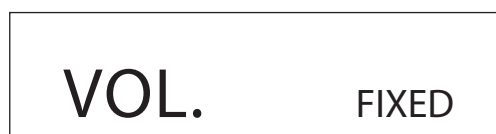
Ejemplo cuando VOLUME TYPE está ajustado en "dB"



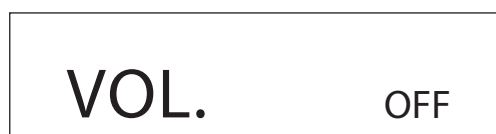
Cuando no hay conectados unos auriculares y LINE OUT LEVEL está ajustado en "FIXED" u "OFF"

Al girar el mando VOLUME aparecerá la siguiente pantalla:

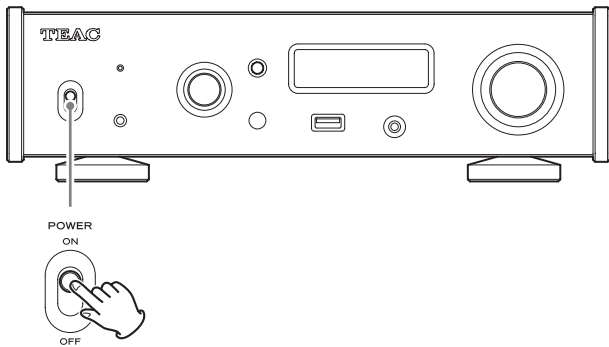
LINE OUT LEVEL ajustado en "FIXED"



LINE OUT LEVEL ajustado en "OFF"

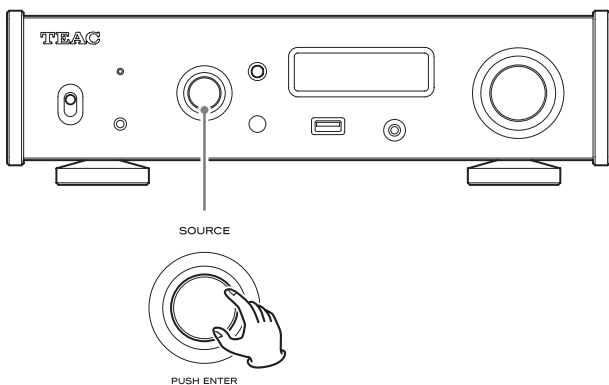


1 Ponga el interruptor POWER en su posición ON para encender la unidad.



- Si hay un amplificador estéreo conectado a esta unidad, enciéndalo lo último.

2 Gire el mando SOURCE para seleccionar la fuente de entrada.



La fuente seleccionada aparecerá en la pantalla.

- También puede utilizar los botones de selección de entrada del mando a distancia.
- Si la señal de entrada no es una señal de audio digital o es un formato de señal de audio que esta unidad no admite, como por ejemplo Dolby Digital o DTS, no se emitirá audio. Configure la salida digital del dispositivo conectado como salida de audio PCM.
- Para reproducir archivos de audio cuando en esta unidad está seleccionada la fuente USB, primero debe instalar un controlador (driver) específico en el ordenador antes de conectarlo a la unidad (página 81).
- Los datos DSD solo pueden reproducirse cuando la fuente de entrada es USB o NET (incluidas unidades flash USB) o cuando se utiliza entrada digital en formato DoP.
- Para utilizar NET o el puerto USB frontal, instale la app TEAC HR Streamer (gratuita) en un smartphone o tablet y conecte dicho dispositivo a la misma red que la unidad.

3 Ponga en marcha el dispositivo de reproducción.

Consulte el manual de instrucciones de dicho dispositivo.

4 Ajuste el volumen.

Cuando utilice las salidas de línea

Cuando LINE OUT LEVEL esté ajustado en VARIABLE, gire el mando VOLUME de esta unidad para ajustar el volumen.

Cuando LINE OUT LEVEL esté ajustado en cualquier otra opción, no podrá ajustar el volumen desde esta unidad. Utilice el amplificador estéreo u otro dispositivo conectado a esta unidad para ajustar el volumen.

Cuando haya unos auriculares conectados a esta unidad

Gire el mando VOLUME de esta unidad para ajustar el volumen.

- Cuando el mando VOLUME de esta unidad esté activo, se mostrará el ajuste de volumen.

Tecnología inalámbrica Bluetooth®

Notas sobre Bluetooth®

Cuando utilice esta unidad con un teléfono móvil u otros dispositivos Bluetooth, ambos no deberán estar alejados uno de otro más de 10 metros.

Dependiendo de las circunstancias de utilización, sin embargo, la distancia de transmisión efectiva podría ser inferior.

No está garantizada la comunicación inalámbrica con todos los dispositivos compatibles con la tecnología inalámbrica Bluetooth.

Para determinar la compatibilidad entre esta unidad y otro dispositivo compatible con la tecnología inalámbrica Bluetooth, remítase al manual de instrucciones de dicho dispositivo o póngase en contacto con el establecimiento donde lo adquirió.

Perfiles

Esta unidad es compatible con los siguientes perfiles Bluetooth:

- A2DP (Advanced Audio Distribution Profile, "Perfil de distribución de audio avanzado" en español).
- AVRCP (Audio/Video Remote Control Profile, "Perfil de control remoto de audio/vídeo" en español).

Para transferir audio mediante una transmisión inalámbrica Bluetooth, el dispositivo Bluetooth ha de ser compatible con A2DP.

Para controlar la reproducción del dispositivo Bluetooth, este tiene que ser compatible con AVRCP.

Aunque un dispositivo Bluetooth sea compatible con estos mismos perfiles, sus funciones podrían diferir según sus especificaciones.

Códecs

Esta unidad es compatible con los siguientes códecs y seleccionará uno de ellos automáticamente durante la transferencia de audio:

- SBC
- AAC
- Qualcomm® aptX™ audio
- Qualcomm® aptX™ HD audio
- LDAC

La unidad seleccionará el códec apropiado según la compatibilidad del otro dispositivo Bluetooth y las condiciones de comunicación.

LDAC es una tecnología de codificación de audio desarrollada por Sony que permite la transmisión de contenido de audio de alta resolución (Hi-Res) incluso a través de una conexión Bluetooth.

A diferencia de otras tecnologías de codificación compatibles con Bluetooth, como SBC, funciona sin realizar conversión descendente sobre el contenido de audio de alta resolución* y permite transmitir a través de una red inalámbrica Bluetooth aproximadamente tres veces más de datos** que otras tecnologías con una calidad de sonido sin precedentes, y esto es posible gracias a una codificación eficiente y a una paquetización optimizada.

* Excluidos contenidos en formato DSD.

** En comparación con la tecnología SBC (Subband Coding) cuando se selecciona una velocidad de bits de 990 kbps (96/48 kHz) o 909 kbps (88,2/44,1 kHz).

NOTA

- No se puede seleccionar el códec que se va a utilizar pulsando un botón, por ejemplo.
- Debido a las características de la tecnología inalámbrica Bluetooth, la reproducción a través de esta unidad estará ligeramente retrasada en comparación con la reproducción en el dispositivo Bluetooth.

Protección de contenido

Esta unidad es compatible con SCMS-T, un método de protección de contenido cuando se transmite audio, de forma que puede reproducir audio protegido.

Seguridad de transmisión

Esta unidad admite funciones de seguridad durante la transmisión inalámbrica Bluetooth de acuerdo con las especificaciones Bluetooth estándar, pero no garantiza la privacidad de dichas transmisiones.

TEAC CORPORATION no asumirá ninguna responsabilidad en caso de que se produzca una fuga o pérdida de información durante la transmisión inalámbrica Bluetooth.

Emparejamiento con otro dispositivo Bluetooth

El emparejamiento de esta unidad con otro dispositivo Bluetooth es necesario la primera vez que se utiliza y cuando se conecta a un dispositivo Bluetooth diferente por primera vez.

1 Gire el mando SOURCE para seleccionar Bluetooth.



2 Active la transmisión Bluetooth en el otro dispositivo Bluetooth.

3 Pulse y mantenga pulsado el mando SOURCE para entrar en el modo de emparejamiento.



- "PAIRING..." (emparejando) parpadeará en la pantalla.

4 En el otro dispositivo Bluetooth, seleccione "NT-505-X" (esta unidad).

Después de que esta unidad haya entrado en modo de emparejamiento, emparejela desde el otro dispositivo Bluetooth. Para más información, remítase al manual de instrucciones del otro dispositivo Bluetooth.

Después de la conexión, la pantalla mostrará el nombre del dispositivo conectado seguido de la fuente de entrada.

Ejemplo de pantalla



Reproducción desde un dispositivo Bluetooth

- Empareje esta unidad la primera vez que la utilice y cuando quiera conectarla con un nuevo dispositivo Bluetooth (página 75).
- Cuando empareje o conecte esta unidad con otro dispositivo Bluetooth, ambos deberán estar separados pocos metros el uno del otro. Si están demasiado separados, el emparejamiento y la posterior conexión podrían resultar imposibles.

1 Active la transmisión Bluetooth en el otro dispositivo Bluetooth.

2 Gire el mando SOURCE para seleccionar Bluetooth.

Así se pondrá la fuente de entrada en Bluetooth.

- También puede utilizar el botón Bluetooth del mando a distancia.

Ejemplo de pantalla



Esta unidad buscará dispositivos emparejados y se conectará automáticamente con uno si lo encuentra.

ATENCIÓN

Dependiendo del dispositivo fuente, es posible que también sea necesario efectuar operaciones de conexión en él.

Si no se puede efectuar la conexión correctamente, consulte el manual de instrucciones del dispositivo fuente.

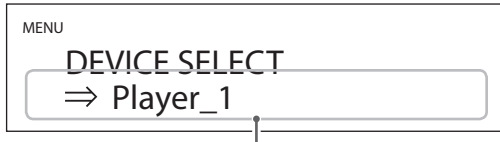
Tecnología inalámbrica Bluetooth® (continuación)

Cambiar el dispositivo conectado

1 Pulse el mando SOURCE para mostrar en pantalla DEVICE SELECT.

La línea inferior de la pantalla mostrará el nombre del último dispositivo conectado.

Ejemplo de pantalla



Nombre del último dispositivo conectado

2 Gire el mando SOURCE para mostrar en pantalla los dispositivos Bluetooth ya emparejados.

- La unidad puede recordar un máximo de ocho emparejamientos de dispositivos.
- Si no hay ningún emparejamiento disponible, la pantalla aparecerá como sigue:



- Pulse y mantenga pulsado el mando ENTER para entrar en el modo de emparejamiento (página 75).
- Se muestran los primeros 16 caracteres del nombre del dispositivo.
- Si el nombre del dispositivo contiene caracteres que no sean letras o números del idioma inglés, no se mostrará correctamente.

3 Pulse el mando SOURCE para establecer la conexión.

Después de la conexión, la pantalla mostrará la fuente de entrada.

ATENCIÓN

- Independientemente del estado de la conexión entre esta unidad y el otro dispositivo Bluetooth, si no aparece en pantalla la fuente de entrada, reinicie tanto esta unidad como el otro dispositivo y después vuelva a conectarlos.
- Dependiendo del dispositivo fuente, es posible que también sea necesario efectuar operaciones de conexión en él. Si no se puede efectuar la conexión correctamente, consulte el manual de instrucciones del dispositivo fuente.

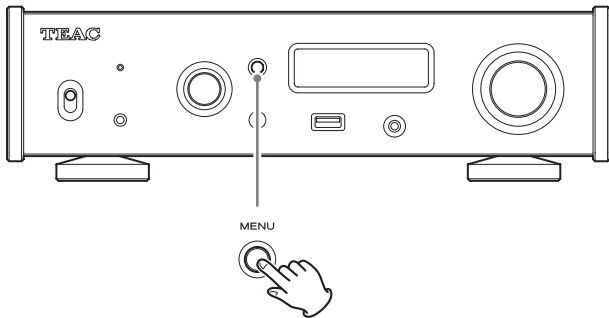
4 Comience la reproducción en el otro dispositivo Bluetooth.

- Confirme que el volumen está subido en el otro dispositivo Bluetooth. Si no sube el volumen en el dispositivo de reproducción, esta unidad podría no emitir sonido.

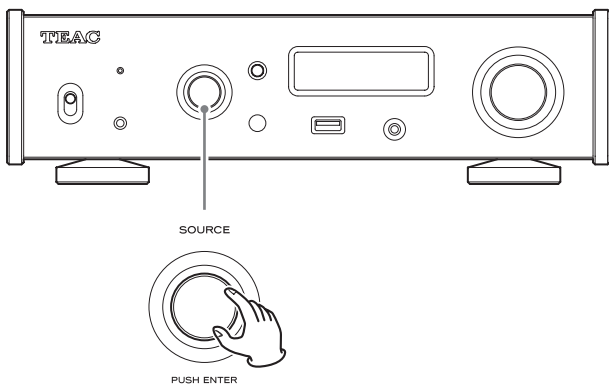
NOTA

Pulse y mantenga pulsado el botón MENU para borrar un dispositivo emparejado.

1 Pulse el botón MENU para abrir la pantalla del menú.

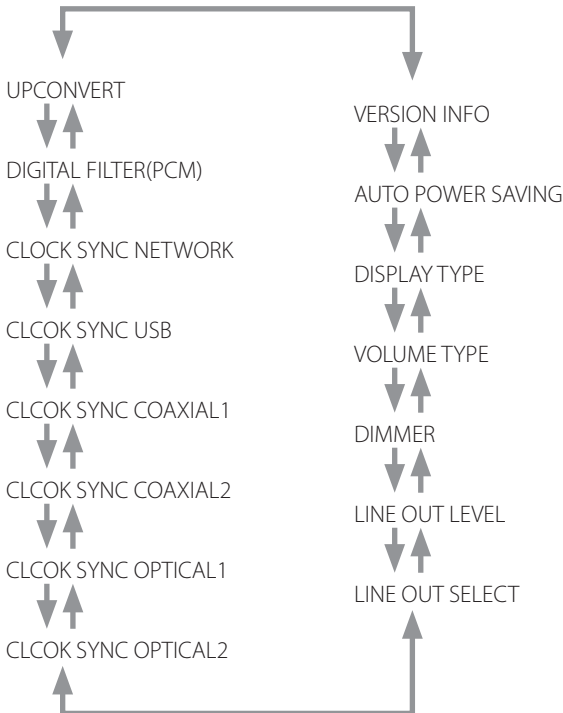


2 Gire el mando SOURCE para mostrar el apartado que quiera ajustar.

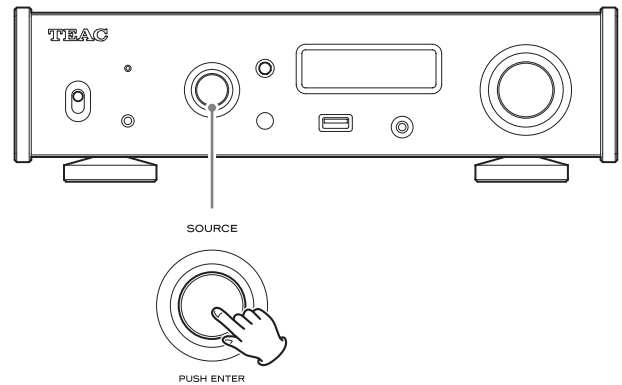


- También puede utilizar los botones arriba y abajo (∧, ∨) del mando a distancia.

Los apartados del menú aparecen en el siguiente orden:



3 Pulse el mando SOURCE.



- También puede pulsar el botón ENTER del mando a distancia.
- El valor seleccionado en ese momento se muestra en la pantalla.

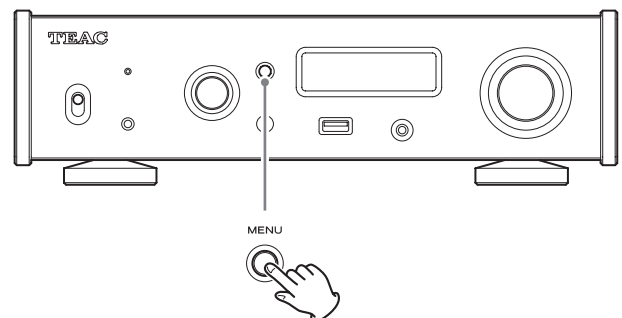
4 Gire el mando SOURCE para cambiar el valor del ajuste.

- También puede utilizar los botones arriba y abajo (∧, ∨) del mando a distancia.
- Pulse el botón MENU para volver a la selección de apartados de configuración.

5 Pulse el mando SOURCE.

- También puede pulsar el botón ENTER del mando a distancia.

6 Cuando haya terminado de cambiar los ajustes, pulse el botón MENU para mostrar de nuevo el estado de la fuente de entrada.



- Si no efectúa ninguna operación durante aproximadamente 7 segundos, la pantalla volverá a mostrar el estado de la fuente de entrada.

Ajustes de configuración (continuación)

Sobreconversión (UPCONVERT)

Se utiliza para activar el circuito de sobreconversión cuando se reciben señales PCM.

- Consulte la página 69 para más información sobre las relaciones entre las frecuencias de muestreo de entrada y las frecuencias de muestreo después de la sobreconversión.
- Durante la reproducción MQA, se utilizará la sobreconversión 4x Fs independientemente del ajuste.



OFF

La señal de entrada original es enviada directamente al convertidor D/A sin sobreconversión.

2x Fs

Si la señal de audio de entrada es inferior a una frecuencia de muestreo estándar multiplicada por 2, se sobreconvierte multiplicándose por 2 y después se envía al convertidor D/A.

4x Fs

Si la señal de audio de entrada es inferior a una frecuencia de muestreo estándar multiplicada por 4, se sobreconvierte multiplicándose por 4 y después se envía al convertidor D/A.

8x Fs

Si la señal de audio de entrada es inferior a una frecuencia de muestreo estándar multiplicada por 8, se sobreconvierte multiplicándose por 8 y después se envía al convertidor D/A.

DSD 256

DSD 512

La fuente de entrada se convierte a formato digital DSD y después se envía al convertidor D/A.

Filtro digital PCM (DIGITAL FILTER (PCM))

Establece el tipo de filtro digital utilizado al convertir señales PCM de digitales a analógicas.



Sincronización de reloj (CLOCK SYNC)

- La sincronización de reloj es posible cuando la fuente de entrada es USB, COAXIAL 1/2, OPTICAL 1/2 o NETWORK (incluyendo unidades flash USB).



OFF

No se utiliza sincronización de reloj.

ON

El reloj maestro de esta unidad se sincronizará con la entrada de reloj de 10 MHz a través del terminal de entrada de sincronización de reloj CLOCK SYNC (10MHz IN).

ATENCIÓN

Para utilizar la sincronización de reloj con "COAXIAL 1/2" u "OPTICAL 1/2", el dispositivo de salida de audio digital conectado debe ser compatible con la sincronización de reloj y estar sincronizado al mismo dispositivo de salida de reloj que esta unidad.

Si solo esta unidad está sincronizada al dispositivo de salida de reloj, puede producirse ruido al sonar la reproducción.

Salida de línea (LINE OUT SELECT)

Se utiliza para seleccionar los terminales por los que va a salir el audio analógico.

- No es posible la salida por los terminales RCA y XLR a la vez.



RCA

La salida es a través de los terminales RCA.

XLR (HOT 2)

La salida es a través de los terminales XLR con polaridad 2 = VIVO (POSITIVO).

XLR (HOT 3)

La salida es a través de los terminales XLR con polaridad 3 = VIVO (POSITIVO).

Nivel de salida de línea (LINE OUT LEVEL)

Se utiliza para seleccionar el nivel del audio que se envía a los terminales de salida de audio analógico (LINE OUT).



FIXED 0dB

El nivel de salida máximo es 2 Vrms. Seleccione esa opción si desea ajustar el volumen mediante un amplificador.

- No saldrá sonido si hay unos auriculares conectados.

FIXED +6dB

El nivel de salida máximo es 4 Vrms. Seleccione esa opción si desea ajustar el volumen mediante un amplificador.

- No saldrá sonido si hay unos auriculares conectados.
- Si el sonido distorsiona, cambie el ajuste a FIXED 0dB.

VARIABLE

Esta opción permitirá el ajuste del nivel de la salida analógica mediante el mando VOLUME. Selecciónela si desea ajustar el volumen utilizando esta unidad.

- No saldrá sonido si hay unos auriculares conectados.

OFF

No saldrá sonido en ningún caso.

Brillo de la pantalla (DIMMER)



DARK

Pantalla oscura.

SLIGHTLY BRIGHT

Iluminación atenuada.

BRIGHT

Iluminación brillante.

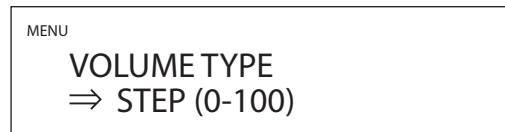
AUTO OFF

Se apaga automáticamente.

- La pantalla permanece apagada incluso aunque la unidad esté encendida.

Pantalla de volumen (VOLUME TYPE)

Establece cómo se muestra el volumen.



STEP (0-100)

Muestra el volumen en pasos de 0 (mínimo) a 100 (máximo).

dB

Muestra el volumen en decibelios (dB).

Indicación de pantalla (DISPLAY TYPE)

Selecciona la información mostrada a la derecha de la fuente de reproducción.



VOLUME

Se muestra el volumen.

SAMPLING FREQ.

Se muestra información sobre la fuente de reproducción.

Ajustes de configuración (continuación)

Función de ahorro de energía automático (AUTO POWER SAVING)

Esta unidad tiene una función de ahorro de energía automático.

- La función de ahorro de energía automático viene activada de fábrica.



OFF

La función de ahorro de energía automático está desactivada.

ON

La unidad entra en modo de reposo (standby) automáticamente si no se emite audio ni se realiza ninguna operación durante aproximadamente 30 minutos.

Pantalla de información (Version info)

Muestra la versión del firmware utilizado por la unidad.



SYSTEM

La versión de firmware del microordenador.

USB

La versión de firmware del módulo USB.

Bluetooth

La versión de firmware del módulo Bluetooth.

NETWORK

La versión de firmware del módulo de red.

Sistemas operativos compatibles

Esta unidad se puede conectar a través de USB para utilizarse con un ordenador que funcione con uno de los sistemas operativos indicados a continuación.

No se garantiza el funcionamiento con otros sistemas operativos (a mayo de 2023).

Si se utiliza Mac

macOS High Sierra (10.13)
macOS Mojave (10.14)
macOS Catalina (10.15)
macOS Big Sur (11)
macOS Monterey (12)
macOS Ventura (13)

Si se utiliza Windows

Windows 8 (32/64 bits)
Windows 8.1 (32/64 bits)
Windows 10 (32/64 bits)
Windows 11

Instalación del controlador (driver)

Si se utiliza Mac

Esta unidad puede funcionar con el controlador o "driver" estándar del sistema operativo, por lo que no hace falta instalar ningún controlador. Sin embargo, para utilizar Bulk Pet, es necesario instalar un controlador específico.

Si se utiliza Windows

Para utilizar esta unidad para la reproducción de archivos en un ordenador, instale el controlador o "driver" específico en el ordenador.

ADVERTENCIA IMPORTANTE

Debe instalar el software controlador (driver) específico antes de conectar esta unidad a un ordenador a través de un cable USB.

Si conecta la unidad al ordenador a través de USB antes de instalar el controlador, no funcionará correctamente.

Dependiendo del hardware y del software del ordenador, puede darse el caso de que el funcionamiento no sea posible incluso con los sistemas operativos mencionados anteriormente.

Instalación del controlador en el ordenador

Instale el software controlador específico en el ordenador después de descargarlo de la página indicada a continuación.

Para más información sobre los procedimientos de instalación y ajustes del sistema operativo, consulte la guía de instalación "TEAC ASIO USB DRIVER Installation Guide" incluida con el controlador.

Sitio web internacional de TEAC

<https://teac.jp/int/product/nt-505-x/download>

Nota sobre los modos de transmisión

Esta unidad puede transferir datos mediante modo isócrono o Bulk Pet.

Las frecuencias de muestreo que se pueden transmitir son 44,1 kHz, 48 kHz, 88,2 kHz, 96 kHz, 176,4 kHz, 192 kHz, 352,8 kHz, 384 kHz, 705,6 kHz y 768 kHz.

Una vez realizada correctamente la conexión, podrá seleccionar "TEAC USB AUDIO DEVICE" como salida de audio del sistema operativo del ordenador.

- Los datos de audio enviados desde el ordenador serán procesados utilizando el reloj de esta unidad durante la transmisión de datos, permitiendo la reducción de fluctuaciones (jitter).

Descarga de la aplicación de reproducción TEAC HR Audio Player

Puede descargar las versiones para Mac y Windows de nuestra aplicación gratuita TEAC HR Audio Player, que es compatible con la reproducción de archivos DSD, desde el sitio web internacional de TEAC (<https://teac.jp/int/>).

https://teac.jp/int/product/hr_audio_player/download

Nota sobre la configuración de TEAC HR Audio Player

Para reproducir grabaciones DSD a 22,5 MHz con TEAC HR Audio Player, abra la ventana "Configure" (Configuración) y ajuste "Decode mode" (Modo de decodificación) en "DSD Native" (DSD nativo).

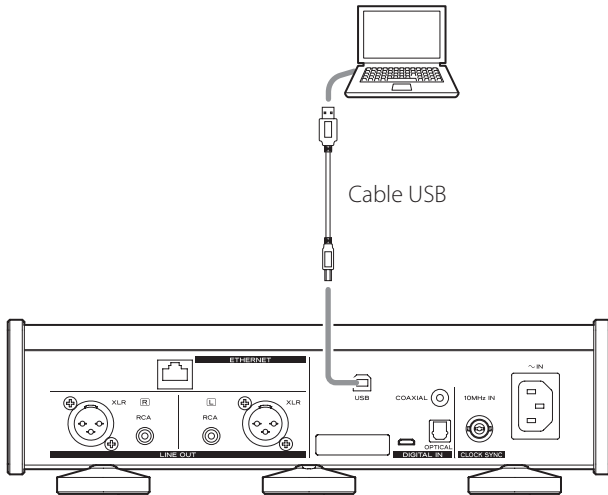
Para reproducir otros formatos que no sean DSD a 22,5 MHz, la configuración puede ser indistintamente "DSD over PCM" (DSD sobre PCM) o "DSD Native" (DSD nativo), como prefiera.

Para más información, consulte "Selecting the DSD decode mode" (Seleccionar el modo de decodificación DSD) en el Manual del usuario de TEAC HR Audio Player.

Reproducción de música en un ordenador (continuación)

Reproducción de archivos de audio desde un ordenador

1 Conecte el puerto USB de la parte posterior de esta unidad al ordenador con un cable USB.

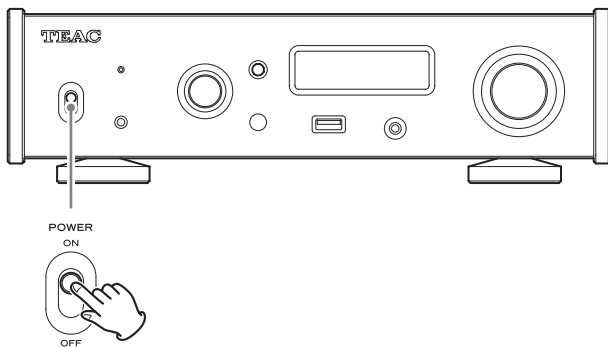


- Use un cable con el conector adecuado para esta unidad.

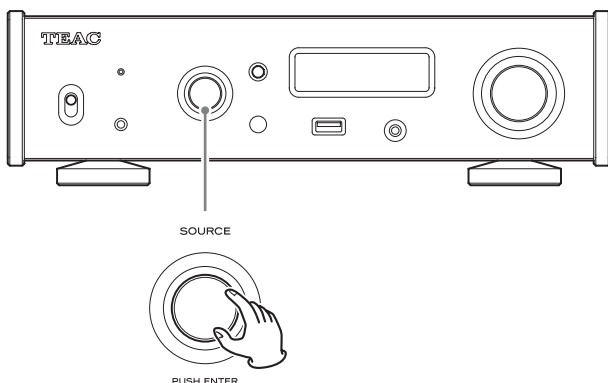
2 Encienda el ordenador.

- Confirme que el sistema operativo se ha iniciado correctamente.

3 Ponga el interruptor POWER en su posición ON para encender la unidad.



4 Gire el mando SOURCE para seleccionar USB.



5 Comience a reproducir un archivo de audio en el ordenador.

Conseguirá mejor calidad de sonido si pone al máximo el volumen de salida del ordenador y ajusta el volumen de escucha desde el amplificador estéreo.

Ponga al mínimo el volumen del amplificador estéreo antes de empezar la reproducción y luego súbalo gradualmente.

Cuando vaya a utilizar unos auriculares conectados a esta unidad, gire el mando VOLUME hacia la izquierda para bajar el volumen al mínimo antes de ponérselos y luego súbalo gradualmente.

- El ordenador y esta unidad no pueden controlarse el uno al otro.
- No lleve a cabo ninguna de las acciones indicadas a continuación cuando reproduzca archivos de audio mediante USB. Si lo hace, podría causar anomalías de funcionamiento en el ordenador. Salga siempre del software de reproducción de audio antes de llevar a cabo cualquiera de las siguientes acciones:
 - Desconectar el cable USB.
 - Apagar la unidad o ponerla en modo de reposo (standby).
 - Cambiar la selección de entrada actual.
- Al reproducir archivos de audio mediante USB, también sonarán los sonidos propios del funcionamiento del ordenador. Si no desea que se escuchen estos sonidos, realice los ajustes adecuados en el ordenador para silenciarlos.
- Si conecta esta unidad al ordenador o cambia la entrada a USB después de haber iniciado el software de reproducción de audio, puede que los archivos de audio no se reproduzcan correctamente. Si esto ocurre, reinicie el software de reproducción de audio o reinicie el ordenador.

MQA (Master Quality Authenticated)

MQA es una galardonada tecnología británica que proporciona el sonido de la grabación máster original. El archivo MQA máster está totalmente certificado y es lo suficientemente pequeño como para transmitirse por secuencias (streaming) o descargarse.

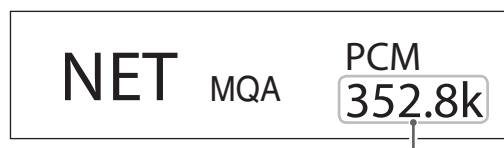
Encontrará más información en mqa.co.uk.

El NT-505-X incluye tecnología MQA, que permite reproducir archivos y transmisiones por "streaming" de audio MQA con el sonido de la grabación máster original.

"MQA" o "MQA." indica que el producto está decodificando y reproduciendo una transmisión por "streaming" o un archivo MQA, y denota la procedencia para garantizar que el sonido es idéntico al del material de origen. "MQA." indica que está reproduciendo un archivo MQA Studio que, o bien ha sido aprobado en el estudio por el artista/productor, o bien ha sido verificado por el propietario de los derechos.

- Esta unidad puede decodificar transmisiones de secuencias (streaming) y archivos MQA solo cuando la fuente de reproducción es NET.

Ejemplo de pantalla durante la reproducción MQA



Frecuencia de muestreo original

Solución de problemas

Si tiene un problema con esta unidad, por favor dedique un momento a revisar la información que le proporcionamos a continuación antes de solicitar servicio técnico. Si aun así no funciona correctamente, póngase en contacto con el distribuidor donde compró la unidad.

General

La unidad no se enciende.

- ➔ Compruebe que el cable de corriente está bien conectado en la toma de electricidad. Si la toma de electricidad tiene un interruptor, confirme que este se encuentra en la posición de activado.
- ➔ Conecte un dispositivo eléctrico diferente en la toma de electricidad para confirmar que suministra corriente.
- ➔ Si la función de ahorro de energía automático ha hecho que la unidad entre en reposo (standby), pulse el botón STANDBY/ON del mando a distancia para volver a encender la unidad.

No sale sonido.

- ➔ Si hay un amplificador estéreo conectado a esta unidad, ajuste su volumen.
- ➔ Si está utilizando unos auriculares conectados a esta unidad, utilice el mando VOLUME para ajustar el volumen.
- ➔ Utilice el mando SOURCE para seleccionar la entrada que esté conectada a la fuente que desee escuchar.
- ➔ Reconfirme las conexiones con los demás componentes del equipo.

Se escucha un zumbido.

- ➔ Si hay un cable de conexión cerca de un cable de corriente, de un fluorescente o de otra causa de interferencias similar, aumente la distancia entre ellos tanto como sea posible.

No se oye sonido por un lado de los auriculares.

- ➔ Compruebe que el jack de los auriculares está bien insertado hasta el fondo.

Sincronización de reloj

El indicador CLOCK no deja de parpadear.

- ➔ Configure la sincronización de reloj en OFF (desactivada) cuando no se utilice.
- ➔ No es posible la sincronización con la señal de reloj que está entrando. Compruebe las conexiones de los terminales de sincronización de reloj y los ajustes del dispositivo conectado.

ES

Solución de problemas (continuación)

Conexiones con un ordenador

El ordenador no reconoce esta unidad.

- ➔ Consulte la página 81 para más información sobre los sistemas operativos compatibles. No está garantizado el funcionamiento con sistemas operativos no compatibles.

Se produce ruido.

- ➔ Iniciar otras aplicaciones durante la reproducción de un archivo de audio puede interrumpir la reproducción o causar ruido. No inicie otras aplicaciones durante la reproducción.
- ➔ Si la unidad se conecta a un ordenador a través de un "hub" (concentrador) USB, por ejemplo, puede oírse ruido. Si es el caso, conecte la unidad directamente al ordenador.

No se pueden reproducir archivos de audio.

- ➔ Conecte esta unidad al ordenador y seleccione USB como entrada de esta unidad antes de iniciar el software de reproducción de audio. Si conecta esta unidad al ordenador o selecciona la entrada USB después de haber iniciado el software de reproducción de audio, puede que los archivos de música no se reproduzcan correctamente.

Función Bluetooth

No se puede mostrar el nombre del dispositivo.

- ➔ Esta unidad no puede mostrar en pantalla símbolos o caracteres de doble byte, incluidos los japoneses y chinos. Utilice solo números y letras del idioma inglés para los nombres de los dispositivos Bluetooth conectados a esta unidad.

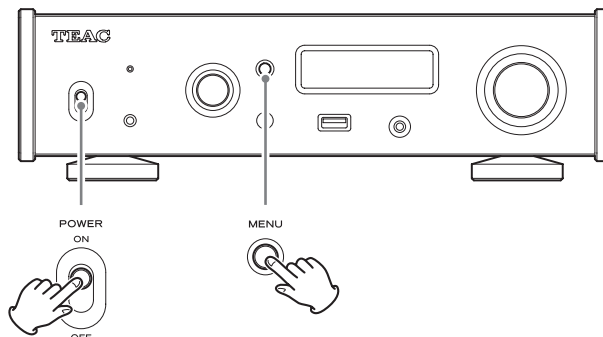
No se puede cambiar el dispositivo Bluetooth conectado.

- ➔ Esta unidad no puede tener conexiones Bluetooth con múltiples dispositivos Bluetooth al mismo tiempo. Para cambiar el dispositivo conectado a esta unidad por Bluetooth, finalice la conexión con el dispositivo Bluetooth conectado en ese momento antes de establecer la conexión con otro dispositivo Bluetooth.

Dado que esta unidad utiliza un microcontrolador, ruidos externos y otras interferencias pueden producir anomalías de funcionamiento en la unidad. Si esto ocurre, desenchufe el cable de corriente, espere un rato y después vuelva a encender la unidad para restablecer el funcionamiento.

Restablecer los ajustes predeterminados

- 1** Mientras mantiene pulsado el botón **MENU**, ponga el interruptor **POWER** en **ON** (activado).

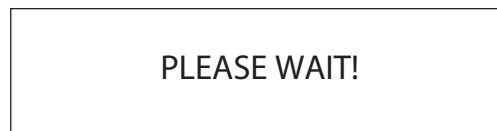


- 2** Sulte el botón **MENU** cuando aparezca el menú **FACTORY RESET** (restablecer los valores de fábrica).



- 3** Pulse el mando **SOURCE**.

El restablecimiento empezará cuando aparezca "PLEASE WAIT!" (por favor, espere).



La pantalla de fuente de reproducción aparecerá después de que haya terminado el restablecimiento de los valores predeterminados.

Ejemplo de pantalla



ATENCIÓN

- No ponga la unidad en reposo (standby) hasta que aparezca la pantalla de fuente de reproducción.
 - Esta operación restablecerá todos los ajustes, incluidos los ajustes de red, a sus valores predeterminados de fábrica.
- Los ajustes predeterminados de fábrica son los valores de los ajustes mostrados en las imágenes de pantallas utilizadas en las explicaciones de este manual.

Salidas de audio analógico

Terminales

Terminales XLR 1 par (izda./dcha.)

Terminales RCA 1 par (izda./dcha.)

Impedancia de salida XLR: 188 Ω
RCA: 150 Ω

Nivel de salida máximo (1 kHz/escala completa, a 10 kΩ)

FIXED 0dB XLR/RCA: 2 Vrms

FIXED +6dB XLR/RCA: 4 Vrms

VARIABLE XLR: 12 Vrms
RCA: 6 Vrms

Respuesta de frecuencias* 5 Hz – 80 kHz (+1 dB/–5 dB)

Relación señal/ruido* 110 dB (ponderado A, 1 kHz)

Distorsión* 0,0015 % (1 kHz, LPF: 20 Hz – 20 kHz)

* Condiciones de medición

Señal de entrada: 192 kHz/24 bits PCM

Salida de medición: RCA

Filtro digital PCM: ON (activado)

Salida de auriculares

Terminal Minijack estéreo de 4 polos, 3,5 mm × 1

Potencia de salida efectiva máx. 500 mW + 500 mW (a 32 Ω)

Rango de impedancia compatible 16–600 Ω

Entradas de audio digital**

Digital COAXIAL Terminal RCA × 1
Minijack de 3,5 mm*** × 1
(también es posible la conexión con miniconector de 3,5 mm mediante un cable adaptador de RCA a miniconector).
(0,5 Vp-p, 75 Ω)

Digital OPTICAL Conector cuadrado × 1
Conector redondo*** × 1
(de –24 a –14,5 dBm en picos)

Unidad flash USB Puerto USB tipo A (frontal) × 1
(conforme normativa USB 2.0)

USB Puerto USB tipo B (posterior) × 1
(conforme normativa USB 2.0)

LAN 1000BASE-T

Frecuencia de muestreo de datos PCM

Digital COAXIAL
32 kHz, 44,1 kHz, 48 kHz, 88,2 kHz, 96 kHz, 176,4 kHz, 192 kHz

Digital OPTICAL
32 kHz, 44,1 kHz, 48 kHz, 88,2 kHz, 96 kHz, 176,4 kHz, 192 kHz

USB 44,1 kHz, 48 kHz, 88,2 kHz, 96 kHz, 176,4 kHz, 192 kHz
352,8 kHz, 384 kHz, 705,6 kHz, 768 kHz

Unidad flash USB/red. 32 kHz, 44,1 kHz, 48 kHz, 88,2 kHz, 96 kHz,
176,4 kHz, 192 kHz, 352,8 kHz, 384 kHz

Profundidad de bits de cuantización

Digital COAXIAL/digital OPTICAL 16/24 bits
USB/unidad flash USB/red 16/24/32 bits

Frecuencia de muestreo de datos DSD

Digital COAXIAL/digital OPTICAL 2,8 MHz
(admitida con transmisión DoP a 176,4 kHz/24 bits)

USB 2,8 MHz, 5,6 MHz, 11,2 MHz, 22,5 MHz
Unidad flash USB/red 2,8 MHz, 5,6 MHz

** Consulte el Manual del usuario de TEAC HR Streamer para más información sobre unidades flash USB y redes.

*** Este terminal de entrada se puede utilizar tanto para conexión óptica como coaxial.

Función Bluetooth

Versión Bluetooth 4.2

Clase de salida Clase 2

(distancia de transmisión sin obstáculos**** 10 m)

Perfiles compatibles A2DP, AVRCP

Códecs A2DP compatibles SBC, AAC, Qualcomm® aptX™ audio,
Qualcomm® aptX™ HD audio, LDAC

Protección de contenidos A2DP compatible SCMS-T

Número máximo de emparejamientos almacenados 8

**** La distancia de transmisión es aproximada. La distancia de transmisión puede variar dependiendo del entorno medioambiental y las ondas electromagnéticas de las inmediaciones.

Entrada de sincronización de reloj

Terminal BNC

Frecuencia de muestreo de entrada 10 MHz

Impedancia de entrada 50 Ω

Nivel de entrada Onda rectangular: equivalente a niveles TTL
Onda senoidal: de 0,5 a 1 Vrms

General

Alimentación

Modelo para Europa CA 220–240 V, 50/60 Hz

Modelo para EE. UU./Canadá CA 120 V, 60 Hz

Consumo de corriente 20 W

Corriente en reposo 0,4 W (en modo “standby”)

Dimensiones externas (ancho × alto × profundo, salientes incluidos)
290 mm × 84,5 mm × 248,7 mm

Peso 4,1 kg

Temperatura de funcionamiento de +5 °C a +35 °C

Humedad de funcionamiento de 5 % a 85 % (sin condensación)

Temperatura de almacenamiento de –20 °C a +55 °C

Accesorios incluidos

Cable de corriente × 1

Cable de conversión RCA (de RCA a miniconector) × 1

Mando a distancia (RC-1330) × 1

Pilas para el mando a distancia (AAA) × 2

Almohadillas × 3

Manual del usuario (este documento, incluida la garantía) × 1

- Los usuarios que vivan en EE. UU. y Canadá encontrarán información sobre la garantía en las páginas 86–87 y en la contraportada (documento de garantía). Los usuarios que vivan en Europa y otras áreas deben consultar la página 87.

- El Manual del usuario de TEAC HR Streamer se puede descargar desde el sitio web internacional de TEAC (<https://teac.jp/int/>).

- El diseño y las especificaciones están sujetos a cambios sin previo aviso.

- El peso y las dimensiones son aproximados.

- Las ilustraciones de este manual pueden diferir ligeramente de los modelos de producción.

WARRANTY/GARANTIE/GARANTÍA

Warranty provisions (United States and Canada only)

Length of Warranty

The parts and labor warranty will be effective for one (1) year from the date of the original purchase for products not used for commercial purposes. For products used commercially, the warranty is ninety (90) days for magnetic heads and optical pickups, one (1) year for all other parts and ninety (90) days for labor.

Who Is Covered Under This Warranty

This warranty is valid only in the United States or Canada, dependent upon the country in which original purchase was made, and enforceable only by the original purchaser within the country in which the purchase was made.

This warranty is not valid if the product was purchased through an unauthorized dealer.

What Is Not Covered Under This Warranty

- Damage to or deterioration of the external cabinet.
- Damage resulting from accident, misuse, abuse, or neglect.
- Damage resulting from failure to follow instructions contained in the products owners' manual or otherwise provided with the product.
- Damage occurring during shipment of the product (Claims must be presented to the carrier).
- Damage resulting from the repair or attempted repair by anyone other than TEAC or an authorized TEAC service station.
- Damage resulting from modification or attempted modification of product not authorized by TEAC.
- Damage resulting from causes other than product defects, including lack of technical skills, competence, or experience of the user.
- Damage to any unit that has been altered or which the serial number has been defaced, modified or removed.

What TEAC Will Pay For

TEAC will pay all labor and material expenses for items covered by the warranty. Payment of shipping charges is covered in the next section.

How To Obtain Warranty Service

Your unit must be serviced by an authorized TEAC service station within the country in which the product was purchased. If you are unable to locate an authorized service station in your area, please contact TEAC at the applicable address shown at the end of this warranty statement. PLEASE DO NOT RETURN YOUR UNIT TO TEAC WITHOUT OUR PRIOR AUTHORIZATION. You must pay shipping charges if it is necessary to ship the product for service. However, if the necessary repairs are covered by warranty, we will pay the return shipping charges to any destination within the country in which the product was purchased. Whenever warranty service is required, you must present the original dated sales receipt, or other proof indicating the purchase place and date, as proof of warranty coverage.

LIMITATION OF IMPLIED WARRANTIES

ALL IMPLIED WARRANTIES, INCLUDING WARRANTIES OF MERCHANTABILITY AND FITNESS FOR A PARTICULAR PURPOSE, ARE LIMITED IN DURATION TO THE LENGTH OF THIS WARRANTY.

EXCLUSION OF DAMAGES

TEAC'S LIABILITY FOR ANY DEFECTIVE PRODUCT IS LIMITED TO REPAIR OR REPLACEMENT OF THE PRODUCT, AT TEAC'S OPTION. TEAC SHALL NOT BE LIABLE FOR DAMAGE BASED UPON INCONVENIENCE, LOSS OF USE OF THE PRODUCT, INTERRUPTED OPERATION, COMMERCIAL LOSS OR LOST PROFITS, OR ANY OTHER DAMAGES, WHETHER INCIDENTAL, CONSEQUENTIAL, PUNITIVE OR OTHERWISE.

SOME STATES OR PROVINCES DO NOT ALLOW LIMITATIONS ON HOW LONG AN IMPLIED WARRANTY LASTS AND/OR DO NOT ALLOW THE EXCLUSION OR LIMITATION OF INCIDENTAL OR CONSEQUENTIAL DAMAGES, SO THE ABOVE LIMITATIONS AND EXCLUSIONS MAY NOT APPLY TO YOU.

THIS WARRANTY GIVES YOU SPECIFIC RIGHTS, AND MAY VARY FROM SOME OF THE RIGHTS PROVIDED BY LAW. THESE RIGHTS MAY VARY FROM STATE TO STATE OR PROVINCE TO PROVINCE.

Conditions de garantie (États-Unis et Canada uniquement)

Durée de la garantie

La garantie pièces et main d'oeuvre sera valable un (1) an à compter de la date d'achat initial des produits non utilisés dans un but commercial. Pour les produits à utilisation commerciale, la garantie des têtes magnétiques et capteurs optiques est de quatre-vingt dix (90) jours, elle est d'un (1) an pour les autres pièces et quatre-vingt dix (90) jours pour la main d'oeuvre.

Bénéficiaire de la garantie

Cette garantie n'est valable qu'aux États-Unis et au Canada, selon le pays d'achat initial, et ne s'applique qu'à l'acquéreur initial dans le pays d'achat. Cette garantie n'est pas valable si le produit a été acheté auprès d'un revendeur non autorisé.

Ce qui n'est pas couvert par cette garantie

- Les dommages ou détériorations du boîtier externe.
- Les dommages résultant d'un accident, d'une mauvaise utilisation, d'un abus ou d'une négligence.
- Les dommages résultant du non-respect des instructions contenues dans le mode d'emploi du produit ou fournies avec le produit.
- Les dommages survenus durant le transport du produit (les réclamations doivent être adressées au transporteur).
- Les dommages résultant d'une réparation ou tentative de réparation effectuée par toute personne extérieure au service après-vente TEAC ou agréé par TEAC.
- Les dommages résultant d'une modification ou tentative de modification de produit non autorisée par TEAC.

- Les dommages résultant de causes autres que des défauts de produit, y compris le manque d'aptitude technique, de compétence ou d'expérience de l'utilisateur.
- Les dommages de toute unité ayant été modifiée ou dont le numéro de série a été effacé, modifié ou retiré.

Frais pris en charge par TEAC

TEAC prendra en charge tous les frais de pièces et main d'oeuvre pour les articles couverts par la garantie. Les frais d'expédition sont évoqués dans la section suivante.

Comment obtenir une intervention sous garantie

Votre unité doit être réparée par un service après-vente agréé par TEAC dans le pays d'achat du produit. Si vous ne trouvez pas de service après-vente agréé dans votre région, veuillez contacter TEAC à l'adresse appropriée donnée à la fin de cette garantie. VEUILLEZ NE PAS RENVOYER VOTRE UNITÉ CHEZ TEAC SANS NOTRE AUTORISATION PRÉALABLE. Si le produit doit être renvoyé pour réparation, les frais d'expédition sont à votre charge. Toutefois, si les réparations nécessaires sont couvertes par la garantie, nous prendrons à notre charge les frais de retour vers toute destination dans le pays d'achat du produit. Lorsqu'une réparation sous garantie est requise, vous devez présenter comme preuve de couverture par la garantie la facture d'achat originale datée ou une autre preuve d'achat mentionnant le lieu et la date d'achat.

LIMITATION DES GARANTIES IMPLICITES

TOUTES LES GARANTIES IMPLICITES, Y COMPRIS LES GARANTIES DE QUALITÉ MARCHANDE ET D'ADÉQUATION À UN USAGE PARTICULIER, SONT LIMITÉES À LA DURÉE DE CETTE GARANTIE.

EXCLUSION DE DOMMAGES

LA RESPONSABILITÉ DE TEAC VIS-À-VIS DE TOUT PRODUIT DÉFECTUEUX EST LIMITÉE À LA RÉPARATION OU AU REMPLACEMENT DU PRODUIT, AU GRÉ DE TEAC. TEAC NE POURRA ÊTRE TENU POUR RESPONSABLE DE QUELCONQUES DOMMAGES SE RAPPORTANT AU DÉRANGEMENT, À LA PERTE D'USAGE DU PRODUIT, À L'INTERRUPTION DE L'UTILISATION, AUX PERTES COMMERCIALES OU DE PROFITS, NI D'AUCUN AUTRE DOMMAGE, QU'IL SOIT ACCESSOIRE, INDIRECT, PUNITIF OU AUTRE.

CERTAINS ÉTATS OU PROVINCES N'AUTORISENT PAS DE LIMITATIONS DE DURÉE D'UNE GARANTIE IMPLICITE ET/OU N'AUTORISENT PAS L'EXCLUSION OU LA LIMITATION DES DOMMAGES ACCESSOIRES OU INDIRECTS, AUQUEL CAS LES LIMITATIONS ET EXCLUSIONS CI-DESSUS PEUVENT NE PAS VOUS ÊTRE APPLICABLES.

CETTE GARANTIE VOUS DONNE DES DROITS SPÉCIFIQUES QUI PEUVENT ÊTRE DIFFÉRENTS DE CERTAINS DROITS OCTROYÉS PAR LA LOI. CES DROITS PEUVENT VARIER D'UN ÉTAT À L'AUTRE OU D'UNE PROVINCE À L'AUTRE.

Europe/Europa

This product is subject to the legal warranty regulations of the country of purchase. In case of a defect or a problem, please contact the dealer where you bought the product.

Ce produit est sujet aux réglementations concernant la garantie légale dans le pays d'achat. En cas de défaut ou de problème, veuillez contacter le revendeur chez qui vous avez acheté le produit.

Las condiciones de garantía de este aparato están sujetas a las disposiciones legales sobre garantía del país en el que ha sido adquirido. En caso de garantía, debe dirigirse al establecimiento donde adquirió el aparato.

In countries/regions other than the USA, Canada and Europe

This warranty gives you specific legal rights, and you may also have other rights that vary by country, state or province.

If you have a warranty claim or request, please contact the dealer where you bought the product.

该保证书赋予了顾客特定的合法权利,并且因国家,州或省等地区的不同,顾客可能拥有其他权利。如需申请或要求保修,请与购买本产品的销售店进行联系。

WARRANTY/GARANTIE (United States and Canada only/États-Unis et Canada uniquement)

Model/Modèle : **NT-505-X**

Serial No./N° de série

Owner's address/Adresse du propriétaire

Date of purchase/Date de l'achat

Dealer's name/Nom du revendeur

Sample

Owner's name/Nom du propriétaire

Dealer's address/Adresse du revendeur

TEAC

TEAC CORPORATION

1-47 Ochiai, Tama-shi, Tokyo 206-8530, Japan
<https://teac.jp/int/>

This product has a serial number located on the rear panel. Please write it here and retain this for your records.

Model name: NT-505-X

Serial number: _____