
ISO · SERIES

Series Stands
for Audio Speakers
and Studio Monitors



Installation Guide



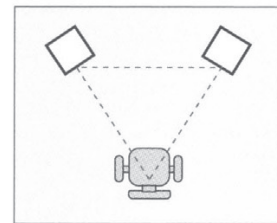
Congratulations on your purchase of the Installation Guide award-winning **IsoAcoustics ISO-Series** series of speaker stands for audio speakers and studio monitors. You're well on your way to getting superior, authentic and accurate sound.

We've incorporated PIF principles in acoustics to deliver this unique, patented "floating" architecture:

Placement/Proximity – reduces reflections by raising the speakers or monitors off the supporting surfaces and away from adjacent surfaces.

Isolation – reduces vibrational energy from exciting other objects through decoupling the speakers or monitors from the supporting surface; speakers and enclosures float independently.

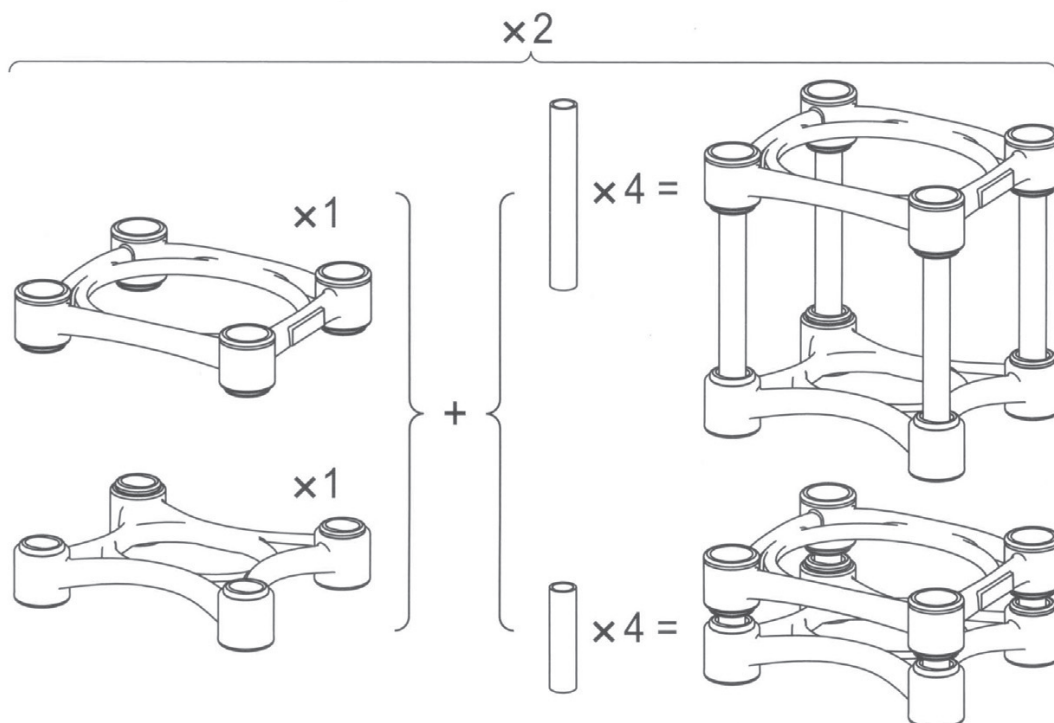
Focus – creates the ideal listening position; raising and tilting speakers and monitors to form an equilateral triangle from the speakers to the listener. The more directional frequencies emitted by the tweeters can be tilted to the level of the listener's ear, greatly improving the stereo soundstage.



The **ISO-Series** stands have isolators that feature a unique bi-directional design that responds to the energy in audio speakers and studio monitors while resisting lateral motion.

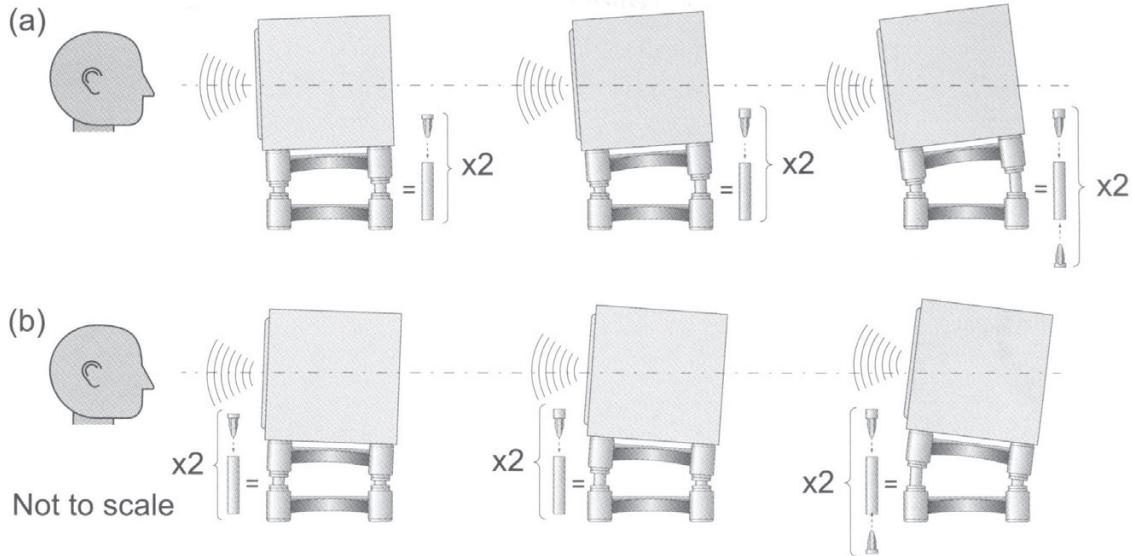
For optimum performance the stand should be rotated to be aligned in the same direction as the speaker cabinet, and with the cabinet resting directly on upper isolators.

Each kit contains the following items (sufficient for two speakers):



Installation Guide

1. Select either the long or short tubes to get the appropriate height for the speaker to achieve optimal audio performance.
2. Fit the inserts in either the front tubes to tilt the speaker upwards or in the back tubes for a downward tilt, if necessary. Some examples are illustrated below:



3. Inserts are always installed as an identical pair - both at the back for a forward tilt (a), or both in the front for a backward tilt (b).
4. Complete step 3 before firmly pressing the tubes into the isolators.
5. Complete assembly by firmly pressing the top and bottom isolators in place.
6. Check that the speaker is securely in place and will not slip or fall off the assembly.
7. Check that the surrounding surface will support the full weight of the speaker plus the stand.

Assembly instruction video can be found at:

www.isoacoustics.com/iso-l8r-series-isolation-stands-instruction-video/



IsoAcoustics warrants the ISO-Series products against evident defects in material and workmanship for a period of two years from the date of original purchase. This warranty does not cover mechanical damage resulting from misuse or abuse, lack of reasonable care, damage due to force majeure or natural forces. IsoAcoustics shall not be liable for any special, indirect, direct or consequential damages to other products or property.



IsoAcoustics Inc.
4981 HWY 7 East, Unit 12A, Suite 160
Markham ON, Canada L3R 1N1
www.isoacoustics.com