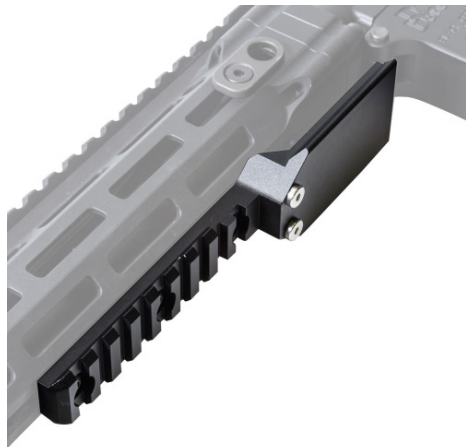




ARCATINNY MOUNT ADAPTER



**HEAVY DUTY
CONSTRUCTION**



USER MANUAL

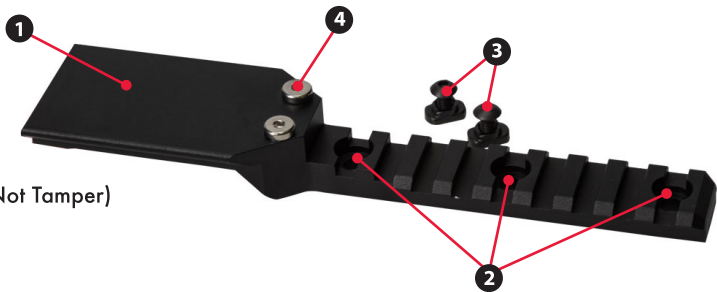
EU-KJ89005

ARCATINNY MOUNT ADAPTER

The Arcatinny Mount Adapter M-LOK rail attaches your firearm to Arca Swiss or Picatinny Reaper Rails and aftermarket Arca Swiss or Picatinny tripods and bases. The aluminum-constructed adapter measures 2.75 x 1.5 x 0.7 inches and weighs 0.19 ounces and mounts to M-LOK rails.

DIAGRAM

1. Arca Swiss Plate
2. M-LOK Screw Holes
3. M-LOK Screws
4. Slide Stop Screws (Do Not Tamper)



MOUNTING

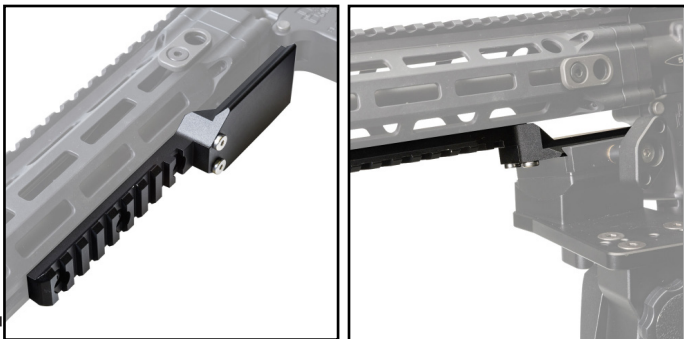
The KJI Arcatinny Mount installs on the bottom side of your firearm's M-LOK rail attachment system, preferably just forward of the magazine well. The Arcatinny Mount includes both Picatinny and Arca Swiss sections for versatile mounting.

To mount onto your firearm, use the mounting screws to attach the Arcatinny Mount Adapter to an M-LOK rail and tighten.

OPERATION

To use either the Picatinny or Arca Swiss elements of this mount simply attach the firearm to a compatible rail mounting system like the Kopfjäger Reaper Rail Picatinny or Arca Swiss system. Tighten the mount's knob or lever to lock the mount (and firearm) into place.

Note: The greatest benefit to Arca Swiss firearm mounting is rapid installation and detachment of the firearm from the mount. Only minimal tightening or loosening is required to hold or release an Arca-Swiss rail section; however, in position, Arca Swiss is incredibly stable and secure.



WARNING

Before handling or using the Arcatinny Mount Adapter, read and understand the contents of your Arcatinny Mount Adapter, firearm and Reaper Rail manuals.

- Do not exceed the tripod's maximum load capacity. (see your tripod's manual)
- Ensure the Arcatinny mount is tightly fastened to the firearm.
- Ensure your desired rest system is holding the Arcatinny Mount Adapter securely.
- Always remove the firearm from any rest system before transporting.

MAINTENANCE

Before, after, and during normal operation, it is suggested that you routinely check all of your mount's connection points and ensure all screws are still firmly set in the proper place.

SPECIFICATIONS:

GENERAL DESCRIPTION	
Brand Name	KJI
Model Name	Arcatinny Mount Adapter
Category Name	Accessories
SKU Number	EU-KJ89005
UPC Number	812495029530
TECHNICAL SPECIFICATIONS	
Dimensions, mm	69 x 38,1 x 17,8
Material	Aluminum
Weight, g	86
INCLUDED ACCESSORIES	
	M-LOK Screws
FEATURES	
	Attaches firearm to Acra Swiss or Picatinny Reaper Rail
	Can mount firearm to aftermarket Arca-swiss tripods and bases
	Mounts to M-LOK rails

Please visit www.KJIprecision.com for warranty details and information